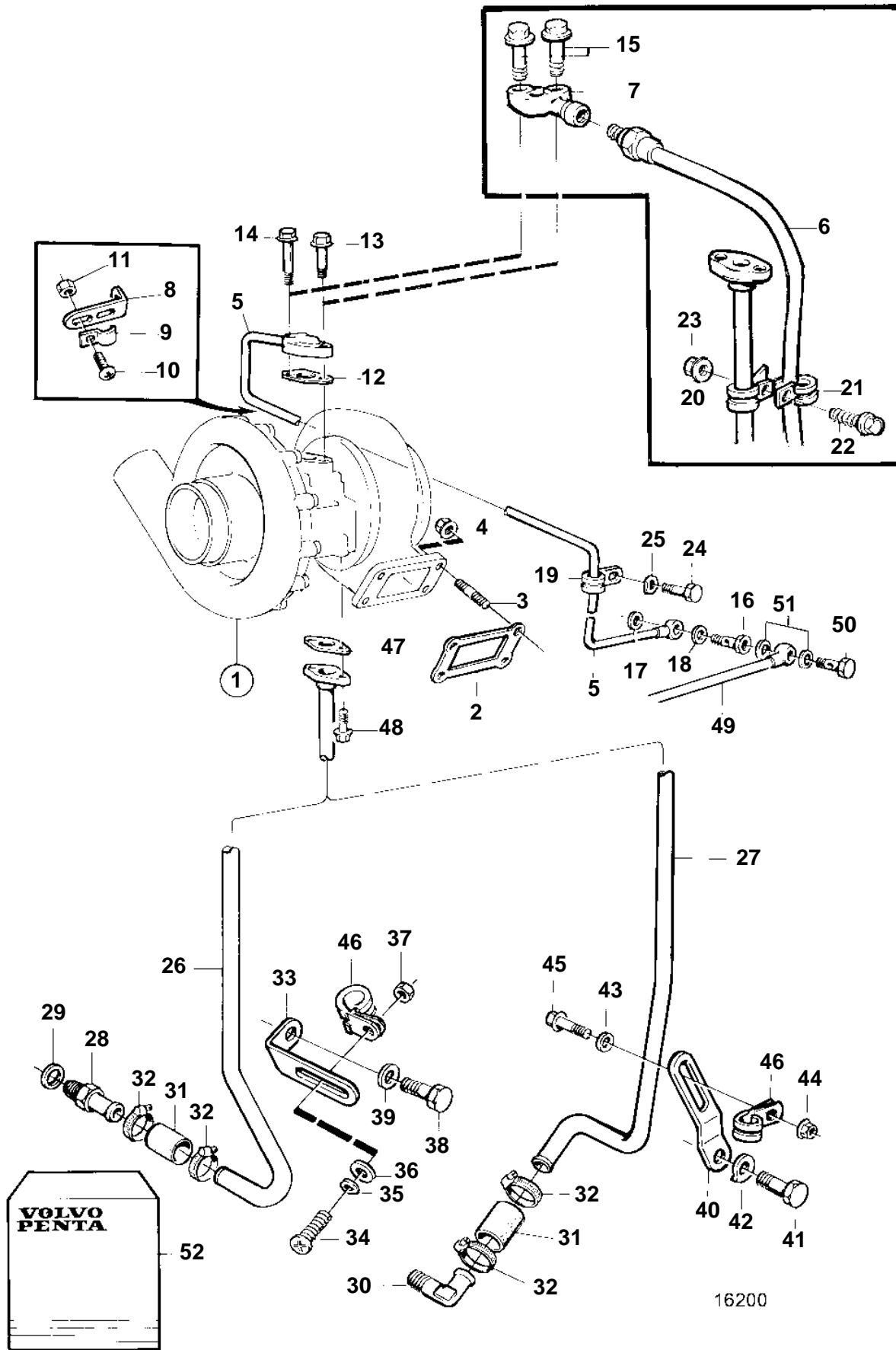


TWD1030ME



TWD1030ME

REF	PART NO.	QTY	DESCRIPTION	SEE SEC.	NOTES
1	865812	1	Turbo		
	3802077	1	Turbocharger, exch		Exchange unit
				2107	
2	422779	1	Gasket		Included in gasket kit for connecting of turbocharger.
3	468892	4	Stud		
4	478346	4	Nut		
5	865763	1	Oil feed pipe		STD
	422952	1	Oil feed pipe		SN-XXXXXXXXXX/278328. For turbo mounted low.
6	1676847	1	Oil feed pipe		SNXXXXXXXXXX/278329-. For turbo mounted low.
7	477961	1	Flange		SNXXXXXXXXXX/278329-. For turbo mounted low.
8	965559	1	Bracket		
9	968200	1	Clamp		
10	950046	1	Screw		
11	955825	1	Nut		
12	420641	1	Gasket		Included in gasket kit for connecting of turbocharger.
13	946173	1	Flange screw		L=20mm
14	945444	1	Flange screw		L=25mm
15	946470	2	Flange screw		
16	479464	1	Hollow screw		
17	942703	1	Gasket		Included in gasket kit for connecting of turbocharger.
18	11998	1	Gasket		Included in gasket kit for connecting of turbocharger.
19	952626	1	Clamp		STD
	946834	1	Clamp		SN-XXXXXXXXXX/278328. For turbo mounted low.
20	1545432	2	Clamp		SNXXXXXXXXXX/278329-. For turbo mounted low.
21	949746	2	Clamp		SNXXXXXXXXXX/278329-. For turbo mounted low.
22	944926	2	Flange screw		
23	945408	2	Flange nut		
24	950045	1	Screw		
25	941906	1	Spring washer		
26	865762	1	Pipe		STD
27	1545084	1	Oil return pipe	SO	For turbo mounted low.
28	941875	1	Nipple		
29	18677	1	Gasket		
30	468629	1	Elbow nipple		
31	466328	1	Rubber hose		
32	943474	2	Hose clamp		
33	965560	1	Bracket		
34	950046	1	Screw		
35	941906	1	Spring washer		
36	955893	1	Washer		
37	955825	1	Nut		
38		1	Screwfuel inj. pump bracket		
39		1	Washerfuel inj. pump bracket		
40	414692	1	Bracket		
41	955534	1	Screw		
42	942336	1	Spring washer		
43	955893	1	Washer		
44	945407	1	Flange nut		
45	945358	1	Flange screw		
46	946834	1	Clamp		
47	420643	1	Gasket		Included in gasket kit for connecting of turbocharger.
48	965215	2	Screw		
49		1	Pipeinjection timing device	217	
50	969299	1	Hollow screw		
51	11994	2	Gasket		
52	876354	1	Gasket kit, turbo connect.		