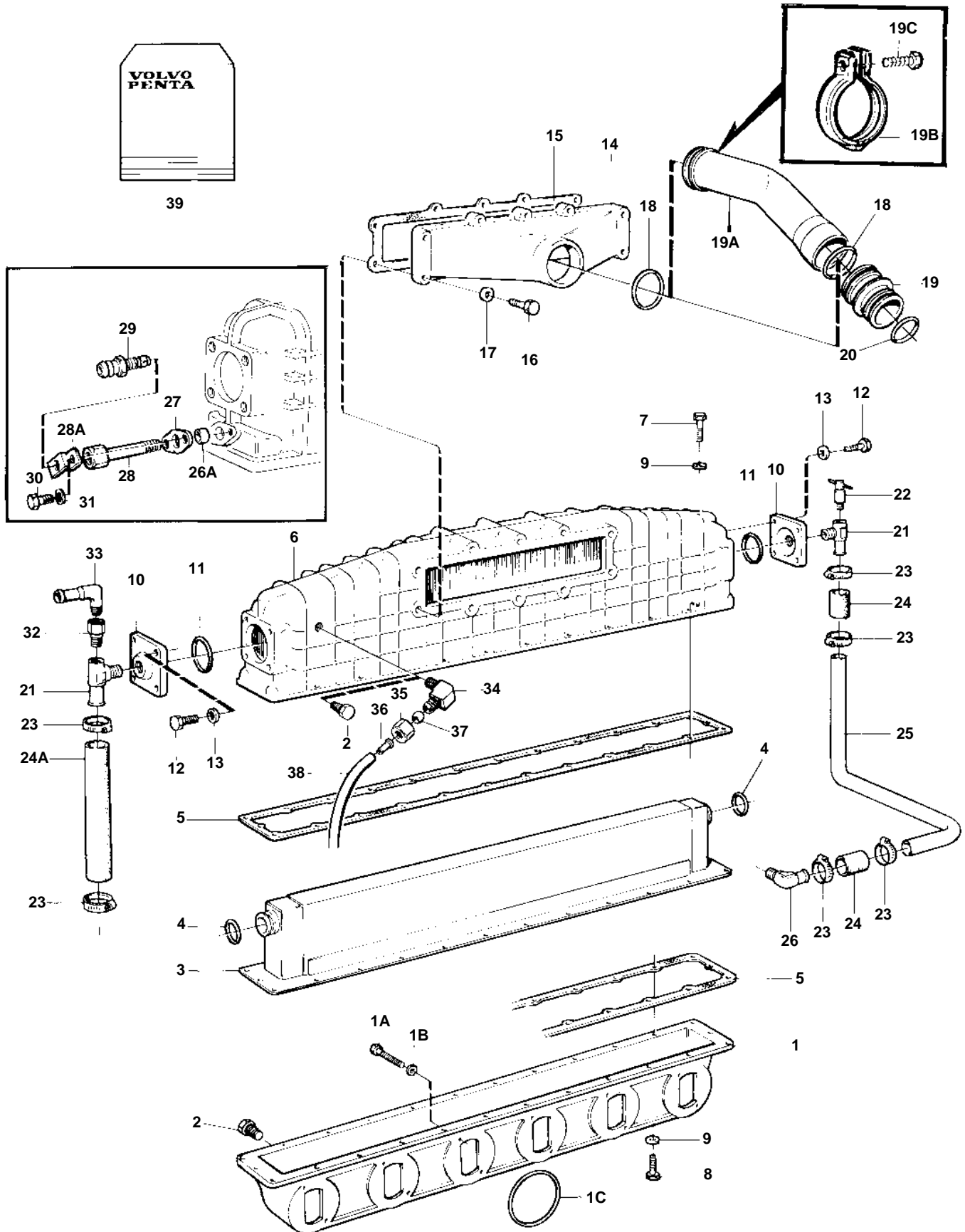


TWD1030ME



16199

**TWD1030ME**

REF	PART NO.	QTY	DESCRIPTION	SEE SEC.	NOTES
1	847675	1	Inlet pipe, incl. starter element		
				178	
1A	955531	3	Screw		L=89mm
	955533	2	Screw		L=102mm
	959793	5	Screw		L=114mm
	959796	2	Screw		L=152mm
1B	941907	12	Spring washer		
1C	469829	6	Rubber ring		Included in gasket kit 876025 for induction manifold+intercooler.
2	191026	3	Plug		
3	866457	1	Intercooler		(424808)
4	469668	2	O-ring		Included in gasket kit 876025 for induction manifold+intercooler.
5	469661	2	Gasket		Included in gasket kit 876025 for induction manifold+intercooler.
6	424802	1	Tube	SO	
7	956572	10	Screw		
8	940186	16	Screw		
9	941907	26	Spring washer		Included in gasket kit 876025 for induction manifold+intercooler.
10	4778372	2	Flange		
11	925094	2	O-ring		Included in gasket kit 876025 for induction manifold+intercooler.
12	955525	8	Screw		
13	955894	8	Washer		Included in gasket kit 876025 for induction manifold+intercooler.
14	469659	1	Tube		
15	469662	1	Gasket		Included in gasket kit 876025 for induction manifold+intercooler.
16	940161	10	Screw		
17	955894	10	Washer		(941907). Included in gasket kit 876025 for induction manifold+intercooler.
18	469508	1	Sealing ring		I.D=64mm. Included in gasket kit 876025 for induction manifold+intercooler.
	469508	2	Sealing ring		I.D=64mm. For turbo mounted low.
19	469510	1	Intermediate pipe		
19A	866192	1	Connection pipe		SN-2100286769. For turbo mounted low.
	3826338	1	Connection pipe		SN2100286770-. For turbo mounted low.
19B	1542778	1	Clamp		SN2100276205-2100286769
19C	949335	1	Screw		SN2100276205-2100286769
20	469509	1	Sealing ring		I.D=57mm. Included in gasket kit 876025 for induction manifold+intercooler.
21	943516	2	Elbow nipple		
22	82744	1	Tap		
23	943474	6	Hose clamp		
24	943369	X	Hose		L=2x75mm
24A	943369	X	Hose, therm. housing		L=130mm
25	847435	1	Tube		
26	467716	1	Elbow nipple, cylinder block		(961610)
26A	3825051	1	Sealing ring		SNXXXXXXXXXX/264758-
27	424807	1	Flange		Replaced by 3825050 + 3825051 + 11031112 + 3825067.
	3825050	1	Flange		SNXXXXXXXXXX/264758-
28	11031109	1	Tap		Replaced by 3825050 + 3825051 + 11031112 + 3825067.
	3825067	1	Tap		SNXXXXXXXXXX/264758-
28A	11031112	1	Lock plate		SNXXXXXXXXXX/264758-
29	966723	1	Peg		
30	955513	2	Screw		
31	949607	2	Spring washer		
32	862109	1	Nipple, air venting		
33	180283	1	Elbow union, air venting		
34		1	Fittingsmoke limiter	224	

