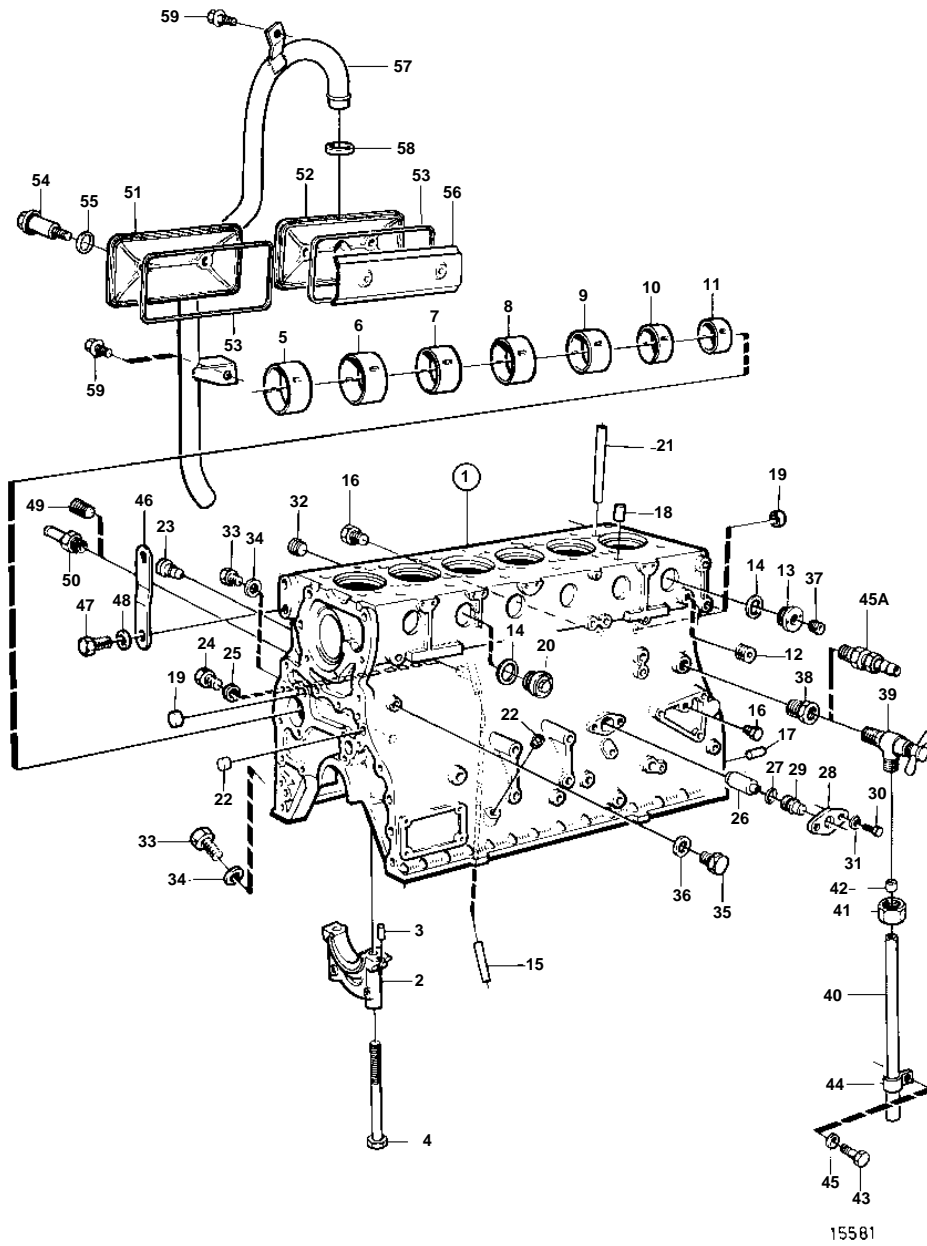


TD100G-87



TD100G-87

REF	PART NO.	QTY	DESCRIPTION	SEE SEC.	NOTES
1	479650	1	Cylinder block		Spare part design.
2		7	· Bearing cap		
3	422426	1	· Pin		
4	422067	14	· Screw		
5	422076	1	· Bushing, camshaft		
6	422077	1	· Bushing, camshaft		
7	422078	1	· Bushing, camshaft		
8	422079	1	· Bushing, camshaft		
9	422080	1	· Bushing, camshaft		
10	422081	1	· Bushing, camshaft		
11	422082	1	· Bushing, camshaft		
12	952075	1	· Plug, 1/4-NPTF		
13	821335	1	· Plug		
14	469328	7	· Gasket		
15	468563	1	· Pipe		
16	191026	7	· Plug, 1/8-NPTF		
17	191171	2	· Pin		
18	950543	12	· Pin		
19	955083	2	· Cap plug		
20	467367	5	· Plug		
21		1	· Pipe		
22	955082	4	· Cap plug		
23	422369	2	· Plug		
24		1	· Plug, 9/16-UNF		
25	969011	1	· Gasket		
26	424801	1	· Pipe		
27	949657	1	· O-ring		
28	424714	1	· Flange		
29	424715	1	· Plug		
30	955513	2	· Screw		
31	941906	2	· Spring washer		
32	952075	1	Plug, 1/4-NPTF		
33	948187	2	Plug, 3/4-UNF		
34	18818	2	Gasket		
35	180761	1	Plug		
36	11996	1	Gasket		
37	479977	1	Plug		
45A	949918	1	Drain cock		LATE TYPE
46		1	Lifting eye		
47	955561	2	Screw		
48	940280	2	Spring washer		
49	479977	1	Plug, 1/2-NPTF		
50	961654	1	Nipple, air compr.		
51	423120	2	Inspection cover		
52	423121	1	Inspection cover, crankcase vent.		
53	469823	3	Gasket		
54	422541	6	Screw		
55	471856	6	Sealing ring		
56	422542	1	Splash plate		
57	422757	1	Pipe, crankcase vent.	SO	STD
		X	Crankcase ventilatioclosed	2186	