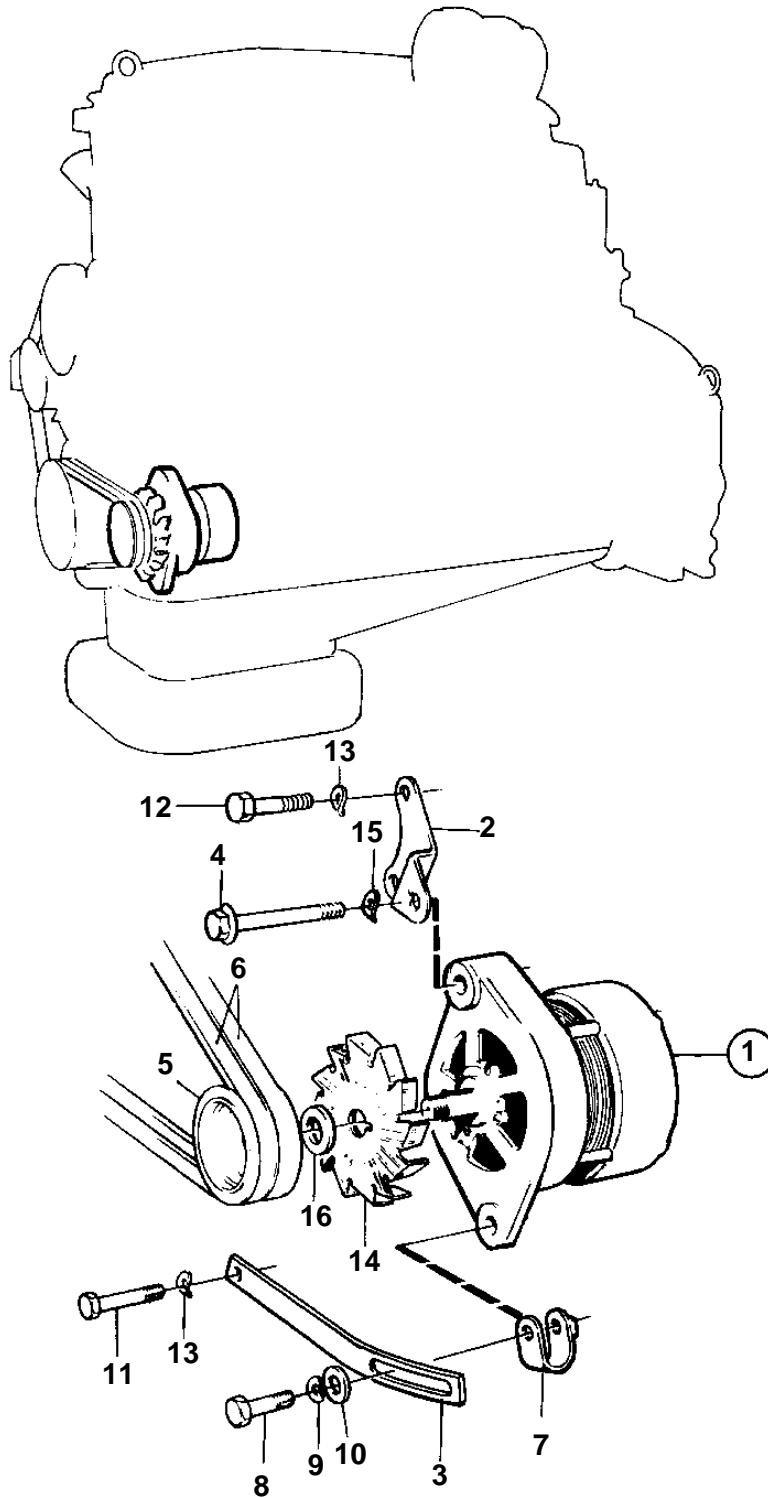


TD1030ME, TWD1030ME



15028

TD1030ME, TWD1030ME

REF	PART NO.	QTY	DESCRIPTION	SEE SEC.	NOTES
1	6779261	1	Alternator	128	28V 55A. For 24 voltage electric system.
2	1082911	1	Support plate		
3	1545307	1	Tensioner		
4	971005	1	Screw		
5	822573	1	Pulley		
6	978548	1	V-belt kit		
7	466735	1	Tensioning eyelet		FOR 6779261,1082911
8	955299	1	Screw		
9	941907	1	Spring washer		
10	191172	1	Washer		
11	955541	1	Screw		
12	940162	2	Screw		
13	942336	3	Spring washer		
14	1613241	1	Fan		FOR 6779261,1089862
15	941911	1	Spring washer		
16	945544	1	Washer		FOR 6779261,1089862