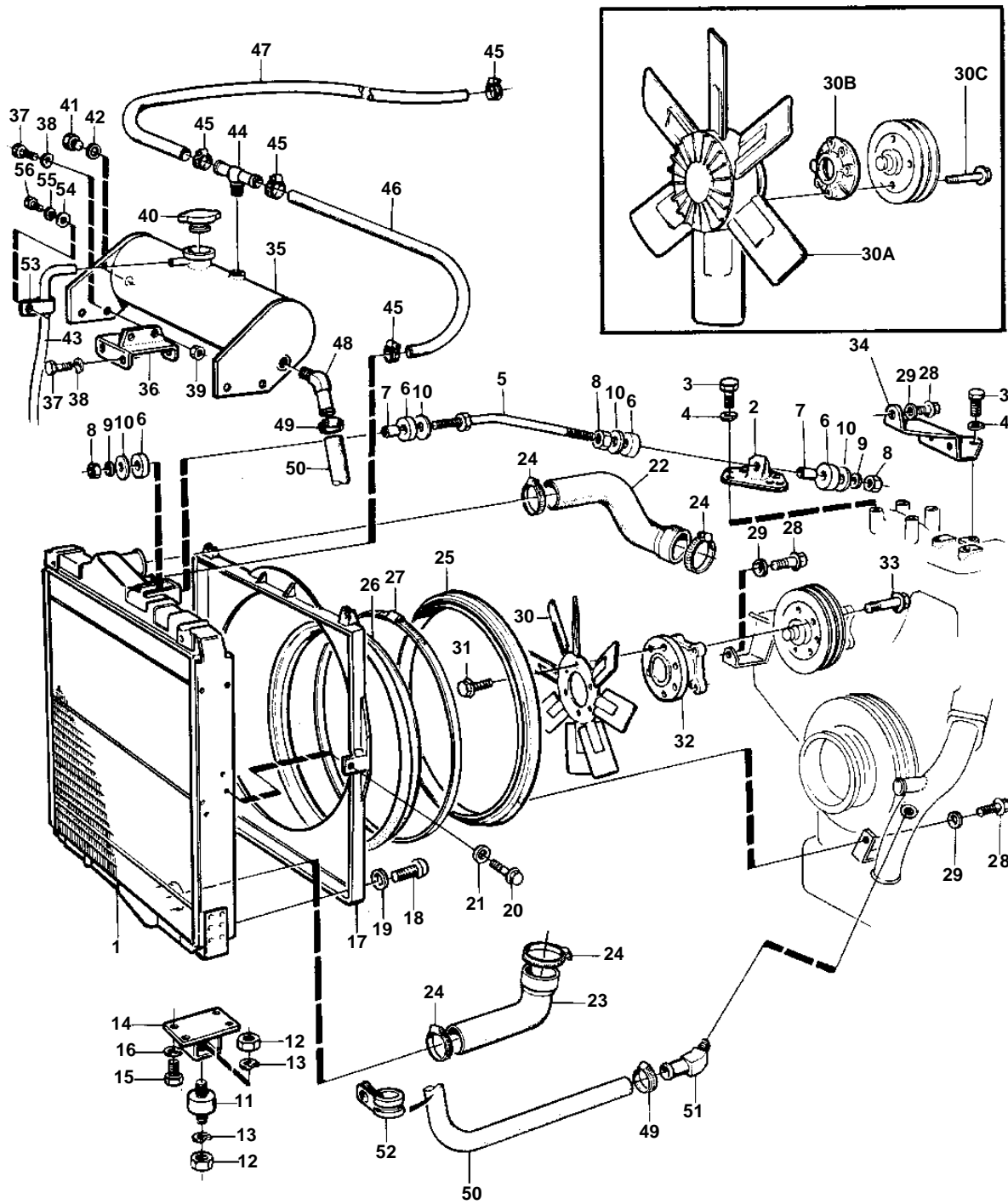


TD1030ME, TWD1030ME



TD1030ME, TWD1030ME

REF	PART NO.	QTY	DESCRIPTION	NOTES
1	1664500	1	Radiator	
2	1660904	1	Anchorage	
3	955523	4	Screw, 5/16uncx16mm	
	942402	3	Flange screw, 5/16uncx16mm	
4	941907	4	Spring washer	
5	1544860	1	Radiator stay	
6	866857	4	Rubber bushing	
7	252202	2	Bushing	
8	955793	3	Nut	
9	941912	2	Spring washer	
10	191940	4	Washer	
11	849170	2	Rubber cushion	
12	955850	4	Nut	
13	940280	4	Spring washer	
14	847352	2	Bracket	
15	955295	8	Screw	
16	941907	8	Spring washer	
17	475820	1	Fan shroud	
18	969599	4	Screw	
19	976944	4	Washer	
20	946544	2	Flange screw	
21	976943	2	Washer	
22	1544849	1	Hose	
23	1082205	1	Hose	
24	943480	4	Clamp	
25	1544942	1	Fan ring	
26	476612	1	Sealing strip	
27	1544650	1	Tensioning band	
28	946173	4	Flange screw	
29	976944	4	Washer	
30	1674069	1	Fan, suction type	D=680mm
	3825017	1	Fan, pusher type	D=680mm
30A	1660061	1	Fan, temp. controlled	SO
30B	1661040	1	Spacer	SO
30C	948217	4	Flange screw	
31	946671	6	Flange screw	
32	1664828	1	Hub	
33	947760	4	Flange screw	
34	1544859	1	Bracket	
35	848525	1	Expansion tank	12L
36	846884	1	Bracket	L
	846885	1	Bracket	RIGHT
37	955294	8	Screw	
38	941907	8	Spring washer	
39	955782	4	Nut	
40	866095	1	Pressure cap	
41	947660	1	Plug	
		1	Level indicator	SE GROUP 30
42	11994	1	Gasket	
43	192618	X	Hose	L=1400mm
44	948092	1	Nipple	
45	943470	4	Hose clamp	
46	13776	X	Rubber hose, radiator	L=450mm
47	13776	X	Rubber hose, intercooler	
48	942240	1	Elbow nipple	
49	943471	2	Hose clamp	
50	952969	X	Rubber hose	L=850mm
51	942240	1	Elbow nipple	25°
	942649	1	Nipple	45°
52	949379	1	Clamp	
53	18387	1	Clamp	
54	976943	1	Washer	
55	949607	1	Spring washer	

TD1030ME, TWD1030ME

REF	PART NO.	QTY	DESCRIPTION	NOTES
56	955269	1	Screw	