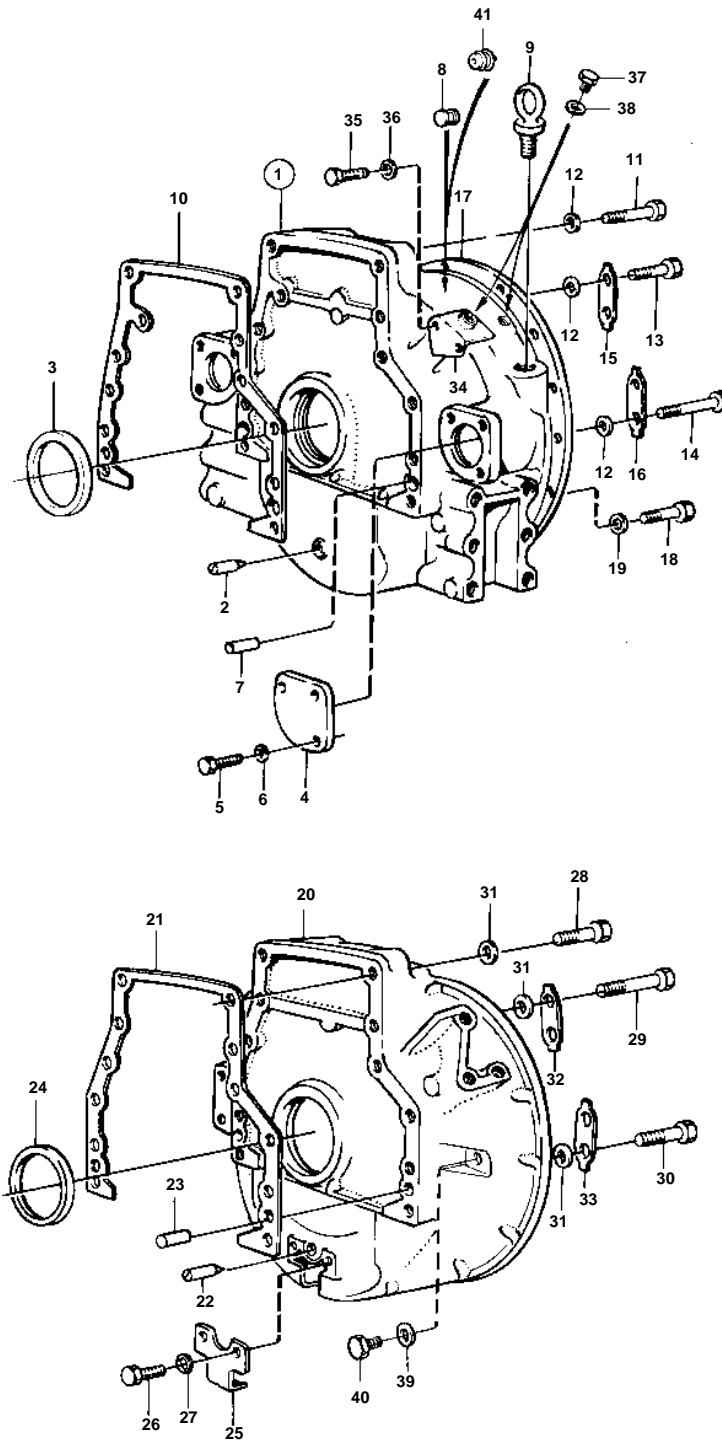


TD100,TD100-85,TD100-87,TID100,TID 100-87



7711

**TD100,TD100-85,TD100-87,TID100,TID 100-87**

REF	PART NO.	QTY	DESCRIPTION	NOTES
1	848961	1	Flywheel housing	
	821244	1	Flywheel housing	ALLISON CONVERTER
	848961	1	Flywheel housing	AMBAC
2	403270	1	Pin	
3	849567	1	Sealing ring	(821754)
	849567	1	Sealing ring	ALLISON -WET, TD
4	423081	1	Flange	
5	940114	3	Screw	
6	942336	3	Spring washer	
7	191171	2	Pin	
8	61822	1	Rubber plug	
9		2	LIFTING EYE	
10	424621	1	Gasket	IK (468556)
11	955582	2	Screw	
12	941911	12	Spring washer	
13	955580	8	Screw	
14	955587	2	Screw	
15		1	WASHER	
16		5	WASHER	
17	803172	1	Spacer ring	TD
	803172	1	Spacer ring	CLARK
	837389	1	Spacer ring	SAE 1-2
	815964	1	Intermediate ring	SAE 1-3
18	955549	2	Screw	TD
	940160	12	Screw	SAE 1-2
	940116	1	Screw	SAE 1-3
	955549	11	Screw	SAE 1-3
	955550	12	Screw	CLARK
19	941909	12	Spring washer	SAE 1-2, SAE1-3
20	849009	1	Flywheel housing	TRUCK LV/SPEC 867925
21	424621	1	Gasket	IK (468556)
22	467077	1	Setting indicator	
23	191171	2	Pin	
24	849567	1	Sealing ring	
25	467078	1	Breather cap	
26	940100	2	Screw	
27	941906	2	Spring washer	
28	955582	2	Screw	
29	955580	8	Screw	
30	955587	2	Screw	
31	941911	12	Spring washer	
32	941464	1	Lock washer	EARLY TYPE
33	941465	5	Lock washer	EARLY TYPE
34	837698	1	Bracket	TD
35	955511	2	Screw	TD
36	941906	2	Spring washer	TD
37	180761	1	Plug	TD
38	11996	1	Gasket	
39	11998	1	Gasket	
40	960632	1	Plug	
41	786599	1	Plug	