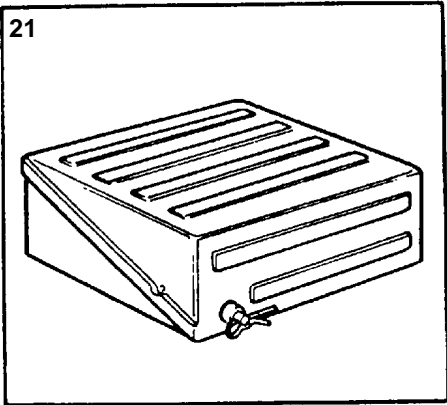
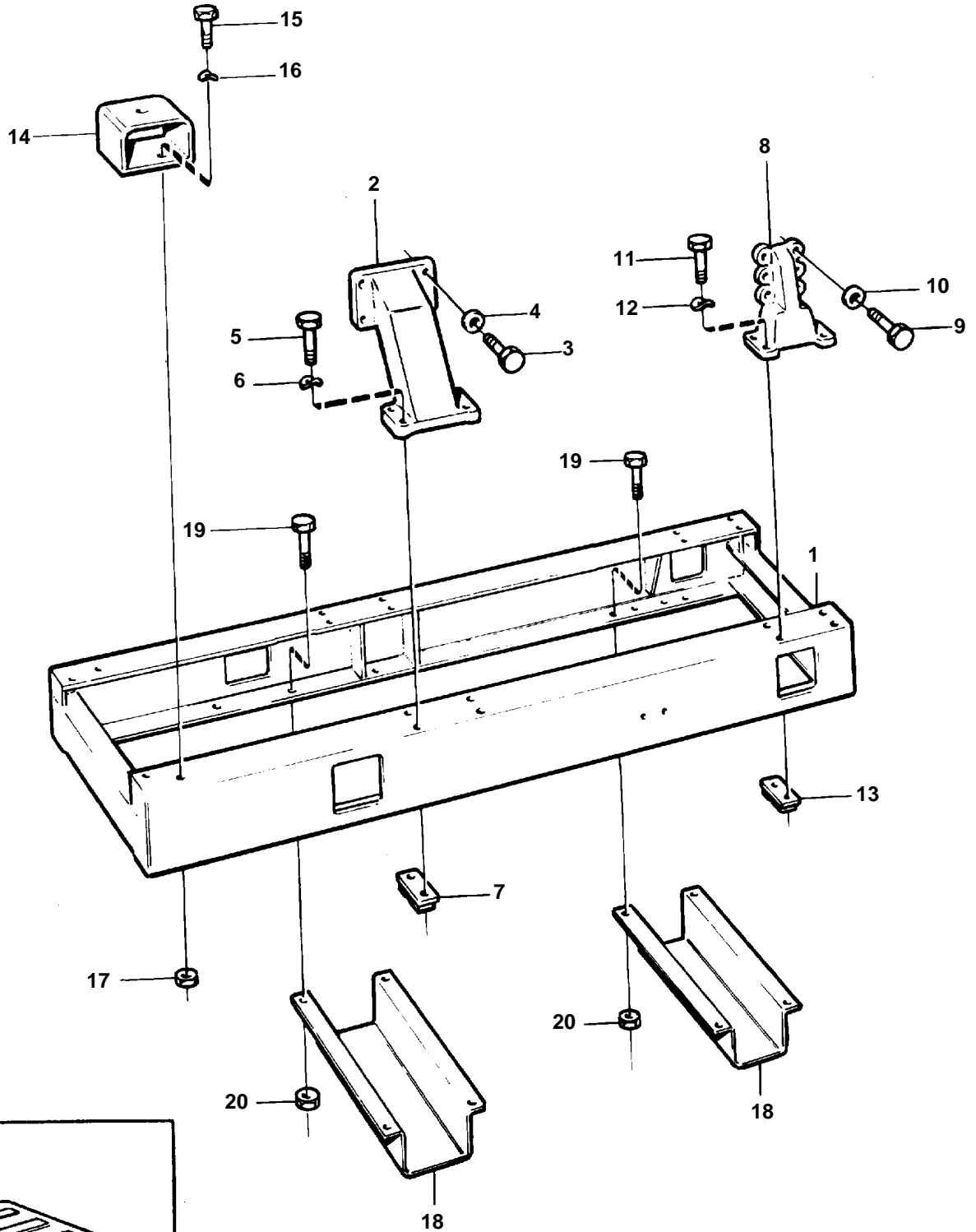


TD100GP-85,TD100HP-87,TD100HPB-87,TID100KP,TID100KP-87,TID100KPB-87



10016

ENGINE SUSPENSION

02A

TD100GP-85,TD100HP-87,TD100HPB-87,TID100KP,TID100KP-87,TID100KPB-87

REF	PART NO.	QTY	DESCRIPTION	SEE SEC.	NOTES
1	862143	1	Frame		
2	820519	2	Bracket		HIGH
	821106	2	Engine bracket		LOW
3	955580	8	Screw		HIGH
	955577	8	Screw		LOW
4	941911	8	Spring washer		
5	970976	8	Screw		
6	940280	8	Spring washer		
7	845883	4	Plate		
8	843069	2	Bracket		HIGH
	843135	2	Bracket		LOW
9	955560	12	Screw		
10	940280	12	Spring washer		
11	970972	8	Screw		
12	940280	8	Spring washer		
13	845905	4	Nut plate		
14	847527	2	Radiator stay		
15	970947	4	Screw		
16	941908	4	Spring washer		
17	971071	4	Nut		
18	862632	2	Rail		
19	973083	8	Flange screw		
20	971095	8	Nut		
21		1	BATTERY BOX		TD100GP-85, TID100KP
				02A-6000	
		1	BATTERY BOX		TD100HP-87, TID100KP-87 SN-1101025376/XXXX
				02A-6000	
					SN1101025377/XXXX-
				02A-6050	