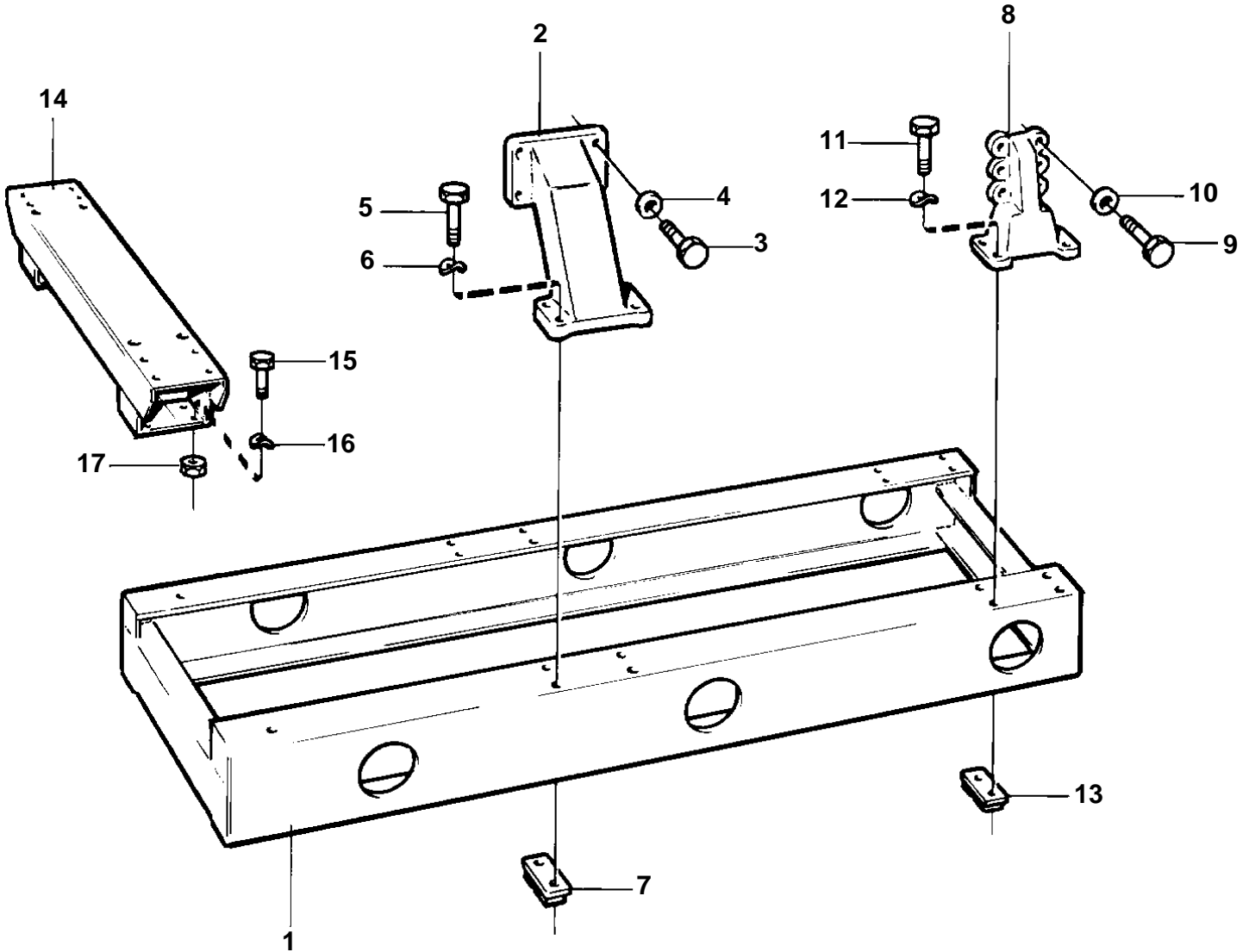


TD100GP



10005

TD100GP

REF	PART NO.	QTY	DESCRIPTION	NOTES
1	847110	1	Frame	
2	820519	2	Bracket	HIGH
	821106	2	Engine bracket	LOW
	896685	1	Bracket	LEFT. LOW ENGINE MOUNTS , FRONT BUILT
	896686	1	Bracket	RIGHT. LOW ENGINE MOUNTS , FRONT BUILT
3	955580	8	Screw	HIGH
	955577	8	Screw	LOW
	955581	8	Screw	LOW ENGINE MOUNTS , FRONT BUILT
4	941911	8	Spring washer	
5	970976	8	Screw	
6	940280	8	Spring washer	
7	845883	4	Plate	
8	843069	2	Bracket	HIGH
	843135	2	Bracket	LOW
9	955561	12	Screw	
10	940280	12	Spring washer	
11	970972	8	Screw	
12	940280	8	Spring washer	
13	845905	4	Nut plate	
14	847304	1	Radiator member	
15	970947	4	Screw	
16	941908	4	Spring washer	
17	955783	4	Nut	