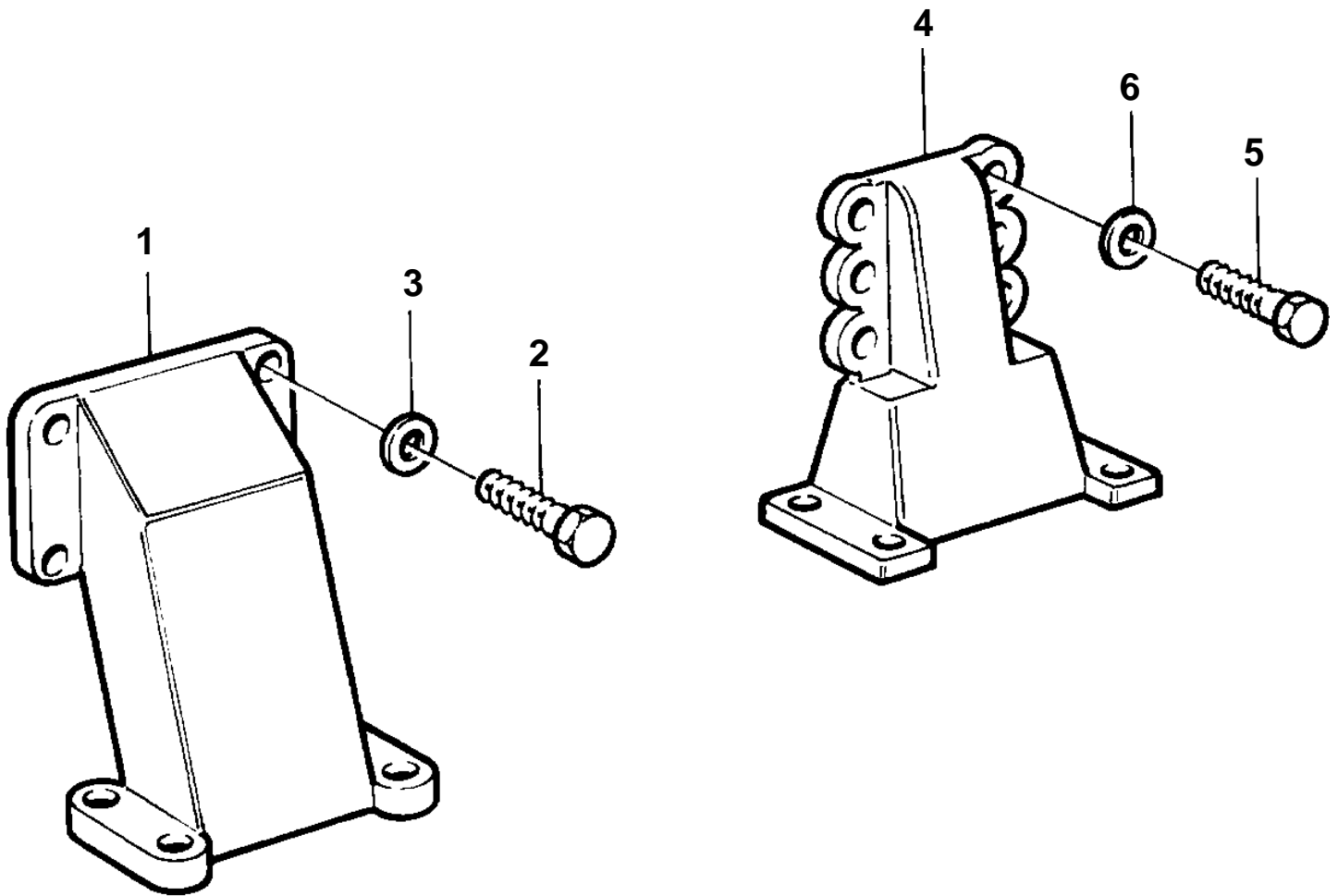


TD100G,TD100GG



10007

TD100G,TD100GG

REF	PART NO.	QTY	DESCRIPTION	NOTES
1	820519	2	Bracket	
	821106	2	Engine bracket	LOW
	896685	1	Bracket	LEFT. LOW ENGINE MOUNTS , FRONT BUILT
	896686	1	Bracket	RIGHT. LOW ENGINE MOUNTS , FRONT BUILT
2	955580	8	Screw	HIGH
	955577	8	Screw	LOW
	955581	8	Screw	LOW ENGINE MOUNTS , FRONT BUILT
3	941911	8	Spring washer	
4	843069	2	Bracket	HIGH
	843135	2	Bracket	LOW
5	955561	12	Screw	
6	940280	12	Spring washer	