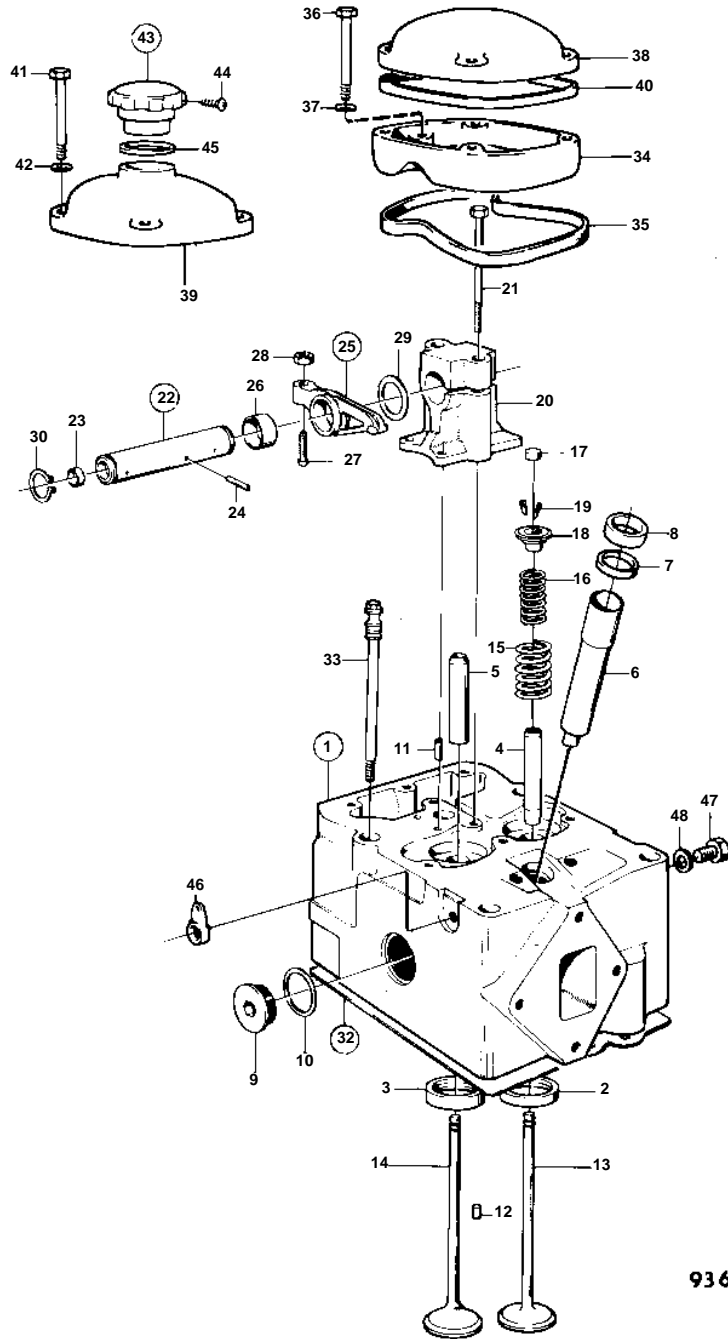


TD100-87,TID100-87



9365

TD100-87,TID100-87

REF	PART NO.	QTY	DESCRIPTION		NOTES
1	422831	6	Cylinder head		ALSO AVAILABLE AS AN EXCHANGE PART CONSISTING OF CYLINDER HEAD,INTAKE AND EXHAUST VALVES,VALVE SPRINGS,WASHERS AND LOCKS.
2	467474	6	· Valve seat, INTAKE		STD
	467590	6	· Valve seat, INTAKE		0.20 MM O.S
3	1545886	6	· Valve seat, EXHAUST		STD
	1545885	6	· Valve seat, EXHAUST		0.20 MM O.S
4	422320	6	· Valve guide, INTAKE		
5	1545135	6	· Valve guide, EXHAUST		
6	270946	6	· Copper sleeve kit		
7	466405	6	· · Rubber ring		
8	466420	6	· · Steel ring		
9	467365	12	· Plug		
10	468461	12	· Gasket	IK	
11	950543	12	· Pin		
12	950543	12	Pin		
13	1545290	6	Inlet valve		
14	467855	6	Exhaust valve		(467682)
15	467334	12	Valve spring		
16	467335	12	Valve spring		
17	478074	12	Valve cap		(417133)
18	467506	12	Washer		
19	468305	24	Valve collet		
20	422018	6	Bearing bracket		
21	422428	12	Screw		
22	422019	6	Shaft		
23	946778	12	· Cap plug		
24	950499	6	· Pin		
25	422063	12	Rocker arm		
26	422066	12	· Bushing		
27	422993	12	· Ball stud		(423058)
28	940175	12	· Nut		
29	941488	12	Washer		
30	914459	12	Lock ring		
32	270789	6	Gasket kit		SEE GROUP 10A
		6	· GASKET	IK	
	422415	12	· Sealing ring	IK	D = 18 MM
	422414	12	· Sealing ring	IK	D = 32 MM
	422413	6	· Sealing ring	IK	D = 11 MM
33	422086	24	Flange screw		
34	469431	6	Valve cover		
35	424693	6	Gasket	IK	
36	940159	12	Screw		
37	955894	12	Washer		
38	469432	5	Valve cover		
39	469457	1	Valve cover		
40	424694	6	Gasket	IK	
41	955530	24	Screw		
42	941907	24	Spring washer		
43	421753	1	Oil filler cap		(420292)
44	955126	3	· Screw		
45	940096	1	Gasket	IK	
46	479260	6	Seal	IK	
47	941876	1	Plug		
48	18666	1	Gasket	IK	