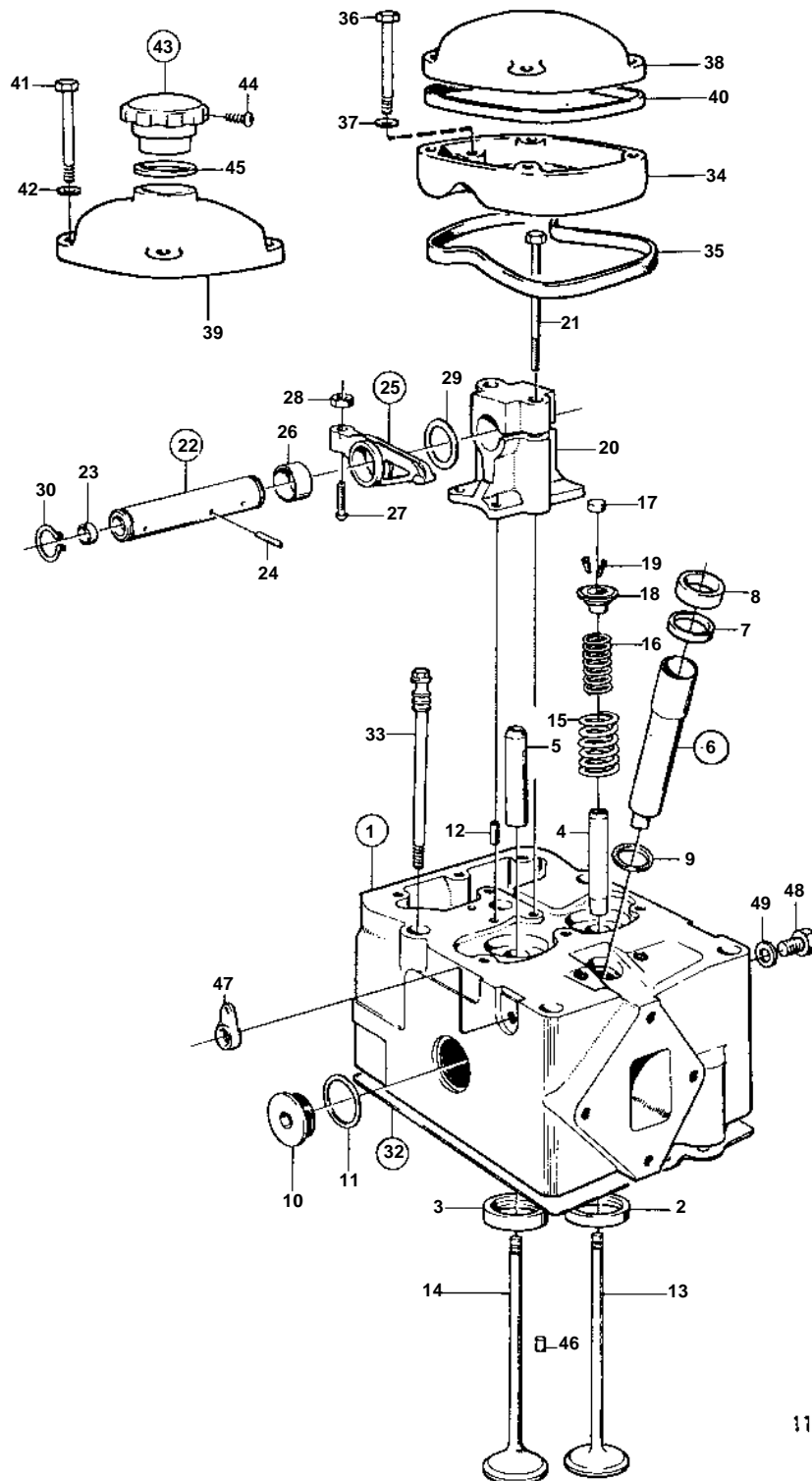


TD100,TD100-85,TID100



11784

TD100,TD100-85,TID100

| REF | PART NO. | QTY | DESCRIPTION            |    | NOTES   |
|-----|----------|-----|------------------------|----|---|
| 1   | 422831   | 6   | Cylinder head          |    | ALSO AVAILABLE AS AN EXCHANGE PART CONSISTING OF CYLINDER HEAD,INTAKE AND EXHAUST VALVES,VALVE SPRINGS,WASHERS AND LOCKS. |
| 2   | 467474   | 6   | · Valve seat, INTAKE   |    | STD   |
|     | 467590   | 6   | · Valve seat, INTAKE   |    | 0.20 MM O.S   |
| 3   | 467475   | 6   | · Valve seat, EXHAUST  |    | STD   |
|     | 467591   | 6   | · Valve seat, EXHAUST  |    | 0.20 MM O.S   |
| 4   | 422320   | 6   | · Valve guide, INTAKE  |    |   |
| 5   | 1545135  | 6   | · Valve guide, EXHAUST |    |   |
| 6   | 270946   | 6   | · Copper sleeve kit    |    |   |
| 7   | 466405   | 6   | · · Rubber ring        |    |   |
| 8   | 466420   | 6   | · · Steel ring         |    |   |
| 9   | 469205   | 6   | · O-ring               |    | EARLY TYPE  |
| 10  | 467365   | 12  | · Plug                 |    |   |
| 11  | 468461   | 12  | · Gasket               | IK |   |
| 12  | 950543   | 12  | · Pin                  |    |   |
| 13  | 1545290  | 6   | Inlet valve            |    |   |
| 14  | 467855   | 6   | Exhaust valve          |    | (467682)  |
| 15  | 467334   | 12  | Valve spring           |    |   |
| 16  | 467335   | 12  | Valve spring           |    |   |
| 17  | 478074   | 12  | Valve cap              |    | (417133)  |
| 18  | 467506   | 12  | Washer                 |    |   |
| 19  | 468305   | 24  | Valve collet           |    |   |
| 20  | 422018   | 6   | Bearing bracket        |    |   |
| 21  | 422428   | 12  | Screw                  |    |   |
| 22  | 422019   | 6   | Shaft                  |    |   |
| 23  | 946778   | 12  | · Cap plug             |    |   |
| 24  | 950499   | 6   | · Pin                  |    |   |
| 25  | 422063   | 12  | Rocker arm             |    |   |
| 26  | 422066   | 12  | · Bushing              |    |   |
| 27  | 422993   | 12  | · Ball stud            |    | (423058)  |
| 28  | 940175   | 12  | · Nut                  |    |   |
| 29  | 941488   | 12  | Washer                 |    |   |
| 30  | 914459   | 12  | Lock ring              |    |   |
| 32  | 270789   | 6   | Gasket kit             |    | SEE GROUP 10A   |
|     |          | 6   | · GASKET               | IK |   |
|     | 422415   | 12  | · Sealing ring         | IK | D = 18 MM   |
|     | 422414   | 12  | · Sealing ring         | IK | D = 32 MM   |
|     | 422413   | 6   | · Sealing ring         | IK | D = 11 MM   |
| 33  | 422086   | 24  | Flange screw           |    |   |
| 34  | 469431   | 6   | Valve cover            |    |   |
| 35  | 424693   | 6   | Gasket                 | IK |   |
| 36  | 940159   | 12  | Screw                  |    |   |
| 37  | 955894   | 12  | Washer                 |    |   |
| 38  | 469432   | 5   | Valve cover            |    |   |
| 39  | 469457   | 1   | Valve cover            |    |   |
| 40  | 424694   | 6   | Gasket                 | IK | (469434)  |
| 41  | 955530   | 24  | Screw                  |    |   |
| 42  | 941907   | 24  | Spring washer          |    |   |
| 43  | 421753   | 1   | Oil filler cap         |    | (420292)  |
| 44  | 955126   | 3   | · Screw                |    |   |
| 45  | 940096   | 1   | Gasket                 | IK |   |
| 46  | 950543   | 12  | Pin                    |    |   |
| 47  | 479260   | 6   | Seal                   | IK |   |
| 48  | 941876   | 1   | Plug                   |    |   |
| 49  | 18666    | 1   | Gasket                 | IK |   |