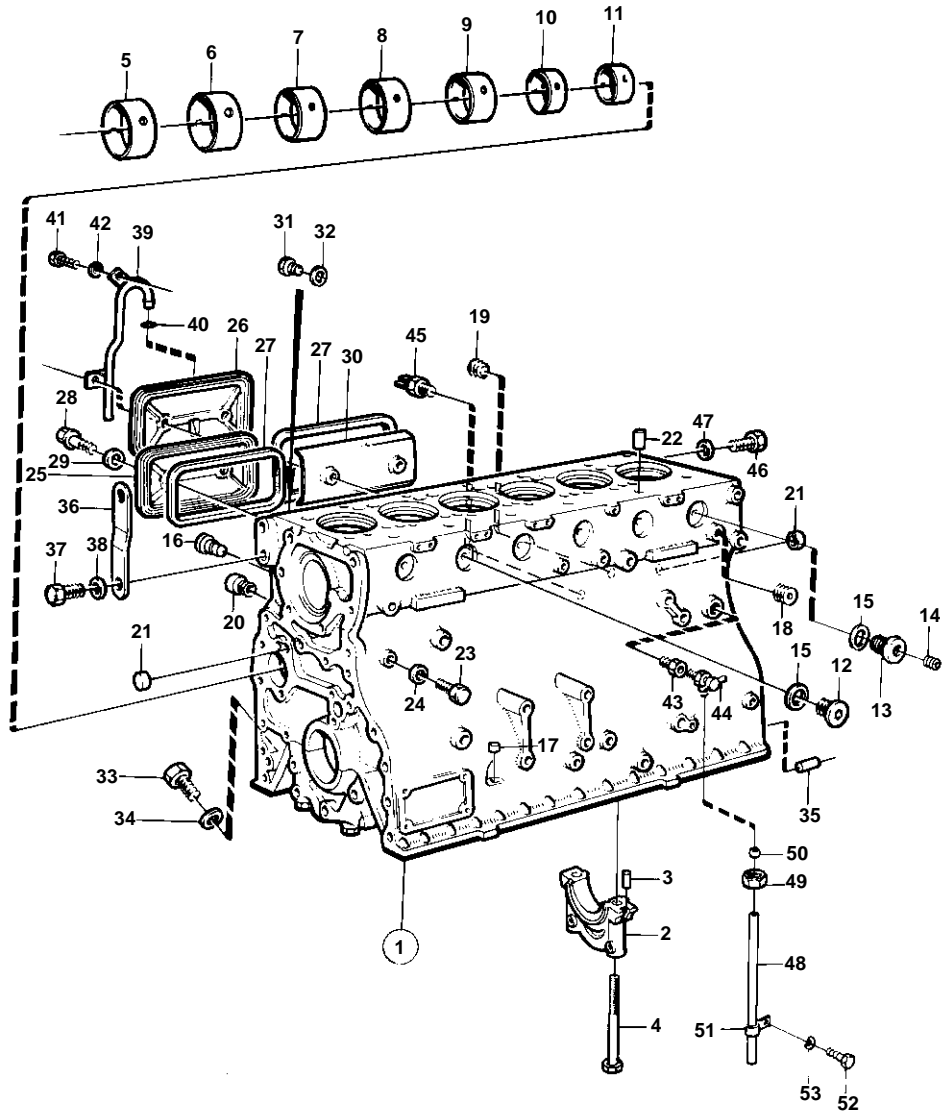


TD100-87



9925

TD100-87

REF	PART NO.	QTY	DESCRIPTION	NOTES
1	422960	1	Cylinder block	SPARE PART VERSION
2		7	· BEARING CAP	
3	422426	1	· Pin	
4	422067	14	· Screw	
5	422076	1	· Bushing	
6	422077	1	· Bushing	
7	422078	1	· Bushing	
8	422079	1	· Bushing	
9	422080	1	· Bushing	
10	422081	1	· Bushing	
11	422082	1	· Bushing	
12	467367	5	· Plug	
13	821335	1	· Plug	
14	952077	1	· Plug	
15	469328	6	· Gasket	
16	422369	7	· Plug	
17	955082	2	· Cap plug	
18	952075	1	Plug	
19	952075	1	Plug	
20	952077	1	Plug	
21	955083	3	Cap plug	
22	950543	12	Pin	
23	180761	1	Plug	
24	11996	1	Gasket	IK
25	423120	2	Inspection cover	
	423120	3	Inspection cover	WHEN CRANKHOUSE VENTILATION IS FITTED ON THE CYLINDER HEAD COVER
26	423121	1	Inspection cover	
27	469823	3	Gasket	IK
28	422541	6	Screw	
29	471856	6	Sealing ring	IK
30	422542	1	Splash plate	
31	191026	3	Plug	
32	907132	3	Gasket	IK
33	948187	2	Plug	
34	18818	2	Gasket	IK
35	191171	2	Pin	
36		1	LIFTING EYE	
37	955561	2	Screw	
38	940280	2	Spring washer	
39	467090	1	Tube	
40	421158	1	Sealing ring	
41	942402	2	Flange screw	
42	941907	2	Spring washer	
43	190130	1	Nipple	
44	820436	1	Drain cock	
45		1	OIL PRESSURE SENSOR	SEE GROUP 3
46	422550	1	Nipple	SEE GROUP 2B
47	468463	1	Gasket	IK
48	821889	1	Tube	
49	954357	1	Cap nut	
50	954365	1	Fitting	
51	942400	1	Clamp	
52	940133	1	Screw	
53	940097	1	Washer	