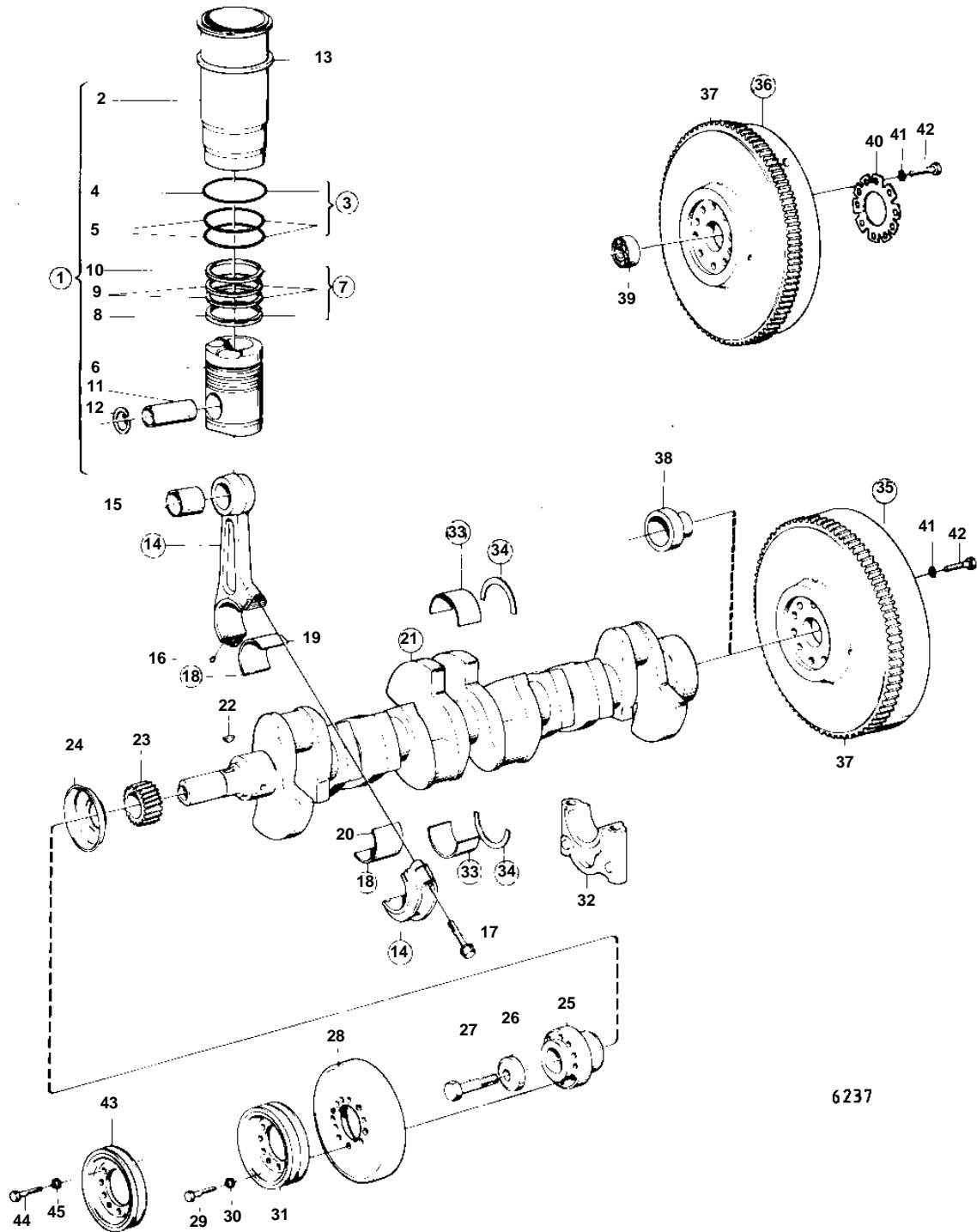


TD100G-87,TD100GG-87,TD100GGP-87,TD100HP-87



TD100G-87,TD100GG-87,TD100GGP-87,TD100HP-87

| REF | PART NO. | QTY | DESCRIPTION | SEE SEC. | NOTES |
|-----|----------|-----|------------------------|----------|----------------------------|
| 1 | 275627 | 6 | Cylinder liner kit | | (275089) |
| 2 | | 6 | · CYLINDER LINER | IK | |
| 3 | 271157 | 6 | · Sealing ring kit | IK | |
| 4 | | 6 | · · SEAL RING | IK | |
| 5 | | 6 | · · SEAL RING | IK | |
| | | 6 | · · SEAL RING | IK | |
| 6 | | 6 | · PISTON | IK | |
| 7 | 275084 | 6 | · Piston ring kit | IK | |
| 8 | | 6 | · · OIL RING | IK | |
| 9 | | 6 | · · COMPRESSION RING | IK | |
| 10 | | 6 | · · COMPRESSION RING | IK | |
| 11 | 422344 | 6 | · Piston pin | IK | STD |
| | 422345 | 6 | · Piston pin | | 0.05 MM O.S |
| | 422347 | 6 | · Piston pin | | 0.20 MM O.S |
| 12 | 417466 | 12 | · Lock ring | | |
| 13 | 422619 | X | Shim | | TH = 0.20 MM |
| | 422620 | X | Shim | | TH = 0.30 MM |
| | 422621 | X | Shim | | TH = 0.50 MM |
| 14 | 846731 | 6 | Connecting rod | | |
| 15 | 1545302 | 6 | · Bushing | | |
| 17 | 1545479 | 12 | · Screw | | |
| 18 | 270124 | 6 | Big end bearing kit | | STD D |
| | 270125 | 6 | Big end bearing kit | | 0,25MM U.S |
| | 270126 | 6 | Big end bearing kit | | 0,50MM U.S |
| | 270127 | 6 | Big end bearing kit | | 0,75MM U.S |
| | 270128 | 6 | Big end bearing kit | | 1,00MM U.S |
| | 270129 | 6 | Big end bearing kit | | 1,25MM U.S |
| 19 | | 6 | · BEARING SHELL, UPPER | IK | |
| 20 | | 6 | · BEARING SHELL, LOWER | IK | |
| 21 | 848767 | 1 | Crankshaft | | (846442) |
| 22 | 422253 | 1 | · Woodruff key | | |
| 23 | 423080 | 1 | Crankshaft gear | | |
| | | | Bulletin 45-01 | 45-01-EN | Timing Gears, 71, 100, 121 |
| 24 | 423177 | 1 | Oil deflector | | |
| 25 | 470595 | 1 | Hub | | |
| 26 | 422124 | 1 | Washer | | |
| 27 | 941494 | 1 | Screw | | |
| 28 | 846645 | 1 | Absorber | | |
| 29 | 955550 | 12 | Screw | | |
| 30 | 941909 | 12 | Spring washer | | |
| 31 | 843600 | 1 | Pulley | | 3-GROOVE |
| 32 | | 7 | BEARING CAP | | |
| 33 | 270438 | 7 | Main bearing kit | | STD D |
| | 270439 | 7 | Main bearing kit | | 0.25 MM U.S |
| | 270440 | 7 | Main bearing kit | | 0.50 MM U.S |
| | 270441 | 7 | Main bearing kit | | 0.75 MM U.S |
| | 270442 | 7 | Main bearing kit | | 1.00 MM U.S |
| | 270443 | 7 | Main bearing kit | | 1.25 MM U.S |
| 34 | 276758 | 1 | Thrust washer kit | | STD D |
| | 276759 | 1 | Thrust washer kit | | 0.10 MM O.S |
| | 276760 | 1 | Thrust washer kit | | 0.20 MM O.S |
| | 276761 | 1 | Thrust washer kit | | 0.30 MM O.S |
| 35 | 864402 | 1 | Flywheel | | STD (847168) |
| | | | Bulletin 46-07 | 46-07-EN | Crankshaft/Flywheel |
| | | | | | |
| | | | | | |
| | | | | | |
| | | | | | |
| 37 | 420794 | 1 | · Gear ring | | |

TD100G-87,TD100GG-87,TD100GGP-87,TD100HP-87

| REF | PART NO. | QTY | DESCRIPTION | SEE SEC. | NOTES |
|-----|----------|-----|---------------|----------|------------|
| 41 | 467773 | 10 | Washer | | |
| 42 | 941570 | 10 | Screw | | |
| 43 | 844591 | 1 | Pulley | | 2-GROOVE |
| | 844615 | 1 | Pulley | | 1 GROOVE |
| | 845845 | 1 | Pulley | | 6-GROOVE |
| 44 | 955552 | 12 | Screw | | |
| | 955551 | 12 | Screw | | FOR 845845 |
| 45 | 941909 | 12 | Spring washer | | |