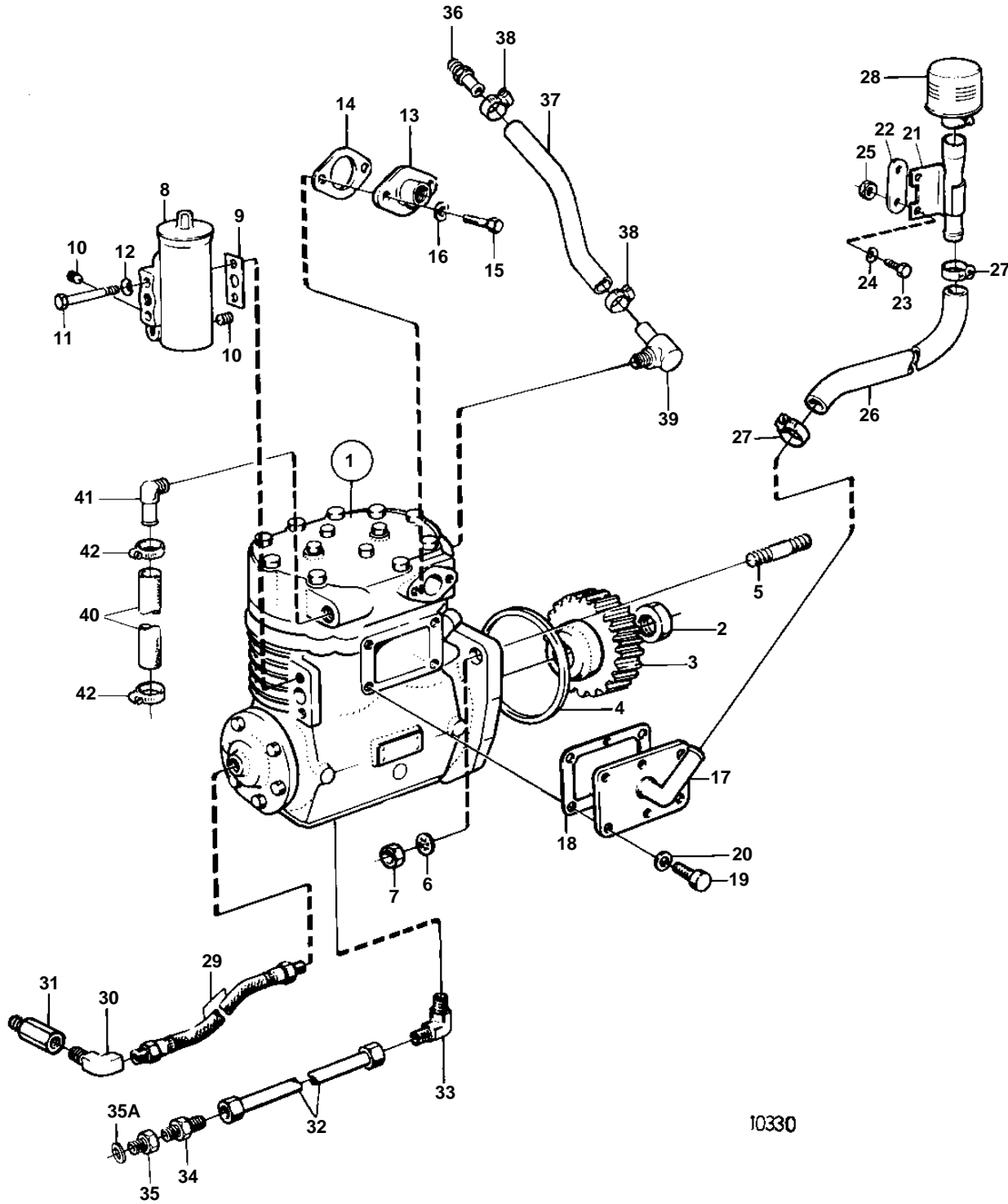


TD100G-85, TID100K, TD100G-87, TID100K-87



TD100G-85,TID100K,TD100G-87,TID100K-87

REF	PART NO.	QTY	DESCRIPTION	SEE SEC.	NOTES
1	1612335	1	Compressor		ALSO AVAILABLE AS AN EXCHANGE PART.
	1080437	1	Compressor	02A-6700	
	3803136	1	Compressor, exch COMPS NOT SPEC.		Exchange unit
2	1518355	1	Nut		
3	423087	1	Gear		SN-XXXXXXXXXX/220979
			Bulletin 45-01	45-01-EN	Timing Gears, 71, 100, 121
3	478289	1	Gear		NITRO. SNXXXXXXXXXX/220980-
			Bulletin 45-01	45-01-EN	Timing Gears, 71, 100, 121
4	975610	1	O-ring	IK	
5	953346	3	Stud		
6	941911	3	Spring washer		
7	955828	3	Nut		
8	1503492	1	Regulator		
			COMPONENTS		
9	1626068	1	Gasket		
10	191026	5	Plug		
11	955304	2	Screw		
	965218	2	Screw		FOR 1080437
12	941907	2	Spring washer		
13	330634	1	Flange		
14	1619957	1	Gasket		(324359)
15	955297	2	Screw		
16	941907	2	Spring washer		
17	847322	1	Air inlet		
18	3028016	1	Gasket		(1194585)
19	965175	6	Screw		
20	941906	6	Spring washer		EARLY TYPE
21	1587040	1	Bracket		
22	965535	1	Bracket		
23	955297	2	Screw		
24	941907	2	Spring washer		
25	955782	2	Nut		
26	192358	X	Rubber hose		L = 235 MM
27	943473	2	Hose clamp		
28	1082111	1	Filter		
29	1507501	1	Hose		
30	180110	1	Elbow nipple		
31	835980	1	Nipple		
32	966600	1	Hose		
33	944276	1	Nipple		
34	326576	1	Nipple		
35	944727	1	Nipple		
35A	18818	1	Gasket		
36	961654	1	Nipple		
37	941522	X	Hose		L = 95 MM
38	943472	2	Hose clamp		
39	961603	1	Elbow nipple		
40	941522	X	Hose		L = 170 MM
41	192531	1	Nipple		
42	943472	2	Hose clamp		