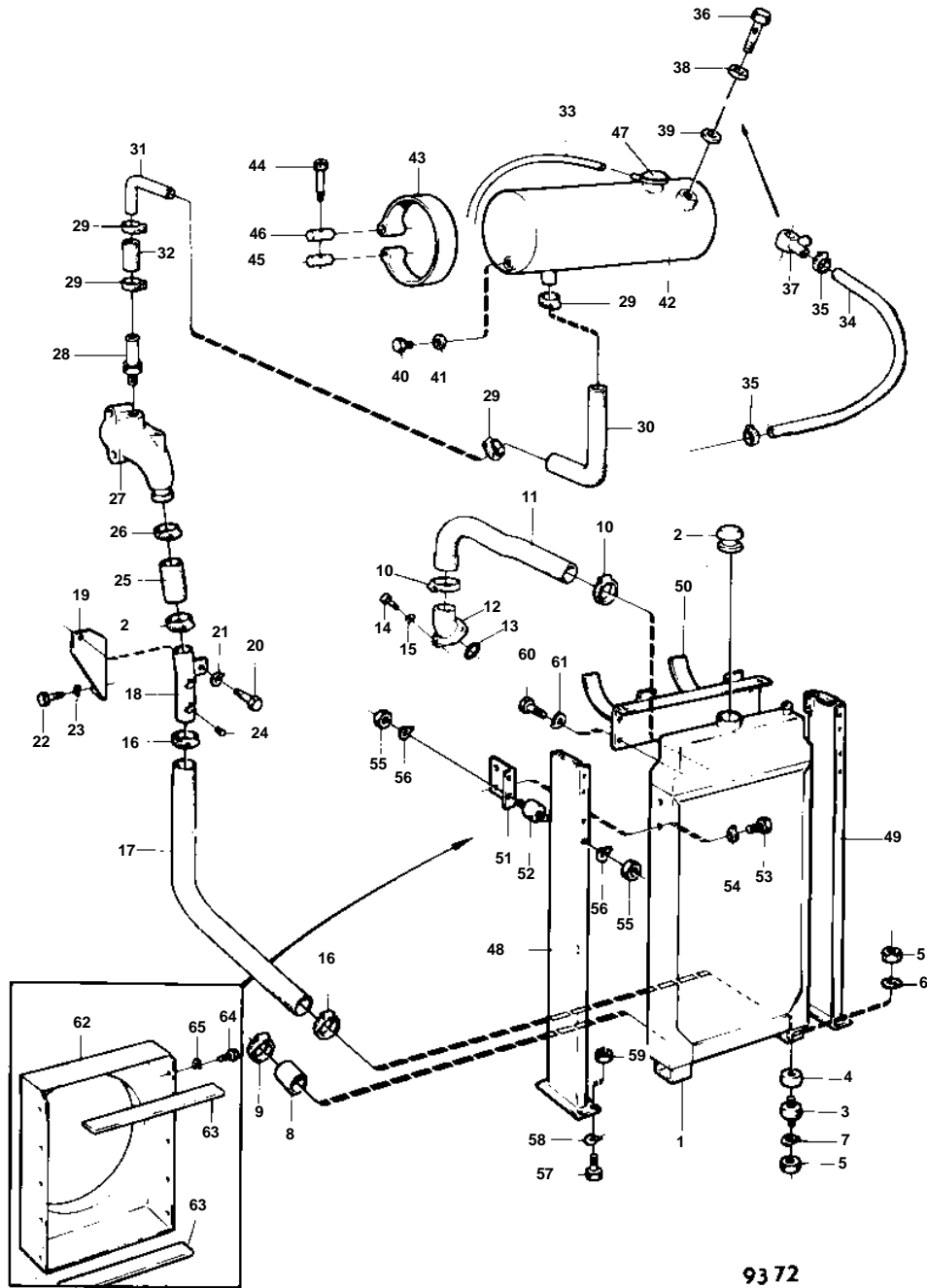


TD100GG-87,TD100G GP-87,TID100KG-87



9372

TD100GG-87,TD100GGP-87,TID100KG-87

REF	PART NO.	QTY	DESCRIPTION	SEE SEC.	NOTES
1	843989	1	Radiator		
2	344753	1	Radiator cap		
3	833720	2	Rubber cushion		
4	807228	2	Sleeve		
5	955850	4	Nut		
6	955898	2	Washer		
7	940280	4	Spring washer		
8	824474	1	Connector		
9	943480	1	Clamp		
10	943480	2	Clamp		
11	847740	1	Hose		
12	1545200	1	Tube		
13	925255	1	O-ring		
14	940135	3	Screw		
15	941907	3	Spring washer		
16	943480	2	Clamp		
17	847746	1	Hose		
18	846832	1	Coolant pipe		
19	846834	1	Bracket		
20	956092	1	Screw		
21	949607	1	Spring washer		
22	955541	2	Screw		
23	942336	2	Spring washer		
24	952077	2	Plug		
25	952980	1	Rubber hose		L = 90 MM
26	943480	2	Clamp		
27		1	PIPE ELBOW	02B-0271 02B-0272	
28	941845	1	Nipple		
29	943475	4	Hose clamp		
30	826224	1	Hose		
31	845276	1	Coolant pipe		
32	944386	X	Hose		L = 90 MM
33	192618	X	Hose		L = 2000 MM
34	943366	X	Hose		L = 600 MM
35	945651	4	Hose clamp		
36	944153	1	Hollow screw		
37	848610	1	Nipple		
38	957178	1	Gasket		
39	957177	1	Gasket		
40	947660	1	Plug		(836268)
41	957175	1	Gasket		
42	836199	1	Tank		
43	339958	2	Tensioning band		
44	31406	2	Screw		
45	31404	2	Pin		
46	31405	2	Pin		
47	350578	1	Pressure cap		
48	837221	1	Bracket		RIGHT
49	837222	1	Bracket		LEFT
50	837223	1	Bracket		
51	837387	2	Bracket		
52	1228599	4	Rubber cushion		
53	940199	4	Screw		
54	941907	4	Spring washer		
55	955781	8	Nut		
56	941906	8	Spring washer		
57	940134	8	Screw		
58	941909	8	Spring washer		
59	940157	8	Nut		
60	940114	6	Screw		
61	942336	6	Spring washer		
62	844696	1	Fan shroud		

TD100GG-87,TD100GGP-87,TID100KG-87

REF	PART NO.	QTY	DESCRIPTION	SEE SEC.	NOTES
63	836046	2	Sealing strip		
64	955270	10	Screw		
65	955893	10	Washer		