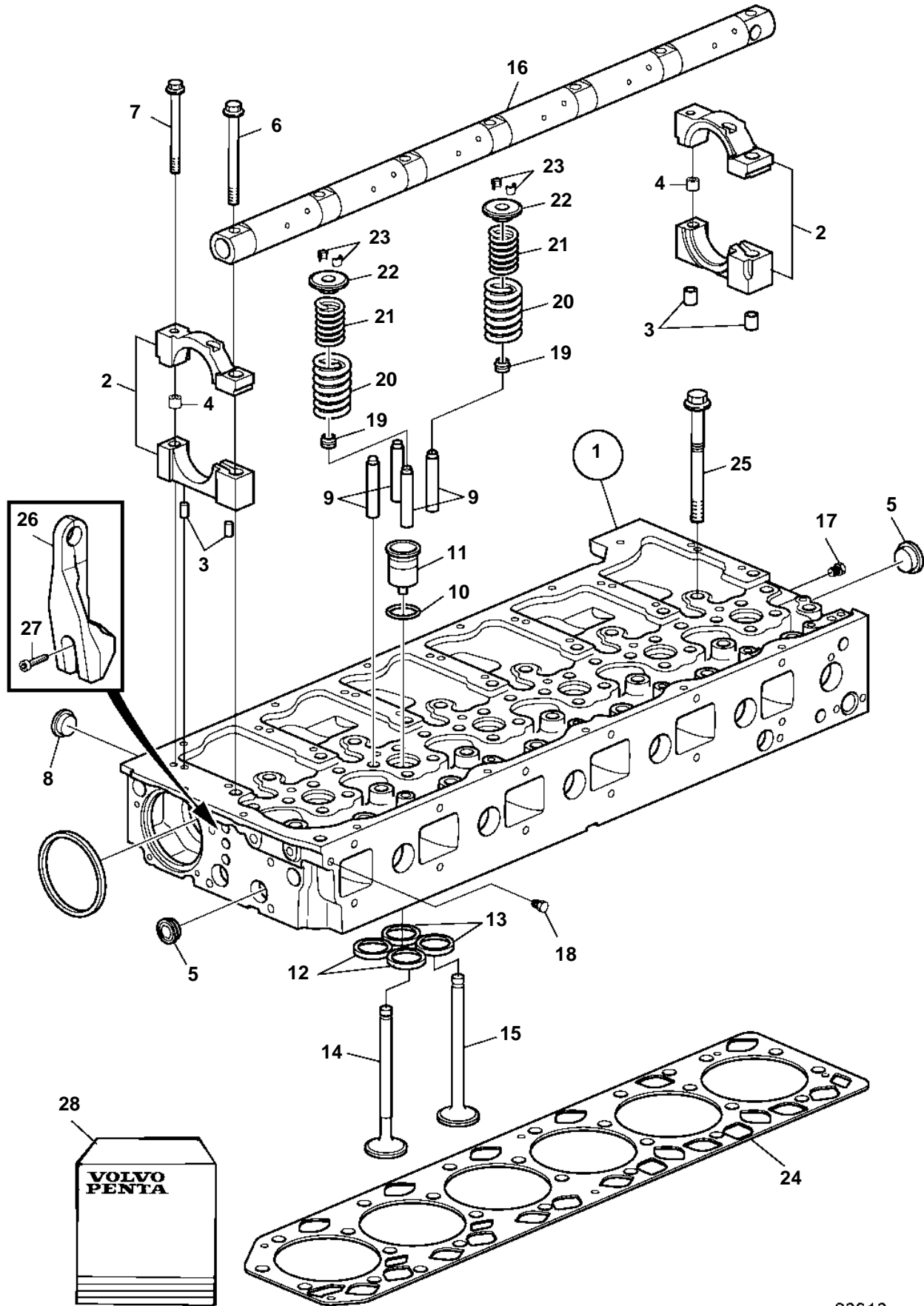


TAD941GE



TAD941GE

REF	PART NO.	QTY	DESCRIPTION
1	3803657	1	Cylinder head, exch
2	3161079	6	· Bearing housing
3	950542	X	· · Pin
4	3161082	1	· Bearing housing
5	8131706	5	· Cap plug
6	20412482	7	· Flange screw
7	975105	7	· Flange screw
8	8131707	11	· Cap plug
9	3183283	24	· Valve guide
10	3165747	X	· O-ring
11	3183368	6	· Sleeve
12	20459643	12	· Valve seat, intake
13	8148036	12	· Valve seat, exhaust
14	20450002	12	· Inlet valve
15	3809943	12	· Exhaust valve
16	8148088	1	· Rocker arm shaft
17	968062	2	· Plug
18	968060	1	· Plug
19	859171	24	· Valve stem seal
20	3183210	24	· Valve spring
21	3183211	24	· Valve spring
22	20464946	24	· Spring washer
23	1677875	48	· Valve collet
24	20495935	1	Gasket
25	1547419	26	Screw
26		1	Lifting eye
27	966789	3	Screw
28		1	Gasket kit