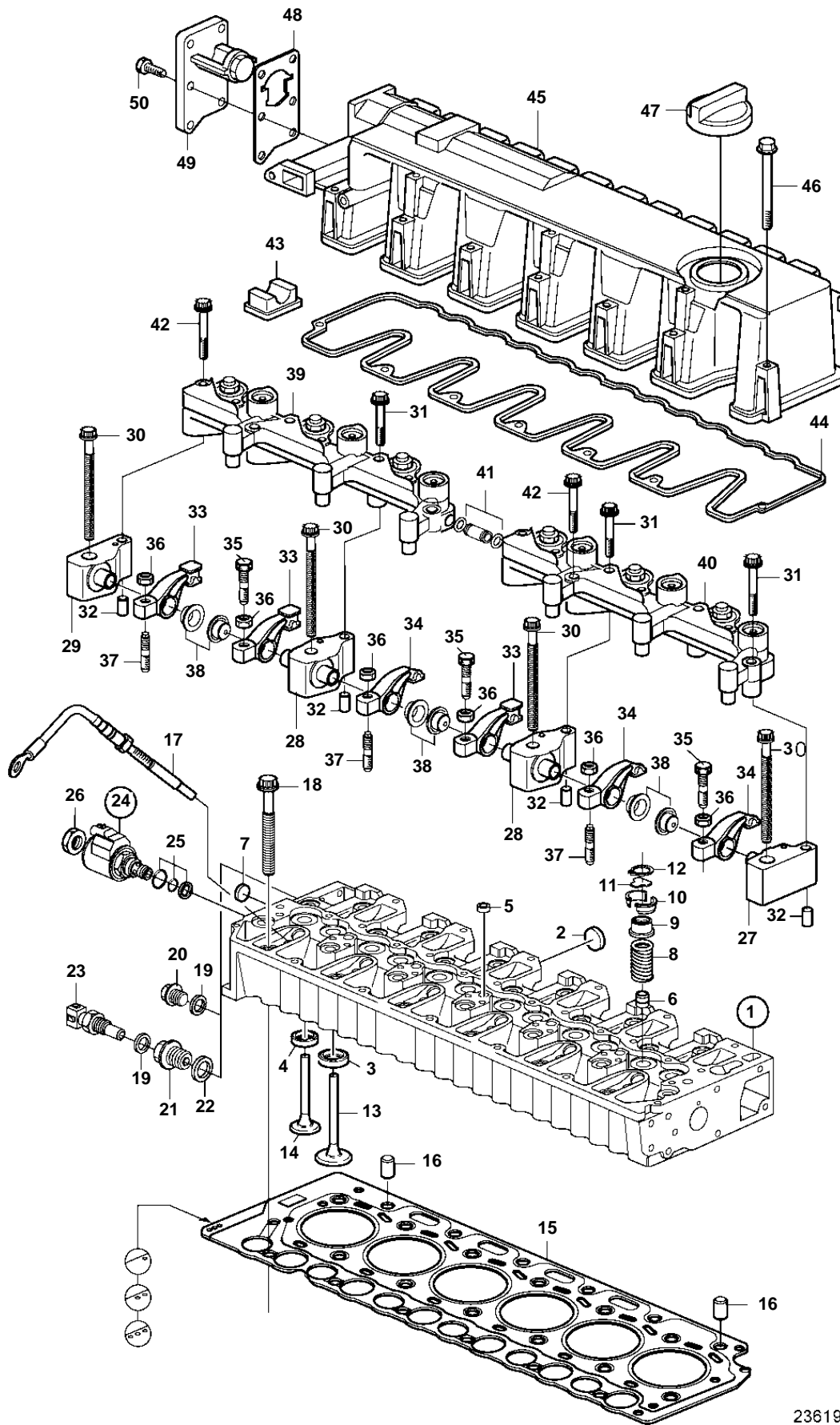


TAD660VE



23619

TAD660VE

| REF | PART NO. | QTY | DESCRIPTION | NOTES |
|-----|----------|-----|--------------------------|---|
| 1 | 3803974 | 1 | Cylinder head, exch | |
| 2 | 20412745 | 5 | · Plug | |
| 3 | 20849976 | 6 | · Valve seat, intake | |
| 4 | 20849979 | 6 | · Valve seat, exhaust | |
| 5 | 20412733 | 5 | · Plug | |
| 6 | 20459855 | 12 | · Valve stem seal | |
| 7 | 20792165 | 1 | · Plug | |
| 8 | 20459851 | 12 | · Valve spring | |
| 9 | 20840747 | 12 | · Spring washer | |
| 10 | 20459857 | 24 | · Valve collet | |
| 11 | 20840807 | 12 | · Thrust washer | |
| 12 | 20792103 | 12 | · Lock ring | |
| 13 | 20798699 | 6 | · Inlet valve | |
| 14 | 20798533 | 6 | · Exhaust valve | |
| 15 | 20798183 | 1 | Gasket, Cylinder Head | TH=1,26mm |
| | 20798186 | 1 | Gasket, Cylinder Head | TH=1,36mm |
| | 20798191 | 1 | Gasket, Cylinder Head | TH=1,46mm |
| 16 | 20459839 | 2 | Bushing | |
| 17 | 20783049 | 6 | Glow plug | 24V |
| 18 | 20459838 | 19 | Screw | |
| 19 | 969011 | 2 | Gasket | |
| 20 | 20405716 | 1 | Plug | |
| 21 | 20450683 | 1 | Adapter | |
| 22 | 947628 | 1 | Gasket | |
| 23 | 20513340 | 1 | Temperature sensor, fuel | (20450685) |
| 24 | 20795296 | 1 | Solenoid valve | |
| 25 | 20873253 | 1 | · Gasket kit | |
| 26 | 20845198 | 1 | · Nut | |
| 27 | 20799047 | 1 | Bearing bracket | |
| 28 | 20799053 | 5 | Bearing bracket | |
| 29 | 20799056 | 1 | Bearing bracket | |
| 30 | 20459837 | 7 | Screw | |
| 31 | 20799084 | 5 | Screw | |
| 32 | 20790837 | 7 | Locating pin | |
| 33 | 20792878 | 6 | Rocker arm | Rocker arm for hydraulic valve push. AGR- Module. |
| 34 | 20792876 | 6 | Rocker arm | |
| 35 | 20816389 | 6 | Adjuster screw | |
| 36 | 11700373 | 12 | Nut | |
| 37 | 20913851 | 6 | Adjuster screw | |
| 38 | 20794115 | 12 | Snap ring | |
| 39 | 20799568 | 1 | Agr-module, rear | |
| 40 | 20799570 | 1 | Agr-module, front | |
| 41 | 20798864 | 1 | Connector | |
| 42 | 20799085 | 6 | Screw | |
| 43 | 20412590 | 1 | Cover | |
| 44 | 20841035 | 1 | Gasket, valve cover | |
| 45 | 20841027 | 1 | Valve cover | |
| 46 | 20412601 | 13 | Screw | |
| 47 | 20412589 | 1 | Filler cap | |
| 48 | 20840801 | 1 | Gasket | |
| 49 | 20840827 | 1 | Oil distributor | |
| 50 | 20792158 | 6 | Screw | |