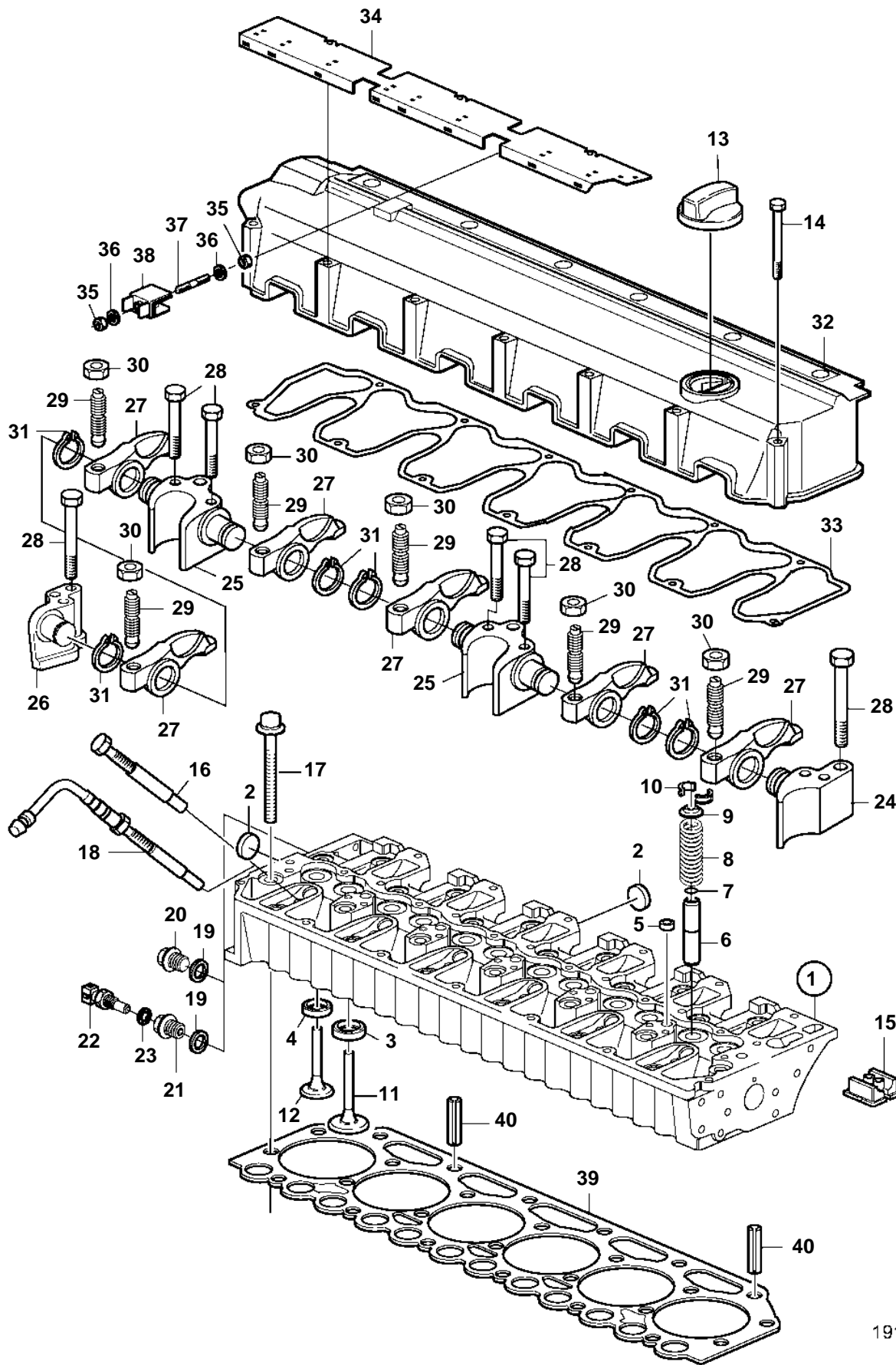


TAD720VE, TAD721VE, TAD722VE



19121

TAD720VE, TAD721VE, TAD722VE

REF	PART NO.	QTY	DESCRIPTION	NOTES
1	20489008	1	Cylinder head	
	3803664	1	Cylinder head, exch, exch	
	3803664	1	Cylinder head, exch	
2	20412745	5	· Plug	
3	20459962	6	· Valve seat, intake	STD, STD=49,09mm
	20580079	6	Valve seat, intake	O.S=0,20mm
	20580080	6	Valve seat, intake	O.S=0,40mm
4	20459963	6	· Valve seat, exhaust	STD, STD=43,60mm
	20580082	6	· Valve seat, exhaust	O.S=0,20mm
	20580083	6	· Valve seat	O.S=0,40mm
5	20412733	5	· Plug	
6	20405897	12	· Valve guide	STD, STD=15,00mm
	20580074	12	· Valve guide	O.S=0,25mm
	20580078	12	· Valve guide	O.S=0,50mm
7	976013	12	· O-ring	
8	11700347	12	· Valve spring	
9	11700346	12	· Washer	
10	11700345	24	· Valve collet	
11	20714469	6	· Inlet valve, intake	
12	20565912	6	· Exhaust valve, exhaust	
13	20412589	1	Filler cap	
14	20412601	13	Screw	
15	20412600	1	Cover	
16	20405895	6	Plug	
17	11700334	26	Screw	
18	20460459	6	Glow plug	12V
	20460458	6	Glow plug	24V
19	947628	2	Gasket	
20	20464451	1	Plug	
21	20450683	1	Adapter	
22	20513340	1	Temperature sensor, fuel	
23	969011	1	· Gasket	
24	11700367	1	Bearing bracket	
25	11700368	2	Bearing bracket	
26	11700369	1	Bearing bracket	
27	11700370	12	Rocker arm	
28	955305	14	Screw	
29	20405524	12	Adjuster screw	
30	11700373	12	Nut	
31	945495	12	Snap ring	
32	20412599	1	Valve cover	SN-01098545, When replacing the valve cover gasket is only earlier prod. in combination with earlier prod. valve cover permitted.
	20725338	1	Valve cover	Metal gasket only for valve cover: 20725338, SN01098546-
33	20412597	1	Gasket	SN-01098545, When replacing the valve cover gasket is only earlier prod. in combination with earlier prod. valve cover permitted.
	20725316	1	Gasket	Metal gasket only for valve cover: 20725338, SN01098546-
34	20450954	1	Cover plate	
35	20460344	2	Nut	
36	20460345	2	Washer	
37	20580716	1	Joint nipple	
38	20450956	1	Clamp	
39	20405900	1	Gasket	TH=1,54mm
	20405901	1	Gasket	TH=1,64mm
	20405902	1	Gasket	TH=1,74mm
40	20405521	2	Locating pin	