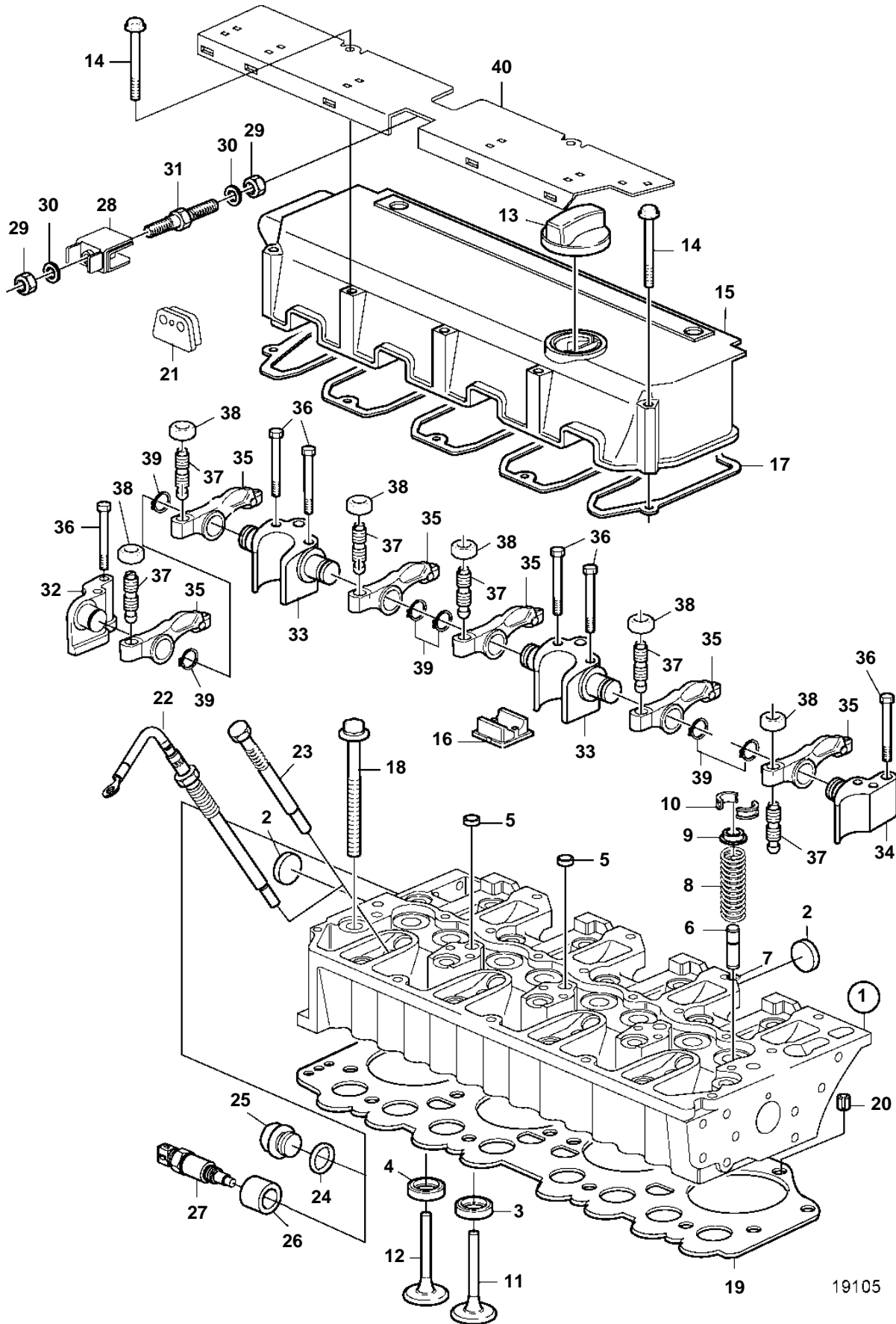


TAD520VE



TAD520VE

REF	PART NO.	QTY	DESCRIPTION	NOTES
1	20405500	1	Cylinder head	
	3803988	1	Cylinder head, exch, exch	
	3803988	1	Cylinder head, exch	
2	20412745	3	· Plug	
3	20459962	4	· Valve seat, intake	STD, STD=49,09mm
	20580079	4	· Valve seat, intake	O.S=0,20mm
	20580080	4	· Valve seat, intake	O.S=0,40mm
4	20459963	4	· Valve seat, exhaust	STD=43,60mm, STD
	20580082	4	Valve seat, exhaust	O.S=0,20mm
	20580083	4	Valve seat, exhaust	O.S=0,40mm
5	20412733	3	· Plug	
6	20405897	8	· Valve guide	STD, STD=15,00mm
	20580074	8	· Valve guide	O.S=0,25mm
	20580078	8	· Valve guide	O.S=0.50mm
7	976013	8	· O-ring	
8	11700347	8	· Valve spring	
9	11700346	8	· Washer	
10	11700345	16	· Valve collet	
11	20714469	4	· Inlet valve, intake	
12	20565912	4	· Exhaust valve, exhaust	
13	20412589	1	Filler cap	
14	20412601	9	Screw	
15	20412587	1	Valve cover	When replacing the valve cover gasket is only earlier prod. in combination with earlier prod. valve cover permitted., SN-08180877
	20725337	1	Valve cover	Metal gasket only for valve cover: 20725337, SN08180878-
16	20412590	1	· Cover	
17	20412588	1	Gasket	SN-08180877
	20725315	1	Gasket	SN08180878-, Metal gasket only for valve cover: 20725337
18	11700334	18	Screw	
19	11700335	1	Gasket	TH=1,54mm
	11700336	1	Gasket	TH=1,64mm
	11700337	1	Gasket	TH=1,74mm
20	20405521	2	Locating pin	
21	20405886	6	Rubber seal	
22	20460458	1	Glow plug	
23	20405895	4	Plug	
24	947628	1	Gasket	
25	20464451	1	Plug	
26	20405788	1	Insulating sleeve	
27	20543720	1	Temperature sensor, coolant water	(20405787), See section: contacts and sensors pos 4 & 6.
28	20450956	1	Clamp	
29	20460344	2	Nut	
30	20460345	2	Washer	
31	20580716	1	Joint nipple	
32	11700369	1	Bearing bracket	
33	11700368	3	Bearing bracket	
34	11700367	1	Bearing bracket	
35	11700370	8	Rocker arm	
36	955305	10	Screw	
37	20405524	8	Adjuster screw	
38	11700373	8	Nut	
39	945495	8	Snap ring	
40	20459964	1	Cover plate	