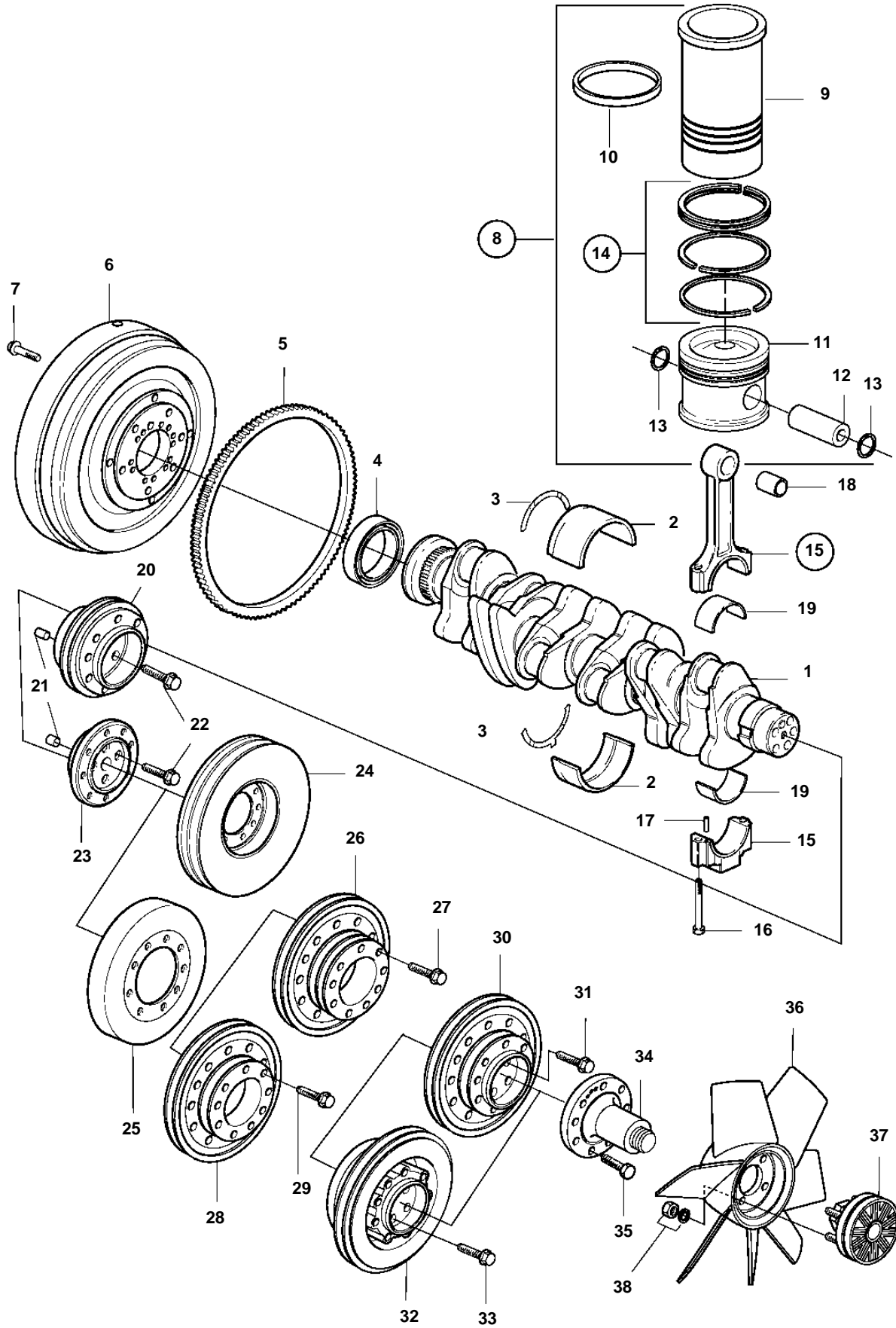


TAD722VE



TAD722VE

REF	PART NO.	QTY	DESCRIPTION	SEE SEC.	NOTES
1	20412323	1	Crankshaft		SN-01064130
	20724015	1	Crankshaft		SN-01099467
	20790461	1	Crankshaft		SN-01099468
	20875042	1	Crankshaft		SN01099469-
2	20405516	7	Main bearing kit		STD
	20405529	7	Main bearing kit		U.S=0,25mm
	20405541	7	Main bearing kit		U.S=0,50mm
3	20405899	1	Thrust washer kit		STD
	11700315	1	Thrust washer kit		O.S=0,20mm (3.1mm)
4		1	Crankshaft seal	5673	
5		1	Gear ring		SEE GROUP 21
6		1	Flywheel		SEE GROUP 21
7		10	Screw		SEE GROUP 21
8	888363	6	Cylinder liner kit		REPL BY 3843537
	3843537	6	Cylinder liner kit		
9		6	· Cylinder liner		
10	20412762	12	· O-ring		
11		6	· Piston		
12	20405577	6	· · Piston pin		
13	20405576	12	· · Lock ring		
14	20450775	6	· · Piston ring kit		
15	11700324	6	Connecting rod		Replaced by 20585982, SN-1099357
	20585982	6	Connecting rod		SN1099358-
16	11700326	12	· Screw		
17	20450823	6	· Pin		SN-1099357
	20459134	6	· Pin		SN1099358-
18	11700325	6	· Bushing		
19	20565150	6	Big end bearing kit		STD, (11700316), Only for 11700324, SN-1099357
	20717211	6	Big end bearing kit		SN-1099357, (11700317), Only for 11700324, U.S=0,25mm
	20565188	6	Big end bearing kit		Only for 11700324, U.S=0,50mm, SN-1099357, (11700318)
	20766790	6	Big end bearing kit		SN1099358-, STD
	20790423	6	Big end bearing kit		U.S=0,25mm, SN1099358-
	20717211	6	Big end bearing kit		SN1099358-, U.S=0,50mm
20	20460201	1	Pulley		For generator 120-140A., Inner pulley., Without fan and for fan mounted on crankshaft., For fan mounted on coolant pump
21	20405634	1	Locating pin		18X24
22	20405724	4	Screw		M16X1,5X80
23	20450843	1	Flange		
24	20460195	1	Vibration damper, (2&4)		Vibration damper with two V-belt groove., Without fan mounted on crankshaft or for fan mounted on coolant pump with alternator 140A., Fan mounted on crankshaft with alternator 140A.
25	20412598	1	Vibration damper, (STD,1,3)		For fan mounted on coolant pump with alternator low left mounted., Without fan and for fan mounted on crankshaft with alternator high right mounted or low left mounted., For fan at separate fan bracket.
26	20555448	1	Pulley		For fan at separate fan bracket., For fan height 292mm., i=1,0
27	20450849	9	Screw		
28	20460204	1	Pulley		For fan height 234mm., i=1,0, For fan at separate fan bracket.
29	20460205	9	Screw		M10X70
30	20508574	1	Pulley		For high mounted (right side) generator and AC down left., Without fan and for fan mounted on crankshaft.
31	20405724	4	Screw		
32	20515162	1	Pulley		Without fan and for fan mounted on crankshaft., For left side mounted generator.
33	20405724	4	Screw		
34	20460308	1	Adapter		L=63.5mm
	20460315	1	Adapter		L=107.5mm
35	20460309	9	Screw		M10X45
36		1	Fan	5848	
37		1	Fan hub	5848	
38		1	Nut	5848	

7743200 - 21 - 7874

20634

Upd: 2006-11-14

TAD520VE, TAD720VE, TAD721VE, TAD722VE

VOLVO
PENTA