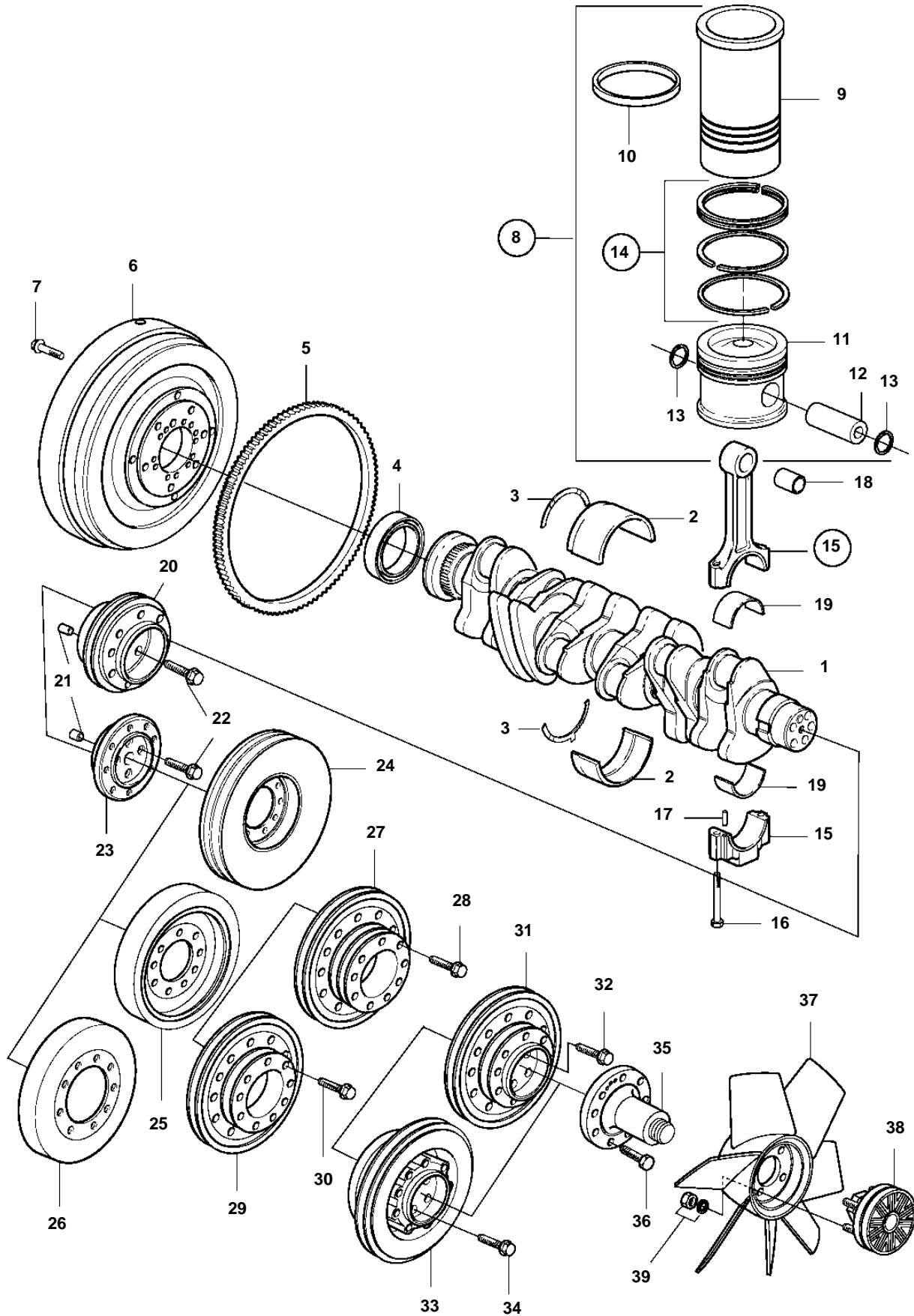


TAD720VE



TAD720VE

REF	PART NO.	QTY	DESCRIPTION	SEE SEC.	NOTES
1	20412323	1	Crankshaft		SN-01064130
	20724015	1	Crankshaft		SN-01099467
	20790461	1	Crankshaft		SN-01099468
	20875042	1	Crankshaft		SN01099469-
2	20405516	7	Main bearing kit		STD
	20405529	7	Main bearing kit		U.S=0,25mm
	20405541	7	Main bearing kit		U.S=0,50mm
3	20405899	1	Thrust washer kit		STD
	11700315	1	Thrust washer kit		O.S=0,20mm (3.1mm)
4		1	Crankshaft seal	5673	
5		1	Gear ring		SEE GROUP 21
6		1	Flywheel		SEE GROUP 21
7		10	Screw		SEE GROUP 21
8	3840278	6	Cylinder liner kit		REPL BY 3843536, SN779907-
	3843536	6	Cylinder liner kit		
9		6	· Cylinder liner		
10	20412762	12	· O-ring		
11		6	· Piston		
12	20405577	6	· · Piston pin		
13	20405576	12	· · Lock ring		
14	20450775	6	· · Piston ring kit		
15	11700324	6	Connecting rod		SN-1099357, Replaced by 20585982
	20585982	6	Connecting rod		SN1099358-
16	11700326	12	· Screw		
17	20450823	6	· Pin		SN-1099357
	20459134	6	· Pin		SN1099358-
18	11700325	6	· Bushing		
19	20565150	6	Big end bearing kit		(11700316), SN-1099357, Only for 11700324, STD
	20717211	6	Big end bearing kit		Only for 11700324, SN-1099357, (11700317), U.S=0,25mm
	20565188	6	Big end bearing kit		Only for 11700324, SN-1099357, (11700318), U.S=0,50mm
	20766790	6	Big end bearing kit		STD, SN1099358-
	20790423	6	Big end bearing kit		SN1099358-, U.S=0,25mm
	20717211	6	Big end bearing kit		SN1099358-, U.S=0,50mm
20	20460201	1	Pulley		Without fan and for fan mounted on crankshaft., Inner pulley., For fan mounted on coolant pump, For generator 120-140A.
21	20405634	1	Locating pin		18X24
22	20405724	4	Screw		M16X1,5X80
23	20450843	1	Flange		
24	20460195	1	Vibration damper, (2&4)		Vibration damper with two V-belt groove.
25	20412424	1	Vibration damper, (1&3)		
26	20412598	1	Vibration damper, STD		For fan at separate fan bracket.
27	20555448	1	Pulley		For fan height 292mm., For fan at separate fan bracket., i=1,0
28	20450849	9	Screw		
29	20460204	1	Pulley		For fan at separate fan bracket., i=1,0, For fan height 234mm.
30	20460205	9	Screw		M10X70
31	20508574	1	Pulley		Without fan and for fan mounted on crankshaft., For high mounted (right side) generator and AC down left.
32	20405724	4	Screw		
33	20515162	1	Pulley		For left side mounted generator., Without fan and for fan mounted on crankshaft., (20460198)
34	20405724	4	Screw		
35	20460308	1	Adapter		L=63.5mm
	20460315	1	Adapter		L=107.5mm
36	20460309	9	Screw		M10X45
37		1	Fan	5848	
38		1	Fan hub	5848	
39		1	Nut	5848	