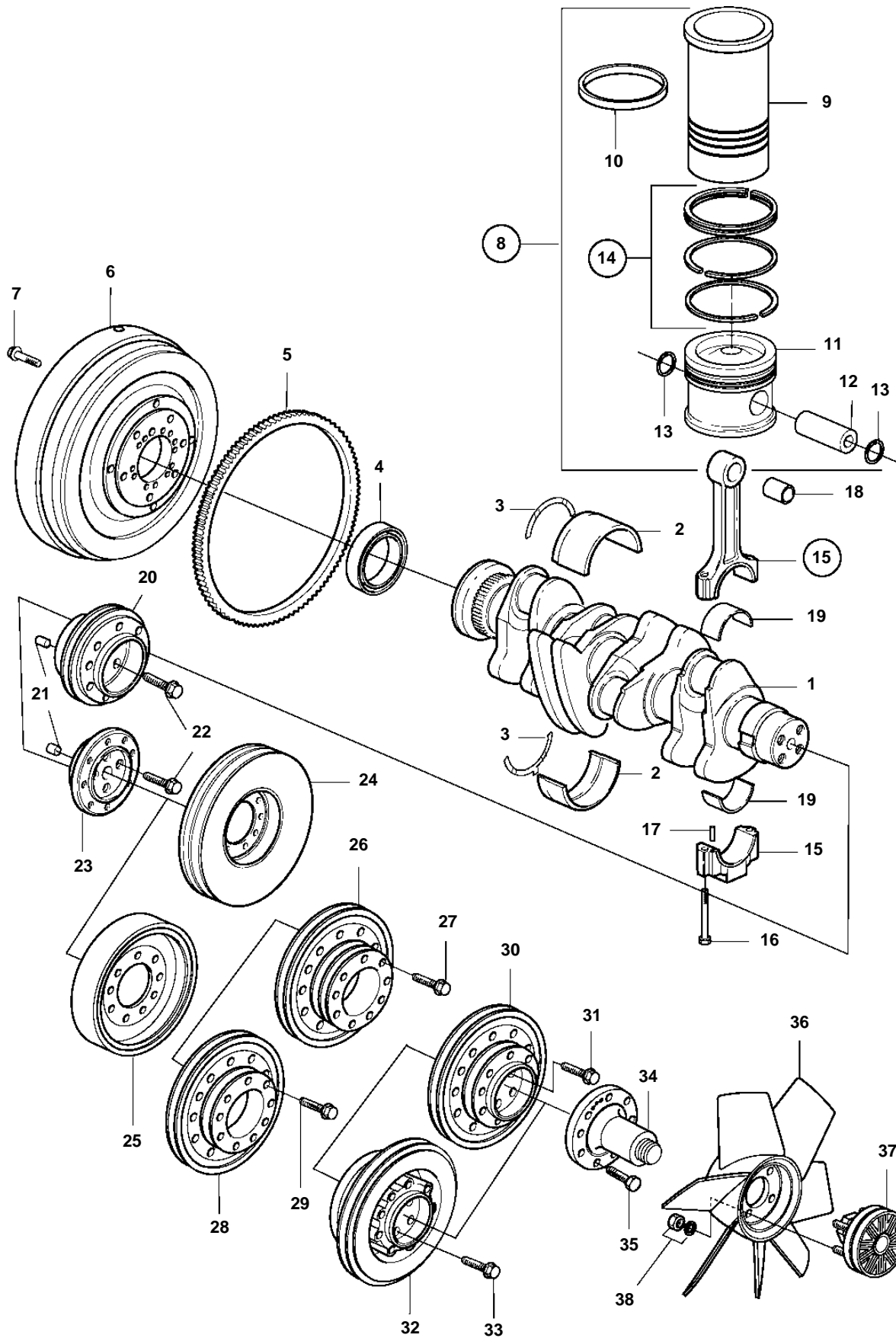


TAD520VE



## TAD520VE

REF	PART NO.	QTY	DESCRIPTION	SEE SEC.	NOTES
1	20405540	1	Crankshaft		SN01098272-
	20900811	1	Crankshaft		SN01098273-
2	20405516	5	Main bearing kit		STD
	20405529	5	Main bearing kit		U.S=0,25mm
	20405541	5	Main bearing kit		U.S=0,50mm
3	20405899	1	Thrust washer kit		STD
	11700315	1	Thrust washer kit		O.S=0,20mm (3.1mm)
4	20412286	1	Sealing ring	5673	
5		1	Gear ring		SEE GROUP 21
6		1	Flywheel		SEE GROUP 21
7		10	Screw		
8	3840278	4	Cylinder liner kit		REPL BY 3843536
	3843536	4	Cylinder liner kit		
9		4	· Cylinder liner		
10	20412762	8	· O-ring		
11		4	· Piston		
12	20405577	4	· · Piston pin		
13	20405576	8	· · Lock ring		
14	20405571	4	· · Piston ring kit		
15	11700324	4	Connecting rod		Replaced by 20585982, SN-1099357
	20585982	4	Connecting rod		SN1099358-
16	11700326	8	· Screw		
17	20450823	4	· Pin		SN-1099357
	20459134	4	· Pin		SN1099358-
18	11700325	4	· Bushing		
19	20565150	4	Big end bearing kit		(11700316), SN-1099357, STD
	20717211	4	Big end bearing kit		(11700317), U.S=0,25mm, SN-1099357
	20565188	4	Big end bearing kit		(11700318), U.S=0,50mm, SN-1099357
	20766790	4	Big end bearing kit		STD, SN1099358-
	20790423	4	Big end bearing kit		U.S=0,25mm, SN1099358-
	20717211	4	Big end bearing kit		SN1099358-, U.S=0,50mm
20	20460201	1	Pulley		Without fan and for fan mounted on crankshaft., For fan mounted on coolant pump, Inner pulley., For left side mounted generator.
21	20405634	1	Locating pin		18X24
22	20405724	4	Screw		Part has a unique replacement. The new part may be used in any case. The old part may ONLY used for engines that were org. eq. with this part.
23	20450843	1	Flange		
24	20460195	1	Vibration damper, (2&4)		Vibration damper with two V-belt groove.
25	20459925	1	Vibration damper, (STD&3)		
26	20555448	1	Pulley		For fan at separate fan bracket., (20509131), For fan height 292mm.
27	20450849	9	Screw		SN 00830049-, L=90mm
28	20460204	1	Pulley		For fan at separate fan bracket., For fan height 234mm., i=1,0
29	20460205	9	Screw		M10X70
30	20508574	1	Pulley		For high mounted (right side) generator and AC down left., Without fan and for fan mounted on crankshaft.
31	20405724	4	Screw		
32	20515162	1	Pulley		(20509114), For left side mounted generator., Without fan and for fan mounted on crankshaft.
33	20405724	4	Screw		
34	20460308	1	Adapter		L=63.5mm
	20460315	1	Adapter		L=107.5mm
35	20460309	9	Screw		M10X45
36		1	Fan	5848	
37		1	Fan hub	5848	
38		1	Nut	5848	