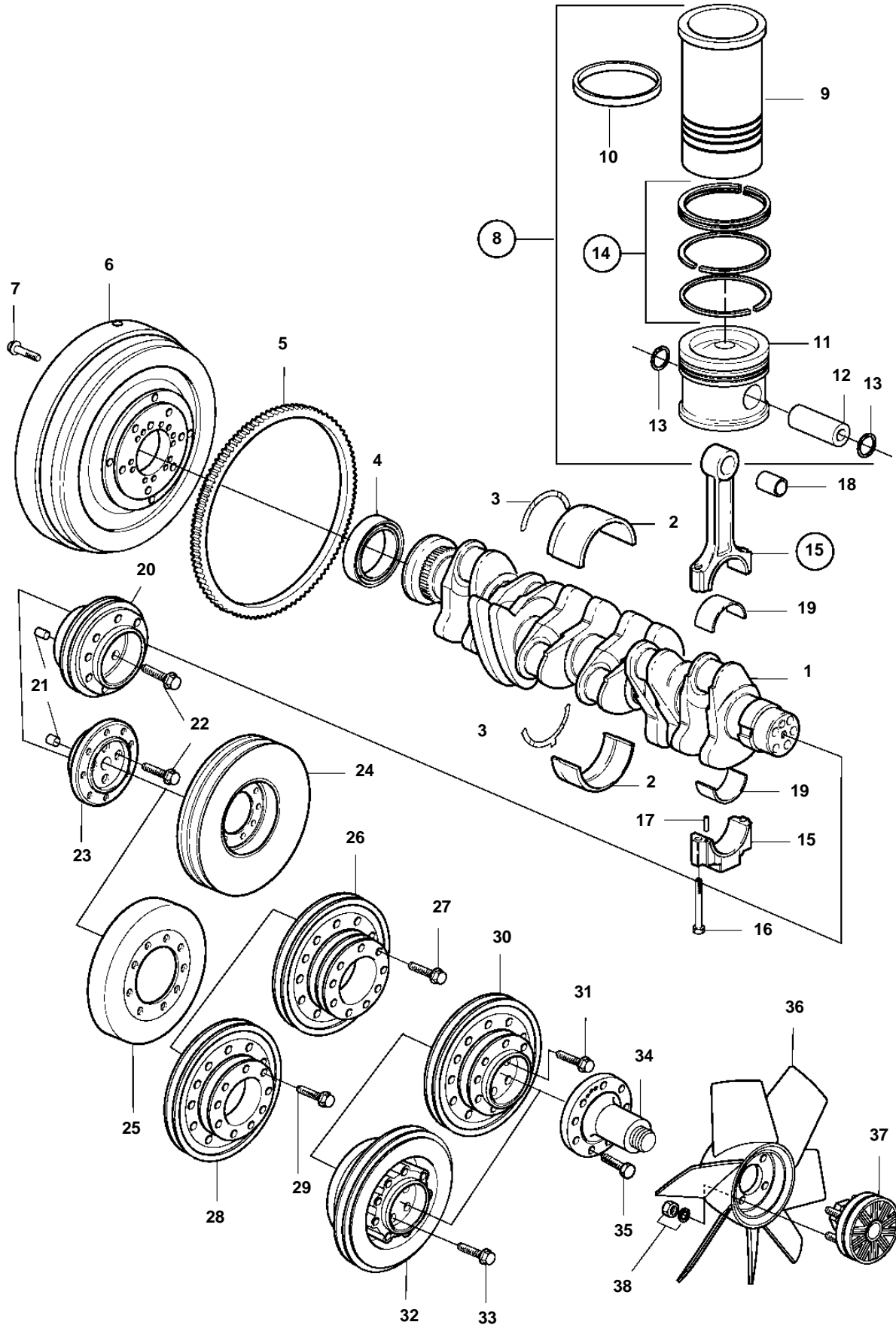


TAD721VE



TAD721VE

| REF | PART NO. | QTY | DESCRIPTION | SEE SEC. | NOTES |
|-----|----------|-----|-----------------------------|----------|------------------------------------------------------------------------------------------------------------------------------------------------------------------------------------------------------------|
| 1 | 20412323 | 1 | Crankshaft | | SN-01064130 |
| | 20724015 | 1 | Crankshaft | | SN-01099467 |
| | 20790461 | 1 | Crankshaft | | SN-01099468 |
| | 20875042 | 1 | Crankshaft | | SN01099469- |
| 2 | 20405516 | 7 | Main bearing kit | | STD |
| | 20405529 | 7 | Main bearing kit | | U.S=0,25mm |
| | 20405541 | 7 | Main bearing kit | | U.S=0,50mm |
| 3 | 20405899 | 1 | Thrust washer kit | | STD |
| | 11700315 | 1 | Thrust washer kit | | O.S=0,20mm (3.1mm) |
| 4 | | 1 | Crankshaft seal | 5673 | |
| 5 | | 1 | Gear ring | | SEE GROUP 21 |
| 6 | | 1 | Flywheel | | SEE GROUP 21 |
| 7 | | 10 | Screw | | SEE GROUP 21 |
| 8 | 888363 | 6 | Cylinder liner kit | | SN-779906, REPL BY 3843537 |
| | 3843537 | 6 | Cylinder liner kit | | |
| 9 | | 6 | · Cylinder liner | | |
| 10 | 20412762 | 12 | · O-ring | | |
| 11 | | 6 | · Piston | | |
| 12 | 20405577 | 6 | · · Piston pin | | |
| 13 | 20405576 | 12 | · · Lock ring | | |
| 14 | 20450775 | 6 | · · Piston ring kit | | |
| 15 | 11700324 | 6 | Connecting rod | | Replaced by 20585982, SN-1099357 |
| | 20585982 | 6 | Connecting rod | | SN1099358- |
| 16 | 11700326 | 12 | · Screw | | |
| 17 | 20450823 | 6 | · Pin | | SN-1099357 |
| | 20459134 | 6 | · Pin | | SN1099358- |
| 18 | 11700325 | 6 | · Bushing | | |
| 19 | 20565150 | 6 | Big end bearing kit | | Only for 11700324, SN-1099357, (11700316), STD |
| | 20717211 | 6 | Big end bearing kit | | (11700317), Only for 11700324, SN-1099357, U.S=0,25mm |
| | 20565188 | 6 | Big end bearing kit | | Only for 11700324, (11700318), SN-1099357, U.S=0,50mm |
| | 20766790 | 6 | Big end bearing kit | | SN1099358-, STD |
| | 20790423 | 6 | Big end bearing kit | | SN1099358-, U.S=0,25mm |
| | 20717211 | 6 | Big end bearing kit | | U.S=0,50mm, SN1099358- |
| 20 | 20460201 | 1 | Pulley | | Inner pulley., For fan mounted on coolant pump, Without fan and for fan mounted on crankshaft., For generator 120-140A. |
| 21 | 20405634 | 1 | Locating pin | | 18X24 |
| 22 | 20405724 | 4 | Screw | | M16X1,5X80 |
| 23 | 20450843 | 1 | Flange | | |
| 24 | 20460195 | 1 | Vibration damper, (2&4) | | Without fan mounted on crankshaft or for fan mounted on coolant pump with alternator 140A., Vibration damper with two V-belt groove., Fan mounted on crankshaft with alternator 140A. |
| 25 | 20412598 | 1 | Vibration damper, (STD,1,3) | | Without fan and for fan mounted on crankshaft with alternator high right mounted or low left mounted., For fan at separate fan bracket., For fan mounted on coolant pump with alternator low left mounted. |
| 26 | 20555448 | 1 | Pulley | | i=1,0, For fan height 292mm., For fan at separate fan bracket. |
| 27 | 20450849 | 9 | Screw | | |
| 28 | 20460204 | 1 | Pulley | | i=1,0, For fan height 234mm., For fan at separate fan bracket. |
| 29 | 20460205 | 9 | Screw | | M10X70 |
| 30 | 20508574 | 1 | Pulley | | For high mounted (right side) generator and AC down left., Without fan and for fan mounted on crankshaft. |
| 31 | 20405724 | 4 | Screw | | |
| 32 | 20515162 | 1 | Pulley | | For left side mounted generator., Without fan and for fan mounted on crankshaft. |
| 33 | 20405724 | 4 | Screw | | |
| 34 | 20460308 | 1 | Adapter | | L=63.5mm |
| | 20460315 | 1 | Adapter | | L=107.5mm |
| 35 | 20460309 | 9 | Screw | | M10X45 |
| 36 | | 1 | Fan | 5848 | |
| 37 | | 1 | Fan hub | 5848 | |
| 38 | | 1 | Nut | 5848 | |