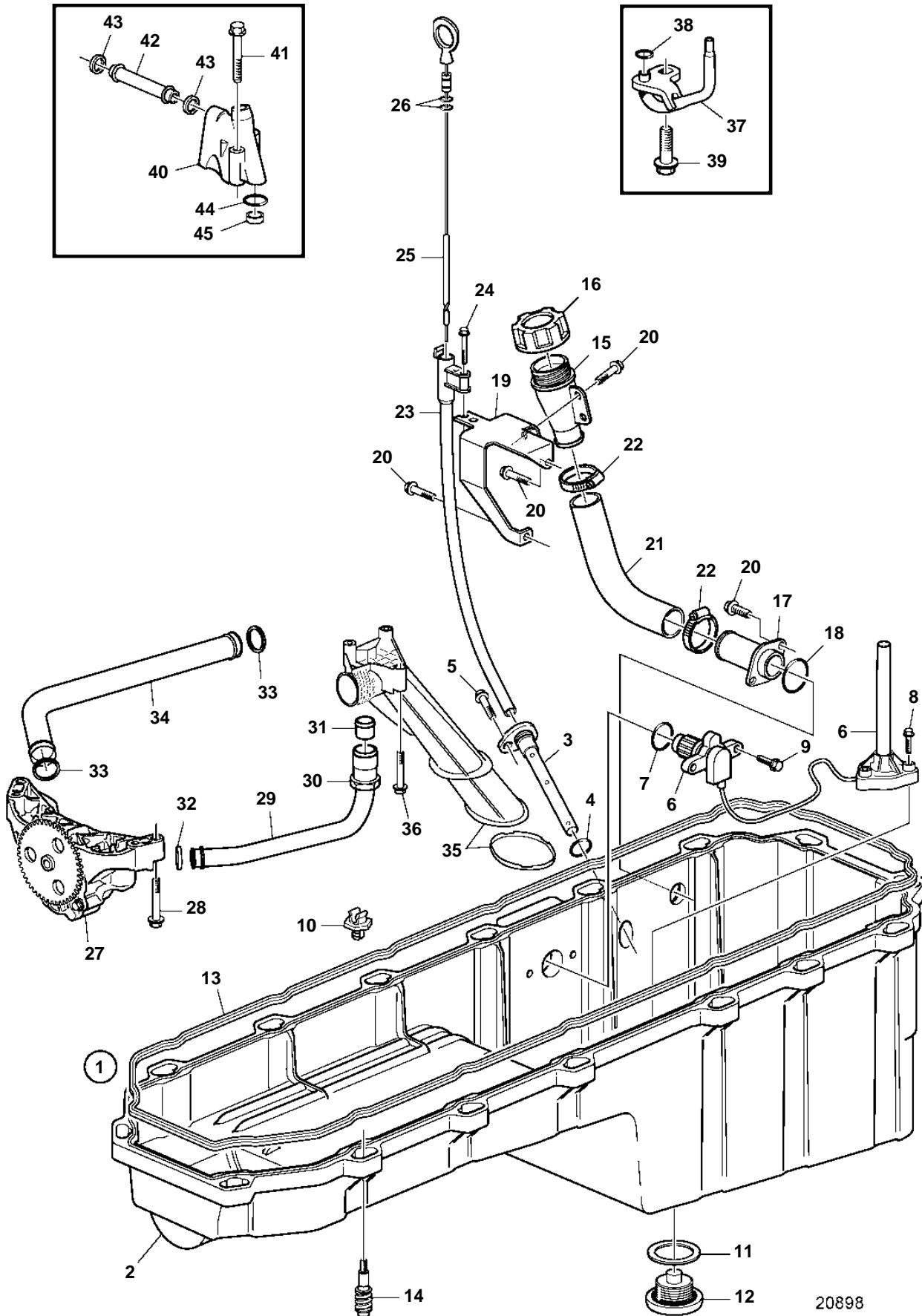


TAD1641VE, TAD1642VE



20898

TAD1641VE, TAD1642VE

REF	PART NO.	QTY	DESCRIPTION	NOTES
1	8131114	1	Oil pan	
2		1	· Oil pan	
3	20464233	1	· Pipe	
4	949656	1	· · O-ring	
5	946173	1	· Flange screw	
6	24424110	1	· Sender	
7	944126	1	· · O-ring	
8	948356	3	· Screw	
9	946934	2	· Flange screw	
10	8130088	2	· Clip	
11	20579690	1	· Gasket	
12	20556987	1	· Plug	
13	8131115	1	Sealing strip	
14	20463185	16	Flange screw	
15	20486942	1	Oil filler pipe	
16	3154328	1	· Oil filler cap	
17	3837033	1	Pipe	
18	421629	1	Sealing ring	
19	3829069	1	Bracket	
20	946440	6	Flange screw	
21	3831383	1	Hose	
22	943476	2	Hose clamp	
23	3829068	1	Pipe	L=369mm
24	975371	1	6 point socket screw	
25	3829070	1	Dipstick	
26	949187	2	· O-ring	
27	20553753	1	Oil pump	
28	1547887	4	Screw	
29	20553755	1	Pressure pipe	
30		1		
31	980790	1	· Ferrule	
32	1543578	1	Sealing ring	
33	421629	2	Sealing ring	
34	20553751	1	Connection pipe	
35	20547257	1	Oil pump screen	
36	977275	3	Flange screw	
37	3839496	6	Jet	
38	955982	6	· O-ring	
39	966378	6	· Flange screw	
40	8170702	1	Intermediate section	
41	3165142	2	Flange screw	
42	8131143	1	Outlet pipe	
43	1677370	2	Sealing ring	
44	1636309	1	Sealing ring	
45	20488342	1	Spacer sleeve	