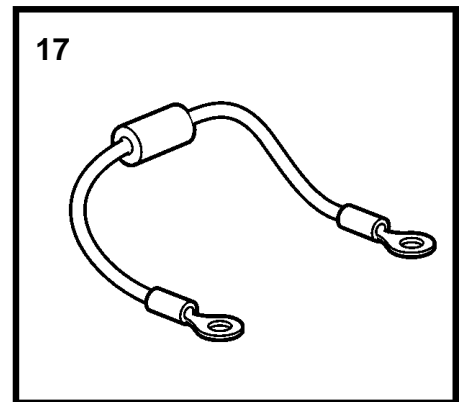
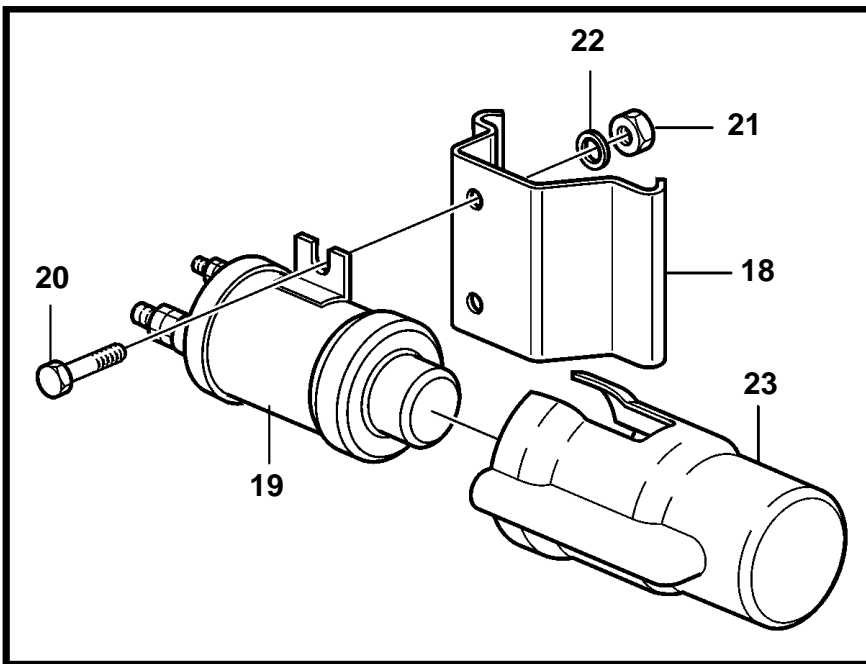
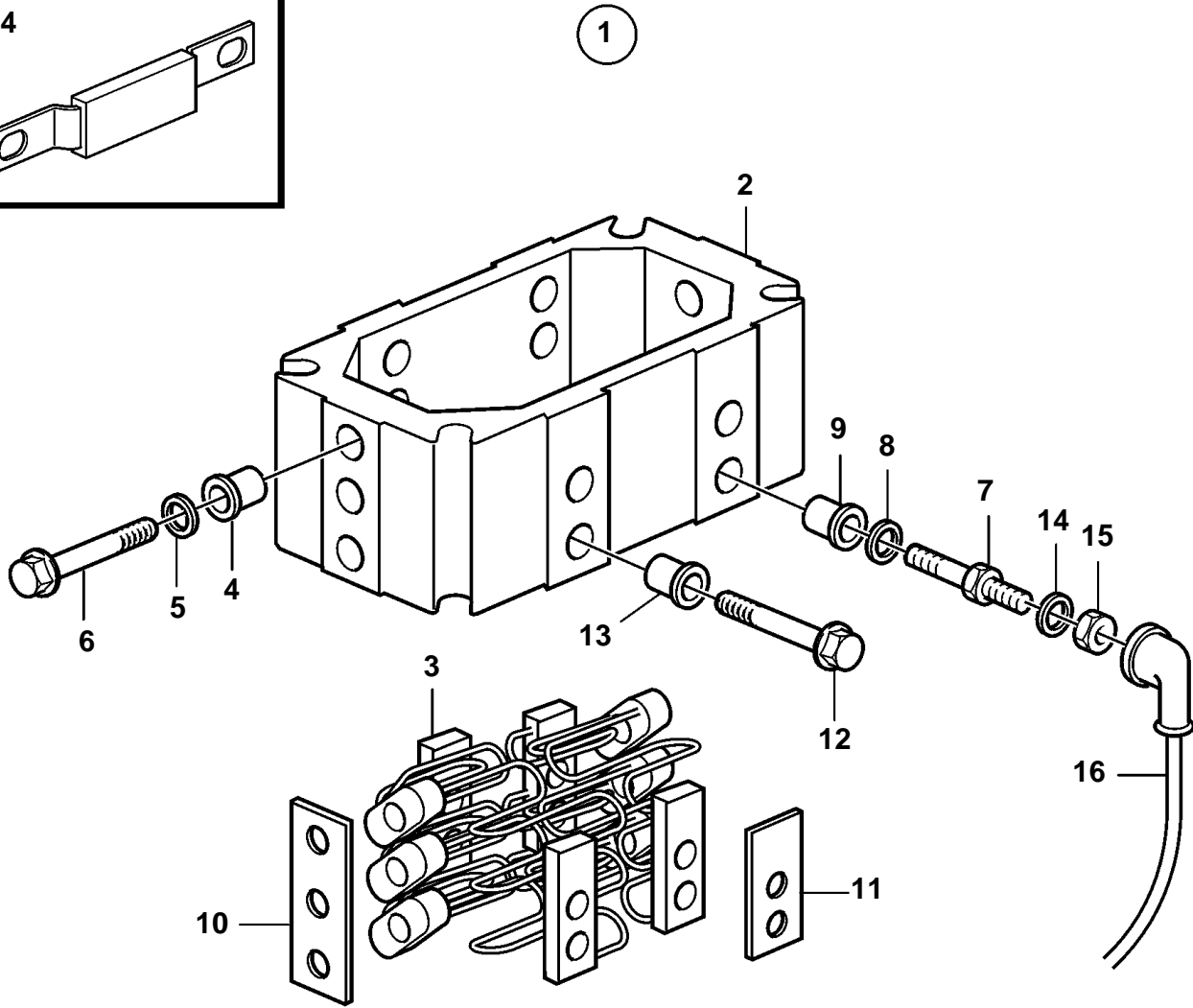
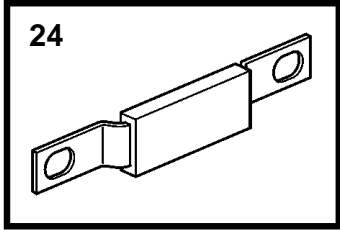


TAD1641VE, TAD1642VE



19951

TAD1641VE, TAD1642VE

REF	PART NO.	QTY	DESCRIPTION	
1	3834466	1	Starter element	
2		1	· Intermediate section	
3		1	· Wire element	
4	468468	12	· Sleeve	
5	191156	12	· Washer	
6	949652	12	· Screw	
7	468825	2	· Terminal screw	
8	192288	2	· Washer	
9	468511	2	· Bushing	
10		2	· Isolation plate	
11		4	· Isolation plate	
12	949578	1	Screw	SO
13	478896	1	Sleeve	
14	955894	1	Washer	
15	17624	2	Nut	
16	3587424	1	Wiring harness	
17	873789	1	Diode	
18	471476	1	Attaching plate	
19	873962	1	Relay	
20	969405	2	6 point socket screw	
21	949874	2	Lock nut	
22	940090	2	Washer	
23	1581123	1	Cover	
24	421692	1	Support	