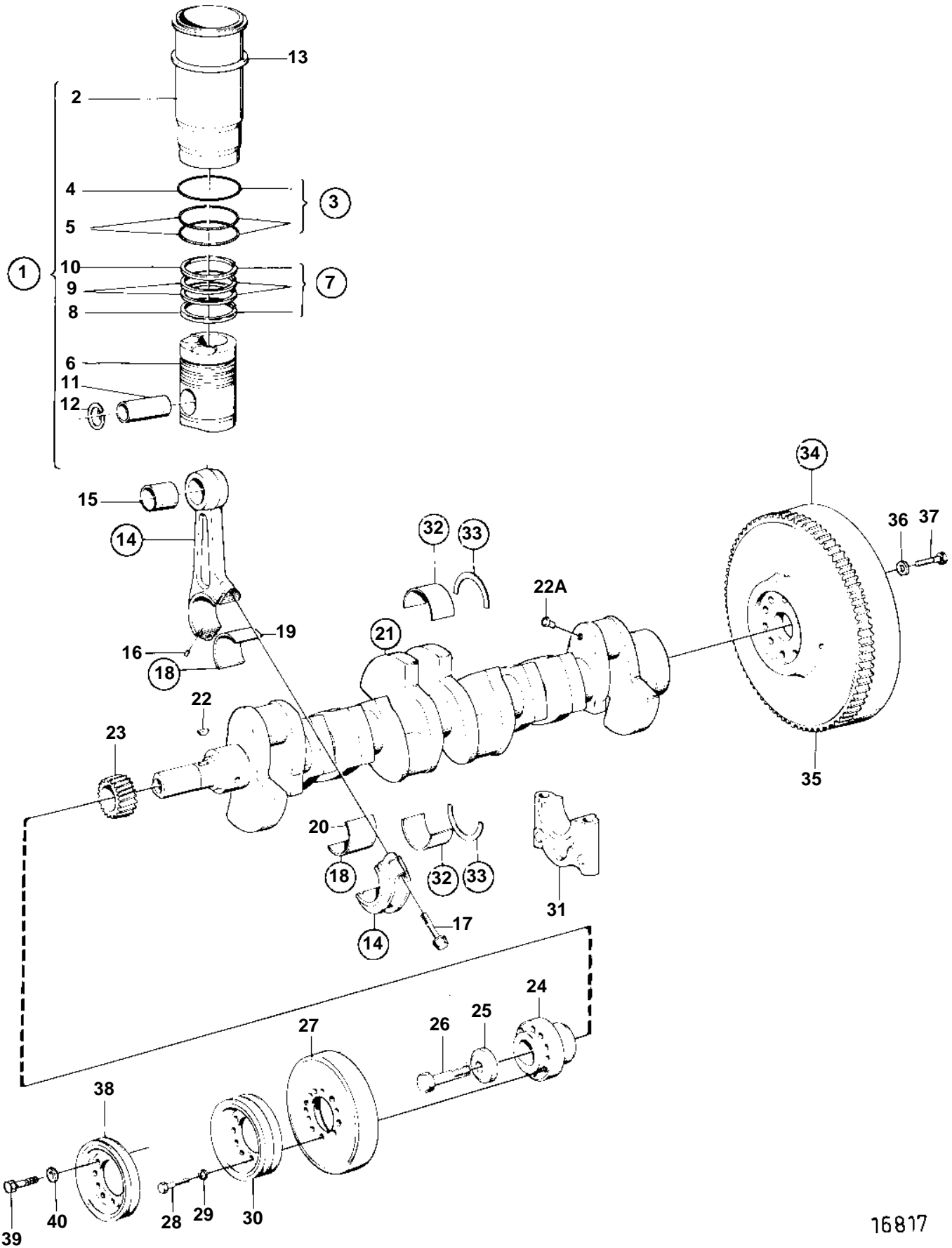


TD100G-87



16817

## TD100G-87

REF	PART NO.	QTY	DESCRIPTION	SEE SEC.	NOTES
1	275627	6	Cylinder liner kit		
2		6	· Cylinder liner		
3	271157	6	· Sealing ring kit		
4		6	· · Sealing ring		
5		6	· · Sealing ring		
		6	· · Sealing ring		
6		6	· Piston		
7	275084	6	· Piston ring kit		
8		6	· · Oil scraper ring		
9		6	· · Compression ring		
10		6	· · Compression ring		
11	8194539	6	· Piston pin		(479873)
12	417466	12	· Lock ring		
13	422619	X	Shim		TH=0,20mm
	422620	X	Shim		TH = 0,30mm
	422621	X	Shim		TH = 0,50mm
14	846731	6	Connecting rod		
15	1545302	6	· Bushing		
16		12	· Pin		
17	1545479	12	· Screw		
18	270124	6	Big end bearing kit		STD D
	270125	6	Big end bearing kit		U.S=0,25mm
	270126	6	Big end bearing kit		U.S=0,50mm
		6	Big end bearing kit		U.S=0,75mm
	270128	6	Big end bearing kit		U.S=1,00mm
	270129	6	Big end bearing kit		U.S=1,25mm
19		6	· Bearing shell, upper		
20		6	· Bearing shell, lower		
21	3826010	1	Crankshaft		CLASSIFIED (3826009)
22	422253	1	· Woodruff key		
22A	978130	6	· Plug		
23	423080	1	Crankshaft gear		
			· Bulletin 45-01	45-01-EN	Timing Gears, 71, 100, 121
24	470595	1	Hub		
25	422124	1	Washer		
26	941494	1	Screw		
27	866135	1	Pulley		
28	955550	12	Screw		
29	941909	12	Spring washer		
30	843600	1	Pulley		3 GROOVES
31		7	Main bearing cap		
32	270438	7	Main bearing kit		STD D
	270439	7	Main bearing kit		U.S=0,25mm
	270440	7	Main bearing kit		U.S=0,50mm
	270441	7	Main bearing kit		U.S=0,75mm
	270442	7	Main bearing kit		U.S=1,00mm
	270443	7	Main bearing kit		U.S=1,25mm
33	276758	1	Thrust washer kit		STD D
	276759	1	Thrust washer kit		O.S=0,10mm
	276760	1	Thrust washer kit		O.S=0,20mm
	276761	1	Thrust washer kit		0,30mm OVER SIZE
34	864997	1	Flywheel, 14 hole		STD
	3825926	1	Flywheel, 14 hole		TWIN DISC 6 F-1509-1
	866776	1	Flywheel, 14 hole		CLARK 34000, C5000, C8000
	3825104	1	Flywheel, 14 hole		CLARK 36000
	3825924	1	Flywheel, 14 hole		ZFWG180, 200HN500
	425740	1	Flywheel, 14 hole		FORKLIFT-LV
35	420794	1	· Gear ring		
36	467773	14	Washer, 14 hole for flywheel		
37	478717	14	Screw, 14 hole for flywheel		
	941570	14	Screw, 14 hole for flywheel		FOR 3825104
38	844615	1	Pulley		ALT 1 GROOVE
	844591	1	Pulley		ALT 2 GROOVES

TD100G-87

REF	PART NO.	QTY	DESCRIPTION	SEE SEC.	NOTES
38	845845	1	Pulley		ALT 6 GROOVES
39	955552	12	Screw		FOR 844615,844591
	955551	12	Screw		FOR 845845
40	941909	12	Spring washer		