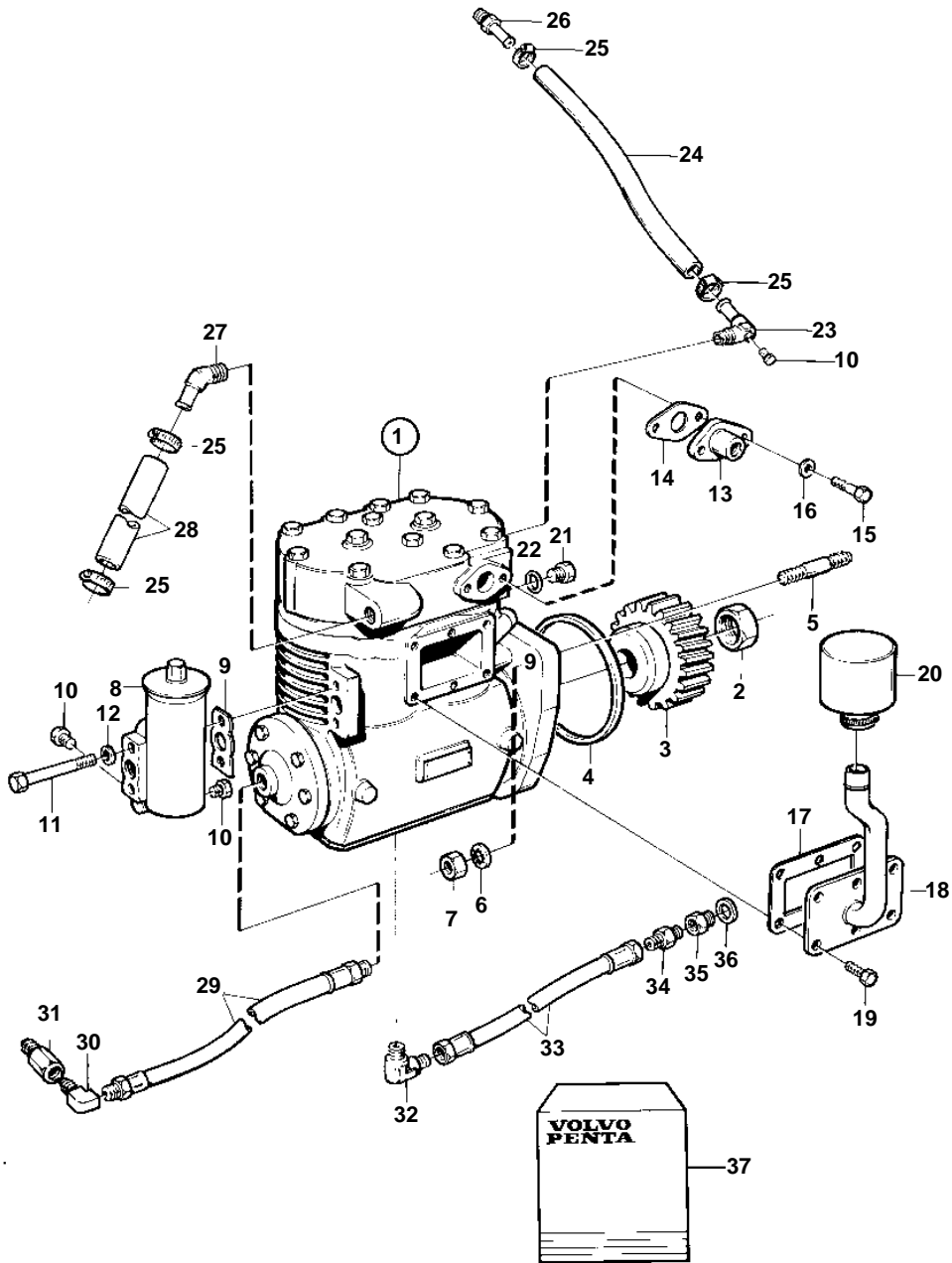


TAD1030V, TWD1031VE



15043

TAD1030V, TWD1031VE

REF	PART NO.	QTY	DESCRIPTION	SEE SEC.	NOTES
1	1080437	1	Compressor		E.U=3803136
	3803136	1	Compressor, exch, exch		E.U=3803136
2	1518355	1	· Nut		
3	478289	1	Gear		
			· Bulletin 45-01	45-01-EN	Timing Gears, 71, 100, 121
4	975610	1	O-ring		
5	953346	3	Stud		
6	941911	3	Spring washer		
7	955828	3	Nut		
8	3944253	1	Regulator		
9	1626068	1	Gasket		
10	479979	4	Plug		
11	965218	2	Screw		
12	941907	2	Spring washer		
	946048	2	Spacer washer		FOR 3944253
13	330634	1	Flange		
14	1619957	1	Gasket		
15	955297	2	Screw		
16	941907	2	Spring washer		
17	3028016	1	Gasket		
18	864938	1	Air inlet		
19	967949	6	Screw		(965175)
20	8152009	1	Filter		
21	960628	1	Plug		
22	957173	1	Gasket		
23	192531	1	Nipple		
24	941522	X	Hose		L=95mm
25	943472	4	Hose clamp		
26	479978	1	Nipple		
27	941534	1	Elbow nipple		
28	941522	X	Hose		L=170mm
29	1507501	1	Hose		
30	180110	1	Elbow nipple		
31	835980	1	Nipple		
32	944276	1	Nipple		
33	966600	1	Hose		
34	326576	1	Nipple		
35	944727	1	Nipple		
36	18818	1	Gasket		
37	3090471	1	Repair kit, air compr.		