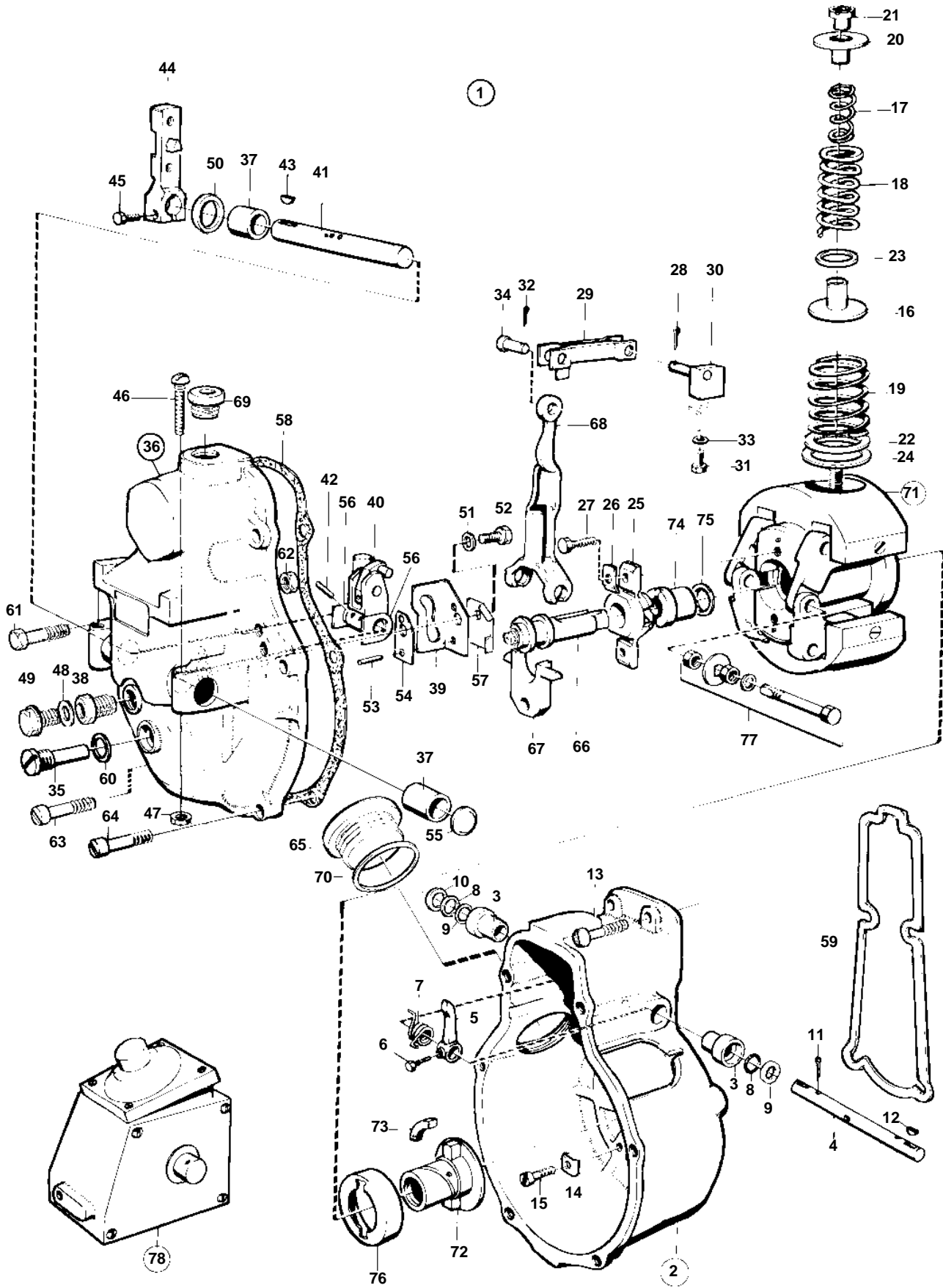


TWD1031VE



TWD1031VE

| REF | PART NO. | QTY | DESCRIPTION       | NOTES       |
|-----|----------|-----|-------------------|-------------|
| 1   | 3825262  | 1   | Governor          |             |
| 2   |          | 1   | · Housing         |             |
| 3   |          | 2   | · · Bushing       |             |
| 4   |          | 1   | · · Shaft         |             |
| 5   |          | 1   | · · Lever         |             |
| 6   |          | 1   | · · Screw         |             |
| 7   |          | 1   | · · Spring        |             |
| 8   |          | 2   | · · Gasket        |             |
| 9   |          | 2   | · · Washer        |             |
| 10  |          | X   | · · Washer        | TH = 0,30mm |
| 11  |          | 2   | · · Lock pin      |             |
| 12  | 77582    | 1   | · · Key           |             |
| 13  |          | 2   | · Screw           |             |
| 14  |          | 4   | · Washer          |             |
| 15  | 862428   | 6   | · Screw           |             |
| 16  |          | 2   | · Spring disc     |             |
| 17  |          | 2   | · Spring          |             |
| 18  |          | 2   | · Spring          |             |
| 19  | 11992156 | 2   | · Spring          |             |
| 20  |          | 2   | · Spring disc     |             |
| 21  |          | 2   | · Nut             |             |
| 22  |          | X   | · Shim            | TH = 0,30mm |
| 23  |          | X   | · Shim            | TH = 0,50mm |
| 24  |          | X   | · Washer          | TH = 0,50mm |
| 25  |          | 1   | · Guide bushing   |             |
| 26  |          | 2   | · Striker plate   |             |
| 27  | 955271   | 2   | · Screw           |             |
| 28  |          | 1   | · Striker plate   |             |
| 29  |          | 1   | · Link yoke       |             |
| 30  |          | 1   | · Guide lug       |             |
| 31  |          | 2   | · Screw           |             |
| 32  |          | 1   | · Striker plate   |             |
| 33  |          | 2   | · Washer          |             |
| 34  |          | 1   | · Bolt            |             |
| 35  |          | 1   | · Guide screw     |             |
| 36  |          | 1   | · Housing         |             |
| 37  |          | 2   | · · Bushing       |             |
| 38  |          | 1   | · · Bushing       |             |
| 39  |          | 1   | · · Angle piece   |             |
| 40  |          | 1   | · · Spindle arm   |             |
| 41  |          | 1   | · · Shaft         |             |
| 42  |          | 2   | · · Pin           |             |
| 43  | 910112   | 1   | · · Key           |             |
| 44  | 239316   | 1   | · · Lever         |             |
| 45  | 1698743  | 1   | · · Screw         |             |
| 46  |          | 1   | · · Screw         |             |
| 47  | 955781   | 1   | · · Nut           |             |
| 48  | 18836    | 1   | · · Gasket        |             |
| 49  |          | 1   | · · Screw         |             |
| 50  |          | 1   | · · Sealing ring  |             |
| 51  | 941906   | 1   | · · Spring washer | (955919)    |
| 52  | 955273   | 1   | · · Screw         |             |
| 53  |          | 2   | · · Pin           |             |
| 54  |          | X   | · · Plate         | TH=0,20mm   |
|     |          | X   | · · Plate         | TH = 0,30mm |
|     |          | X   | · · Plate         | TH = 0,80mm |
|     |          | X   | · · Plate         | TH = 0,50mm |
| 55  |          | 1   | · · Lock washer   |             |
| 56  |          | 2   | · · Washer        |             |
| 57  |          | 1   | · · Striker plate |             |
| 58  |          | 1   | · · Gasket        |             |
| 59  |          | 1   | · Gasket          |             |
| 60  | 18836    | 1   | · Gasket          |             |

7738460 - 23 - 2035

15836

Upd: 2006-11-24

TAD1030V, TD100G-87, TD1030VE, TWD1031VE

**VOLVO**  
**PENTA**

TWD1031VE

| REF | PART NO. | QTY | DESCRIPTION          | NOTES       |
|-----|----------|-----|----------------------|-------------|
| 61  |          | 1   | • Screw              | L=24mm, ALT |
|     |          | 1   | • Screw              | L=29mm, ALT |
| 62  |          | 1   | • Nut                |             |
| 63  |          | 1   | • Screw              |             |
| 64  |          | 1   | • Screw              |             |
| 65  |          | 1   | • Plug               |             |
| 66  |          | 1   | • Adjusting screw    |             |
| 67  |          | 1   | • Link section       |             |
| 68  |          | 1   | • Lever              |             |
| 69  |          | 1   | • Plug               |             |
| 70  |          | 1   | • Gasket             |             |
| 71  |          | 1   | • Weight kit         |             |
| 72  |          | 1   | • • Companion flange |             |
| 73  |          | 4   | • • Rubber buffer    |             |
| 74  |          | 1   | • • Companion flange |             |
| 75  |          | X   | • • Shim             | TH = 1,60mm |
|     |          | X   | • • Shim             | TH = 1,63mm |
|     |          | X   | • • Shim             | TH=1,66mm   |
|     |          | X   | • • Shim             | TH = 1,69mm |
|     |          | X   | • • Shim             | TH = 1,72mm |
|     |          | X   | • • Shim             | TH = 1,75mm |
|     |          | X   | • • Shim             | TH = 1,78mm |
|     |          | X   | • • Shim             | TH = 1,81mm |
|     |          | X   | • • Shim             | TH = 1,84mm |
|     |          | X   | • • Shim             | TH = 1,87mm |
|     |          | X   | • • Shim             | TH = 1,90mm |
|     |          | X   | • • Shim             | TH = 1,93mm |
|     |          | X   | • • Shim             | TH = 1,96mm |
|     |          | X   | • • Shim             | TH=1,99mm   |
|     |          | X   | • • Shim             | TH=2,02mm   |
|     |          | X   | • • Shim             | TH=2,05mm   |
|     |          | X   | • • Shim             | TH=2,08mm   |
|     |          | X   | • • Shim             | TH=2,11mm   |
|     |          | X   | • • Shim             | TH=2,14mm   |
| 76  |          | 1   | • Cardboard tube     |             |
| 77  |          | 1   | • Screw, kit         |             |
| 78  |          | 1   | • Smoke limiter      |             |