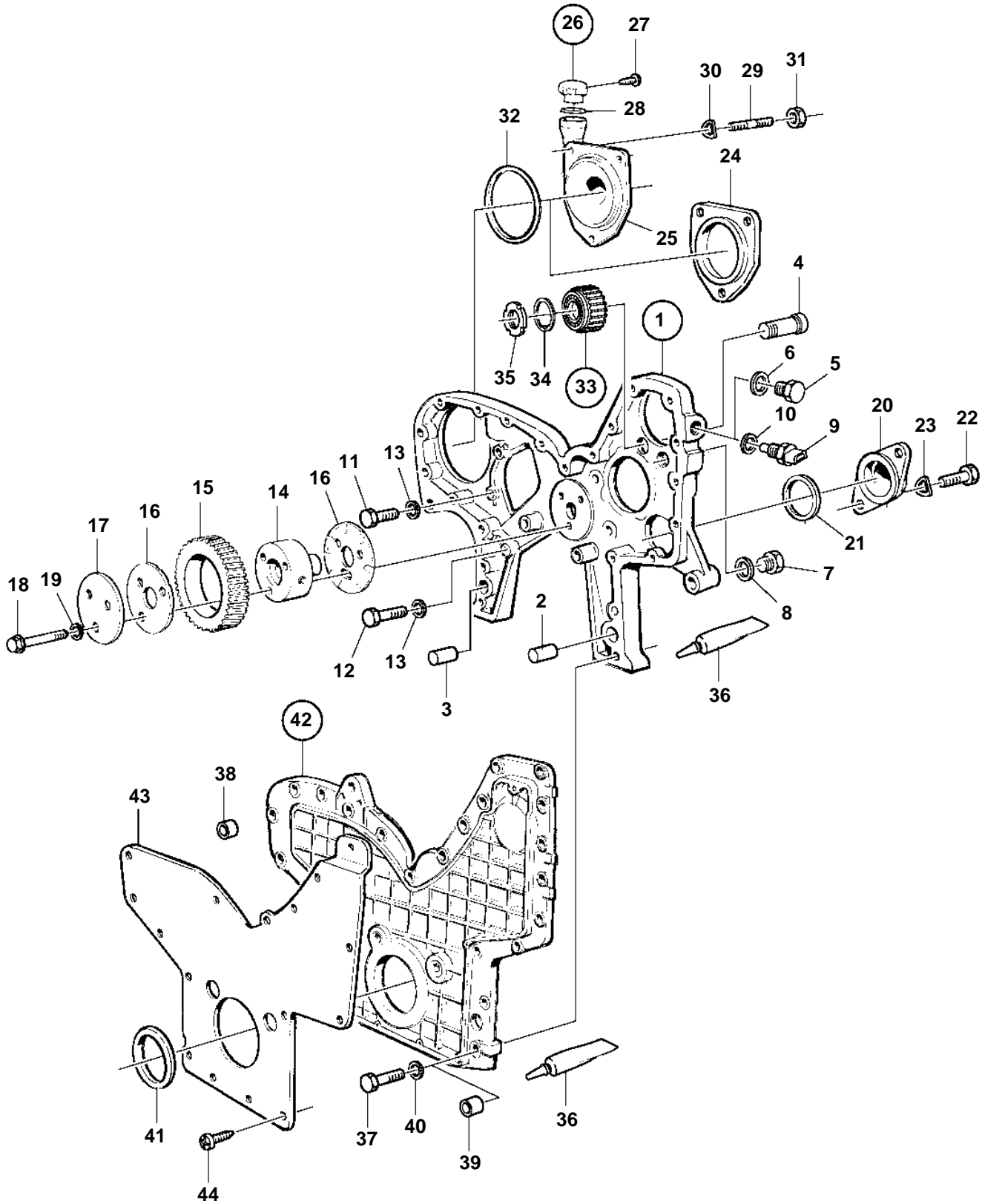


TD1030VE, TWD1031VE



TD1030VE, TWD1031VE

REF	PART NO.	QTY	DESCRIPTION	NOTES
1	479666	1	Timing gear casing	REPL BY 8194639
	8194639		Timing gear casing	
2	941510	1	• Pin, 18x48mm	
3	941511	1	• Pin, 18x56mm	
4	8194626	1	• Pin	
5	960633	2	• Plug	M20
6	947625	2	• Gasket	
7	192114	1	Plug	7/8UNF
8	18677	1	Gasket	
9	862289	1	Sender, rpm	
10	949656	1	O-ring	
11	941939	4	Screw	L=29mm
12	955537	1	Screw	L=51mm
13	942336	5	Spring washer	
14	8192636	1	Pin	(479779)
15	479653	1	Gear	
16	478951	2	Thrust washer	
17	478954	1	Bearing shield	
18	468738	3	Screw	
19	942180	3	Washer	
20	468093	1	Cover, hydraulic pump	
21	468094	1	Sealing ring	
22	955535	2	Screw	
23	942336	2	Spring washer	
24	420178	1	Cover, air compr.	
25	849197	1	Tube, oil filling	
26	421753	1	Oil filler cap	
27	955126	3	• Screw	
28	1275379	1	Gasket	
29	953346	3	Stud	
30	941911	3	Spring washer	
31	955828	3	Nut	
32	975610	1	O-ring	
33	478959	1	Idler gear, incl. bearing	
34	914532	1	• Snap ring	
35	478955	1	Round nut	
36	1161231	X	Sealant	304ml
	1161277	X	Sealant	10g
37	941939	4	Screw	L=28,6mm
	940162	10	Screw	L=38mm
	955536	2	Screw	L=45mm
	940156	1	Screw, cable attachment	L=89mm
	955540	2	Screw	L=70mm
	955542	9	Screw	L=83mm
	955544	1	Screw, cable attachment	L=102mm
38	821540	1	Spacer sleeve, cable attachment	L=22mm
39	820916	1	Spacer sleeve, cable attachment	L=38mm
40	942336	27	Spring washer	
41	424983	1	Sealing ring	
42	479652	1	Timing gear cover	
43	479625	1	• Plate	
44	972542	16	• Screw	(972541)