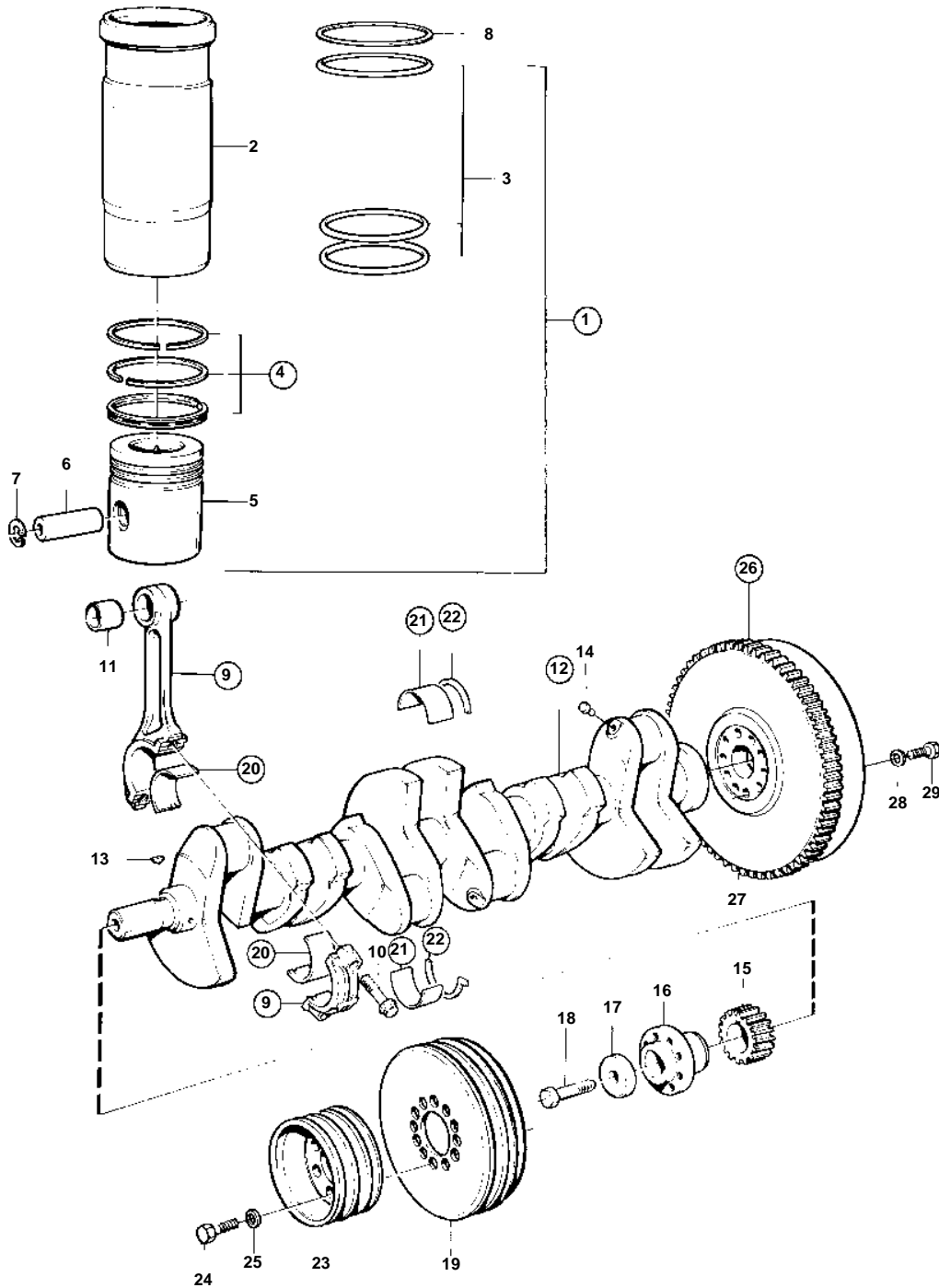


TAD1030V



15200

TAD1030V

REF	PART NO.	QTY	DESCRIPTION	SEE SEC.	NOTES
1	876620	6	Cylinder liner kit		
2		6	· Cylinder liner		
3	271157	6	· Sealing ring kit		
4	876712	6	· Piston ring kit		
5		6	· Piston		
6	8194539	6	· Piston pin		(479873)
7	417466	12	· Lock ring		
8	422619	X	Shim		TH=0,20mm
	422620	X	Shim		TH = 0,30mm
	422621	X	Shim		TH = 0,50mm
9	846731	6	Connecting rod		CLASSIFIED
10	1545479	12	· Screw		
11	1545302	6	· Bushing		
12	3826010	1	Crankshaft		CLASSIFIED (3826009)
13	422253	1	· Woodruff key		
14	978130	6	· Plug		
15	423080	1	Crankshaft gear		
			· Bulletin 45-01	45-01-EN	Timing Gears, 71, 100, 121
16	424958	1	Hub		
17	422124	1	Washer		
18	941494	1	Screw		
19	866135	1	Pulley		
20	270124	6	Big end bearing kit		STD D
	270125	6	Big end bearing kit		0,25mmU.S
	270126	6	Big end bearing kit		0,50mm UNDER SIZE
		6	Big end bearing kit		U.S=0,75mm
	270128	6	Big end bearing kit		U.S=1,00mm
	270129	6	Big end bearing kit		U.S=1,25mm
21	270438	7	Main bearing kit		STD D
	270439	7	Main bearing kit		0,25mmU.S
	270440	7	Main bearing kit		0,50mm UNDER SIZE
	270441	7	Main bearing kit		U.S=0,75mm
	270442	7	Main bearing kit		U.S=1,00mm
	270443	7	Main bearing kit		U.S=1,25mm
22	276758	1	Thrust washer kit		STD D
	276759	1	Thrust washer kit		O.S=0,10mm
	276760	1	Thrust washer kit		O.S=0,20mm
	276761	1	Thrust washer kit		O.S=0,30mm
23	468187	1	Pulley		HC50x3 GROOVES
	847367	1	Pulley		HC50x6 GROOVES
24	955549	6	Screw, 7/16UNCx45mm		FOR 468187
	955551	12	Screw, 7/16UNCx57mm		FOR 847367
25	941909	6	Spring washer		FOR 468187
	941909	12	Spring washer		FOR 847367
26	864997	1	Flywheel		
27	420794	1	· Gear ring		
28	467773	14	Washer		
29	478717	14	Screw		