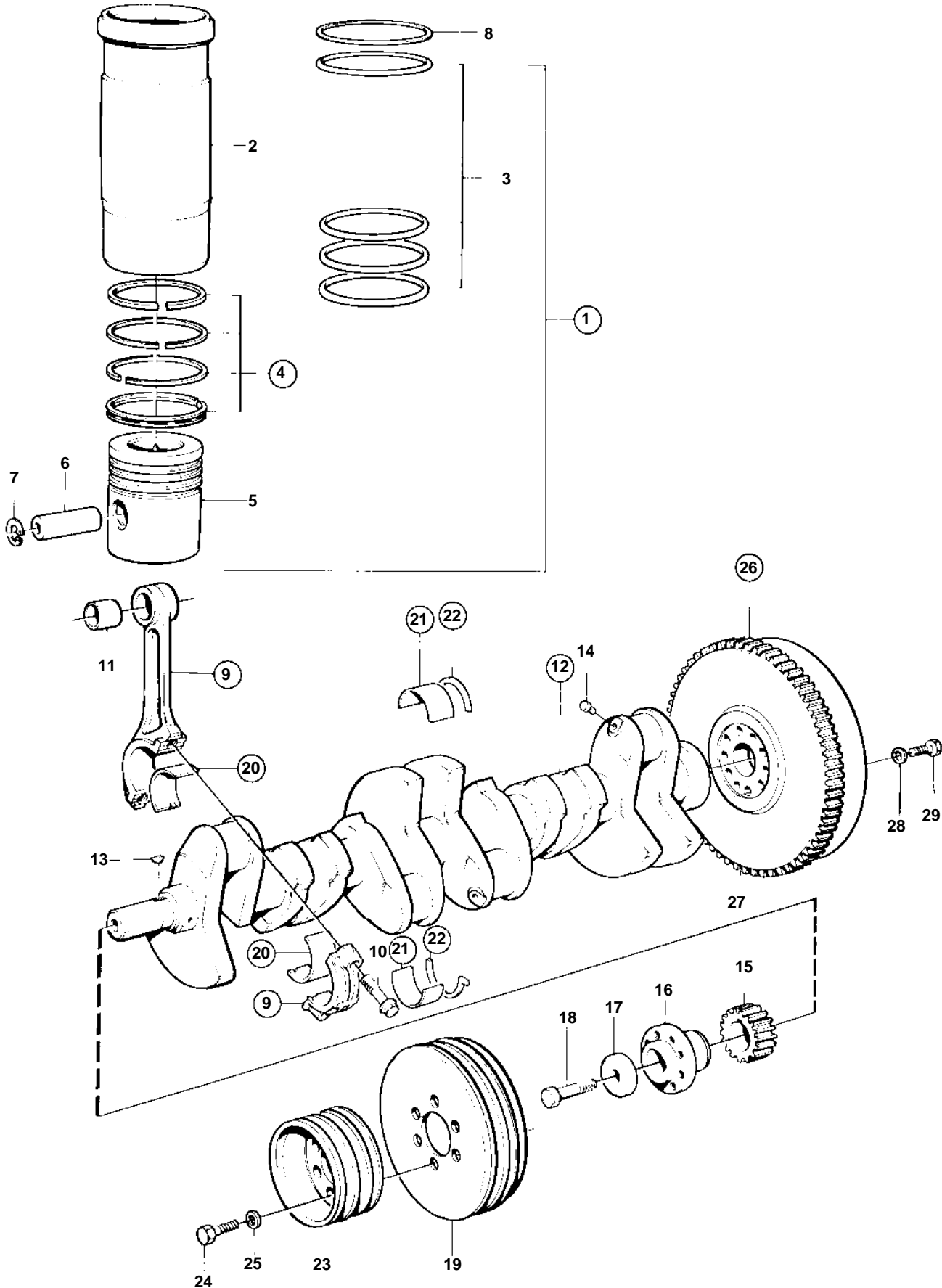


TD1030VE



## TD1030VE

REF	PART NO.	QTY	DESCRIPTION	SEE SEC.	NOTES
1	3827150	6	Cylinder liner kit		
2		6	· Cylinder liner		
3	271157	6	· Sealing ring kit		
4	3827149	6	· Piston ring kit		
5		6	· Piston		
6	479874	6	· Piston pin		
7	914529	12	· Lock ring		
8	422619	X	Shim		TH=0,20mm
	422620	X	Shim		TH = 0,30mm
	422621	X	Shim		TH = 0,50mm
9	422706	6	Connecting rod		
10	1545479	12	· Screw		
11	422708	6	· Bushing		
12	3808687	1	Crankshaft		CLASSIFIABLE (3826010)
13	422253	1	· Woodruff key		
14	978130	6	· Plug		
15	423080	1	Crankshaft gear		
			· Bulletin 45-01	45-01-EN	Timing Gears, 71, 100, 121
16	424958	1	Hub		
17	422124	1	Washer		
18	941494	1	Screw		
19	866135	1	Pulley		
20	270124	6	Big end bearing kit		STD D
	270125	6	Big end bearing kit		0,25mmU.S
	270126	6	Big end bearing kit		0,50mm UNDER SIZE
		6	Big end bearing kit		U.S=0,75mm
	270128	6	Big end bearing kit		U.S=1,00mm
	270129	6	Big end bearing kit		U.S=1,25mm
21	270438	7	Main bearing kit		STD D
	270439	7	Main bearing kit		0,25mmU.S
	270440	7	Main bearing kit		0,50mm UNDER SIZE
	270441	7	Main bearing kit		U.S=0,75mm
	270442	7	Main bearing kit		U.S=1,00mm
	270443	7	Main bearing kit		U.S=1,25mm
22	276758	1	Thrust washer kit		STD D
	276759	1	Thrust washer kit		O.S=0,10mm
	276760	1	Thrust washer kit		O.S=0,20mm
	276761	1	Thrust washer kit		O.S=0,30mm
23	468187	1	Pulley		HC50x182x3
	844591	1	Pulley		HC50x182x2. ALT
	844615	1	Pulley		HC50x182x1. ALT
24	955549	6	Screw		FOR 468187
	955552	12	Screw		FOR 844591,844615
25	941909	6	Spring washer		
26	864997	1	Flywheel, 14 hole		STD
	3825926	1	Flywheel, 14 hole		TWIN DISC 6 F-1959-1
	866776	1	Flywheel, 14 hole		CLARK 34000, C5000, C8000
	3825104	1	Flywheel, 14 hole		CLARK 36000
	3825924	1	Flywheel, 14 hole		ZF WG180, 200 HN500
27	420794	1	· Gear ring		
28	467773	14	Washer, 14 hole for flywheel		
29	478717	14	Screw, 14 hole for flywheel		
	941570	14	Screw, 14 hole for flywheel		FOR 3825104