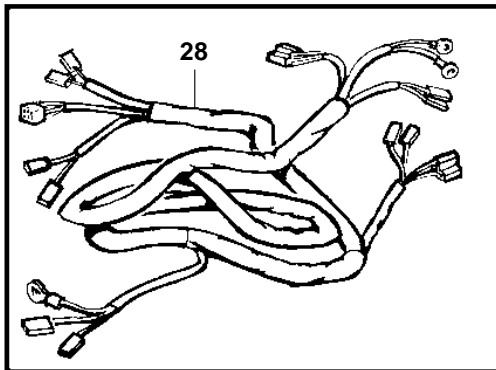
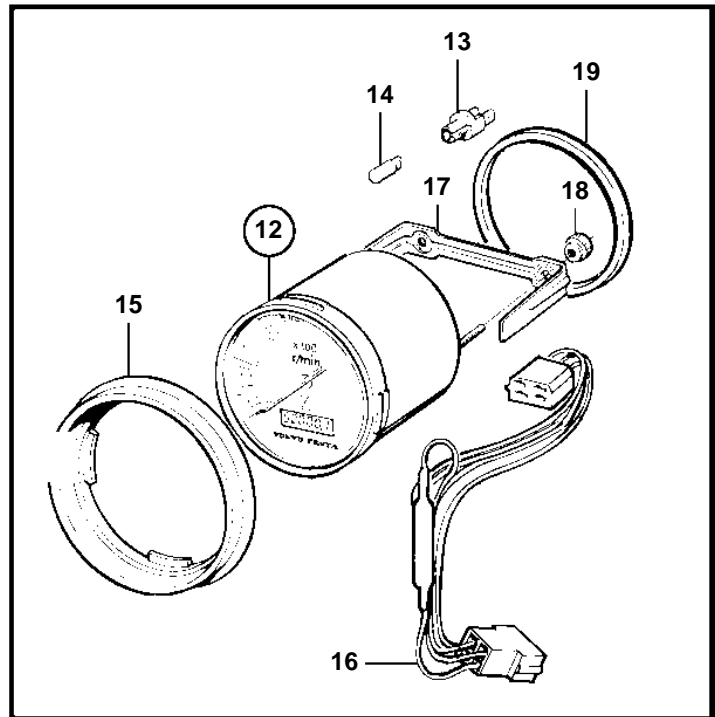
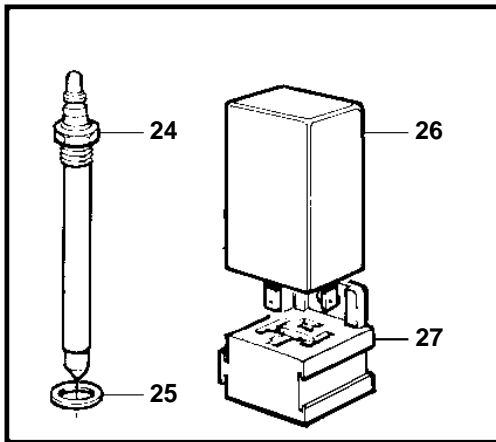
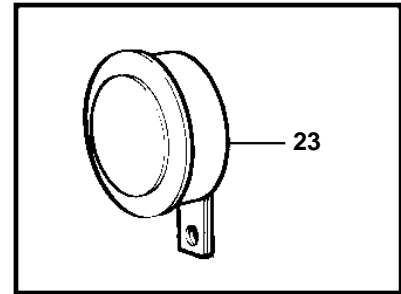
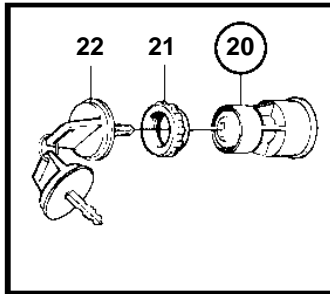
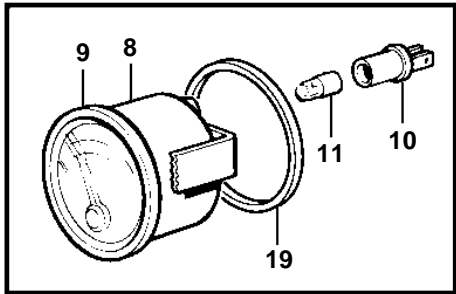
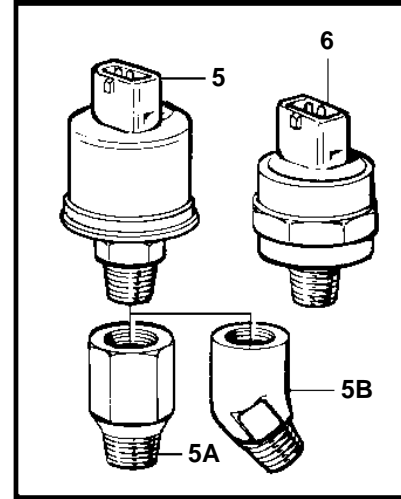
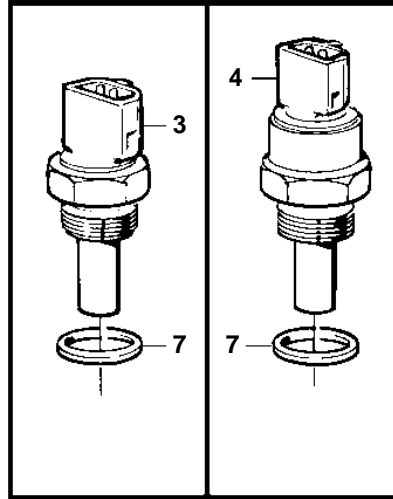
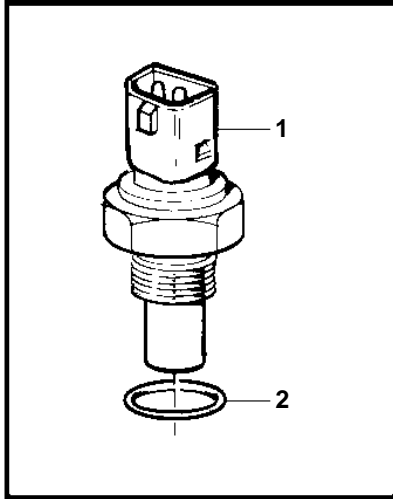


TD100G-87



21163

TD100G-87

REF	PART NO.	QTY	DESCRIPTION	SEE SEC.	NOTES
1	3013297	1	Tachometer sensor		
2	863604	1	Gasket		
3	862154	1	Temperature sensor, coolant water temp.		MAX 120°C
4	862250	1	Thermo monitor, coolant water temp.		97°C
	848829	1	Temperature sensor, coolant water temp.		103°C
5	866835	1	Pressure sensor, oil-engine		0-10bar (862155)
			• Bulletin P-38-6-1	P-38-6-1-EN	Vibration Damping Kit
5A	835980	1	Nipple		EARLY TYPE
5B	809109	1	Elbow nipple		LATE TYPE
6	863169	1	Pressure monitor, oil pressure		0,7bar
7	947624	2	Gasket		
8	873998	1	Rev counter kit, hour/tachometer		24V (854908)
	873998	1	Rev counter kit, tachometer		24V (873722)
	872479	1	Hour counter, hour meter		12V-24V
	849848	1	Thermometer, coolant water temp.		
	849849	1	Oil pressure gauge, oil pressure		
	862096	1	Voltmeter		24V
9	858644	1	Front ring		O.D=95mm, FOR 872040
	858643	1	Front ring		O.D=65mm, FOR 872479
10	808175	1	Bulb socket		FOR 854908,872040,, For bulb with base BA 7s. 849848, 849849
	863945	1	Bulb socket		FOR 872479, For bulb with base W2X4,6d.
11	182059	1	Bulb		24Vx3W BA 7S
	863946	1	Bulb		12Vx1,2W W2x4,6d
	863947	1	Bulb		24Vx1,2W W2x4,6d
12	873998	1	Rev counter kit		24V (873722)
13	863945	1	• Bulb socket		
14	863947	1	• Bulb		
15	873683	1	• Front ring		
16	873695	1	• Diode cable		
17	873208	1	• Retainer		
18		2	• • Nut		
19	873721	2	Intermediate ring		
20	3587072	1	Starter switch		(864277)
21	859955	1	• Plastic nut		
22	859953	2	• Key		State key code when ordering.
			• Bulletin 49-30	49-30-EN	Key P/N 859953
23	874050	1	Horn		24V (8143028)
24	1581232	1	Level indicator		Not for expansion tank made of plastic., L=86mm
	1581226	1	Level indicator		For expansion tank made of plastic., L=136mm
25	11994	1	Gasket		
26	1622515	1	Level relay		
27	977184	1	Tab housing		
28		1	Wiring harness		ENGINE
	863867	X	Cable trunk		L=2500mm
	863868	X	Cable trunk		L=8000mm