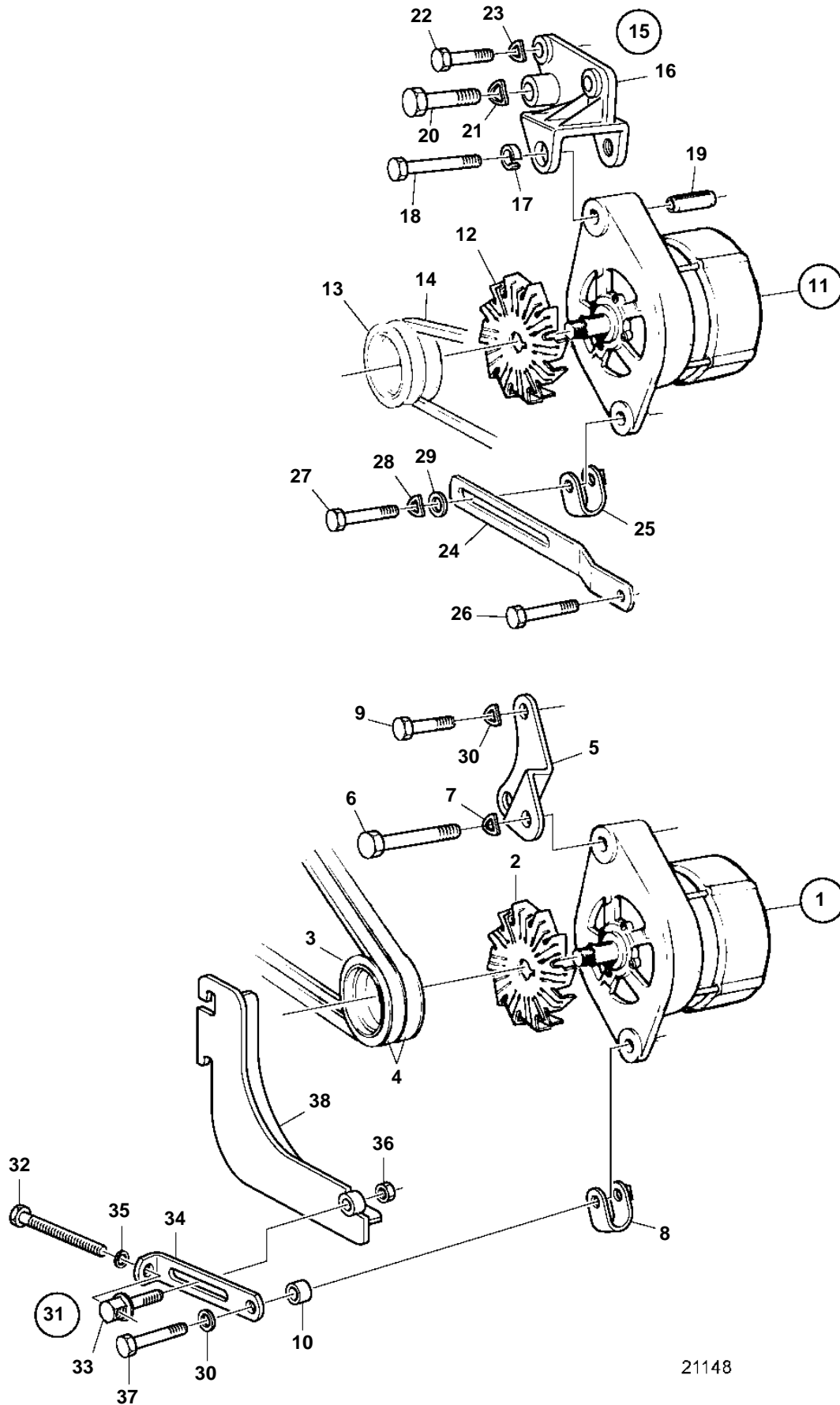


TD1030VE, TWD1031VE



21148

TD1030VE, TWD1031VE

REF	PART NO.	QTY	DESCRIPTION	SEE SEC.	NOTES
1	873757	1	Alternator · Comps. not spec.		28V 60A, REPL BY 873771
	873771	1	Alternator		28V 60A, E.U=3803443
	3803443	1	Alternator,exch, exch		28V 60A, E.U=3803443
				7856	
2		1	Fan		FOR 873771
3	822573	1	Pulley		
4	978552	1	V-belt		
5	1082911	1	Support plate		
6	971005	1	Screw		
7	941911	1	Spring washer		
8	466734	1	Tensioning eyelet		
9	940162	2	Screw		
10	821540	1	Spacer sleeve		L=22mm
11	873757	1	Alternator · Comps. not spec.		28V 60A, REPL BY 873771
	873771	1	Alternator		28V 60A, E.U=3803443
	3803443	1	Alternator,exch, exch		28V 60A, E.U=3803443
				7856	
12		1	Fan		FOR 873771
13	822573	1	Pulley		
14	978564	1	V-belt		(966926)
15	3825849	1	Bracket		CMPL
16		1	· Bracket		
17	831920	1	· Bushing		
18	955555	1	Screw		
19	1610144	1	Pin		
20	971003	1	Screw		
21	941911	1	Spring washer		
22	955538	2	Screw		
23	940097	2	Washer		
24	863726	1	Tensioner		
25	466734	1	Tensioning eyelet		
26	955542	1	Screw		
27	955299	1	Screw		
28	191172	1	Washer		
29	941907	1	Spring washer		
30	942336	3	Spring washer		
31	1676586	1	Tensioner		
32	977820	1	· Screw		
33	1675830	1	· Tensioning screw		
34		1	· Bracket		
35	191172	1	Washer		
36	971095	1	Nut		
37	955299	1	Screw		
38	3831161	1	Bracket		