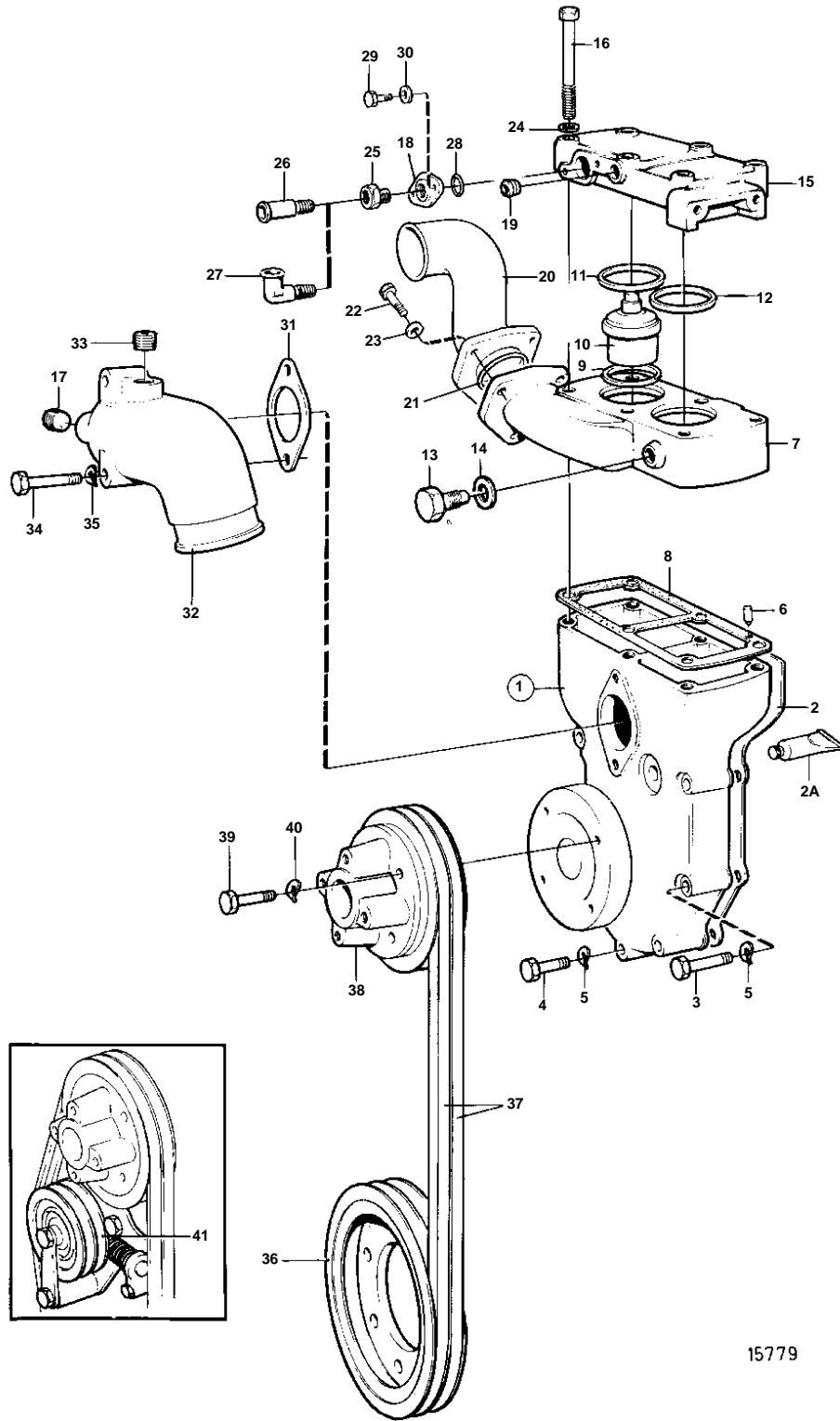


TD100G-87



15779

TD100G-87

REF	PART NO.	QTY	DESCRIPTION	SEE SEC.	NOTES
1	866583	1	Circulation pump		
	3803208	1	Circ. pump, exch, exch		
				1223	
2	423127	1	Gasket		If gasket has been used, gasket should be used again.
2A	1161231	X	Sealant		If sealing agent has been used, it should be used again.
3	955542	6	Screw		L=83mm
4	940162	2	Screw		L=38mm
5	942336	8	Spring washer		
6	951973	2	Grooved pin		
7	1545161	1	Thermostat housing		
8	1545244	1	Gasket		
9	1544710	1	Sealing ring		
10	8149186	1	Thermostat		86iC
11	1544410	1	Sealing ring		
12	925074	1	O-ring		
13	960632	2	Plug		
14	947624	2	Gasket		
15	862337	1	Thermostat housing		
16	942547	6	Screw		
17	479977	1	Plug		
18	843908	1	Flange		
19	479977	1	Plug		
20	847537	1	Tube		
21	975675	1	O-ring		
22	940135	3	Screw		
23	941907	3	Spring washer		
24	942336	6	Spring washer		
25	479954	1	Nipple		
26	192555	1	Nipple		ALT
27	942758	1	Nipple		
28	469477	1	O-ring		
29	940135	2	Screw		
30	941907	2	Spring washer		
31	423138	1	Gasket		
32	423137	1	Riser		
33	479977	1	Plug		
34	955537	1	Screw		L=51mm
	955540	1	Screw		L=70mm
35	942336	2	Spring washer		
36		1	Pulley, crankshaft		SEE GROUP 21
37	978777	1	V-belt kit		(966398)
38	843599	1	Pulley		
39	940186	4	Screw		
40	941907	4	Spring washer		
41		1	Belt tensioner	1214	