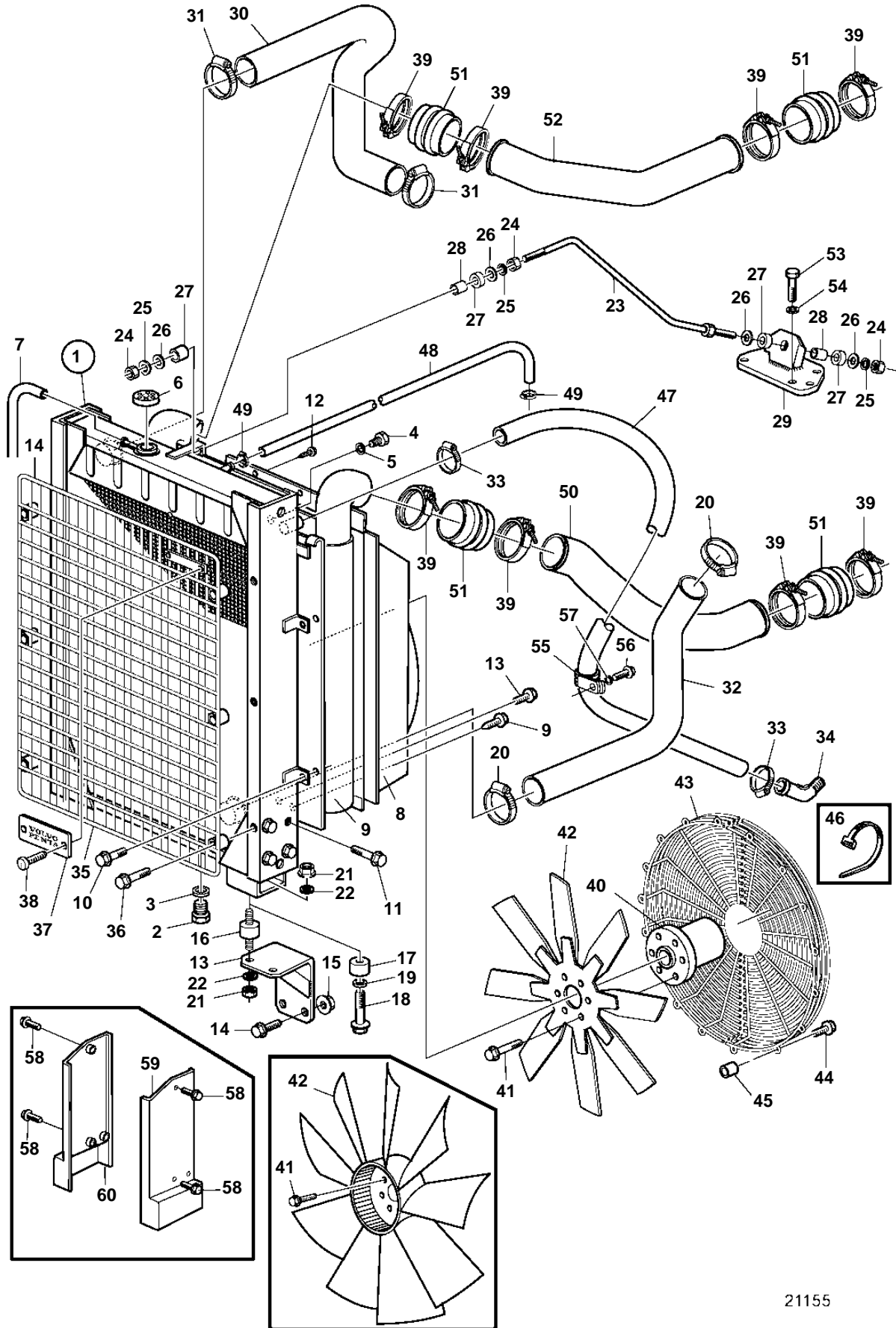


TAD1030V



21155

Upd: 2006-11-24

21155

7738460 - 26 - 3185

TAD1030V

REF	PART NO.	QTY	DESCRIPTION	NOTES
1	866092	1	Radiator	
2	960630	1	· Plug	
3	969011	1	· Gasket	
4	947660	1	· Plug	
5	11994	1	· Gasket	
6	866095	1	· Pressure cap	
7	192618	X	· Hose	L=1370mm
8	3825748	1	Fan shroud	
9	866093	1	Intercooler	
10	946173	4	Flange screw	
11	973924	8	Flange screw	
12	966862	8	Screw	
13	865785	2	Bracket	
14	946817	4	Screw	
15	971096	4	Nut	
16	849170	2	Rubber cushion	
17	866856	2	Spacer	When rubber cushions are not used for the radiator.
18	946502	4	Screw	L=20mm, When rubber cushions are not used for the radiator.
19	940280	4	Spring washer	When rubber cushions are not used for the radiator.
20	943480	2	Clamp	
21	955850	4	Nut	
22	940280	4	Spring washer	
23	865181	1	Stay	
24	955793	3	Nut	
25	941912	3	Spring washer	
26	191940	4	Washer	
27	866857	4	Rubber bushing	
28	252202	2	Bushing	
29	1660904	1	Anchorage	
30	865283	1	Hose, therm. housing	
31	943480	2	Clamp	
32	865284	1	Hose, cool. water pipe	
33	943475	2	Hose clamp	
34	942649	1	Nipple, cool. water pipe	
35	865159	1	Radiator protector	
36	947760	6	Flange screw	
37	846118	1	Emblem	
38	941651	2	Screw	
39	865575	8	Hose clamp	
40	865768	1	Fan hub	For metal fan.
	3829422	1	Fan hub	For plastic fan
41	946472	6	Screw	For metal fan.
	965187	6	Screw	For plastic fan
42	865324	1	Fan, pusher type	D=750mm, For metal fan.
	3827492	1	Fan, pusher type	D=750mm, For plastic fan
	843868	1	Fan, suction type	For metal fan., D=750mm
	3827491	1	Fan, suction type	For plastic fan, D=750mm
43	3825616	2	Fan protector	
44	945444	12	Flange screw	
	966807	12	Screw	For plastic fan
45	946048	12	Spacer washer	For metal fan.
46	948211	X	Strip clamp	
47	944386	X	Hose	L=1000mm
48	943367	X	Hose, air venting	L=950mm
49	943470	2	Hose clamp	
50	865183	1	Pipe, turbo	
51	865127	4	Hose	
52	889582	1	Charge air pipe, induction manifold	
53	955523	4	Screw	
54	941907	4	Spring washer	
55	952637	1	Clamp	
56	972603	1	Screw	
57	960138	1	Washer	

7738460 - 26 - 3185

21155

Upd: 2006-11-24

TAD1030V, TD100G-87, TD1030VE, TWD1031VE

