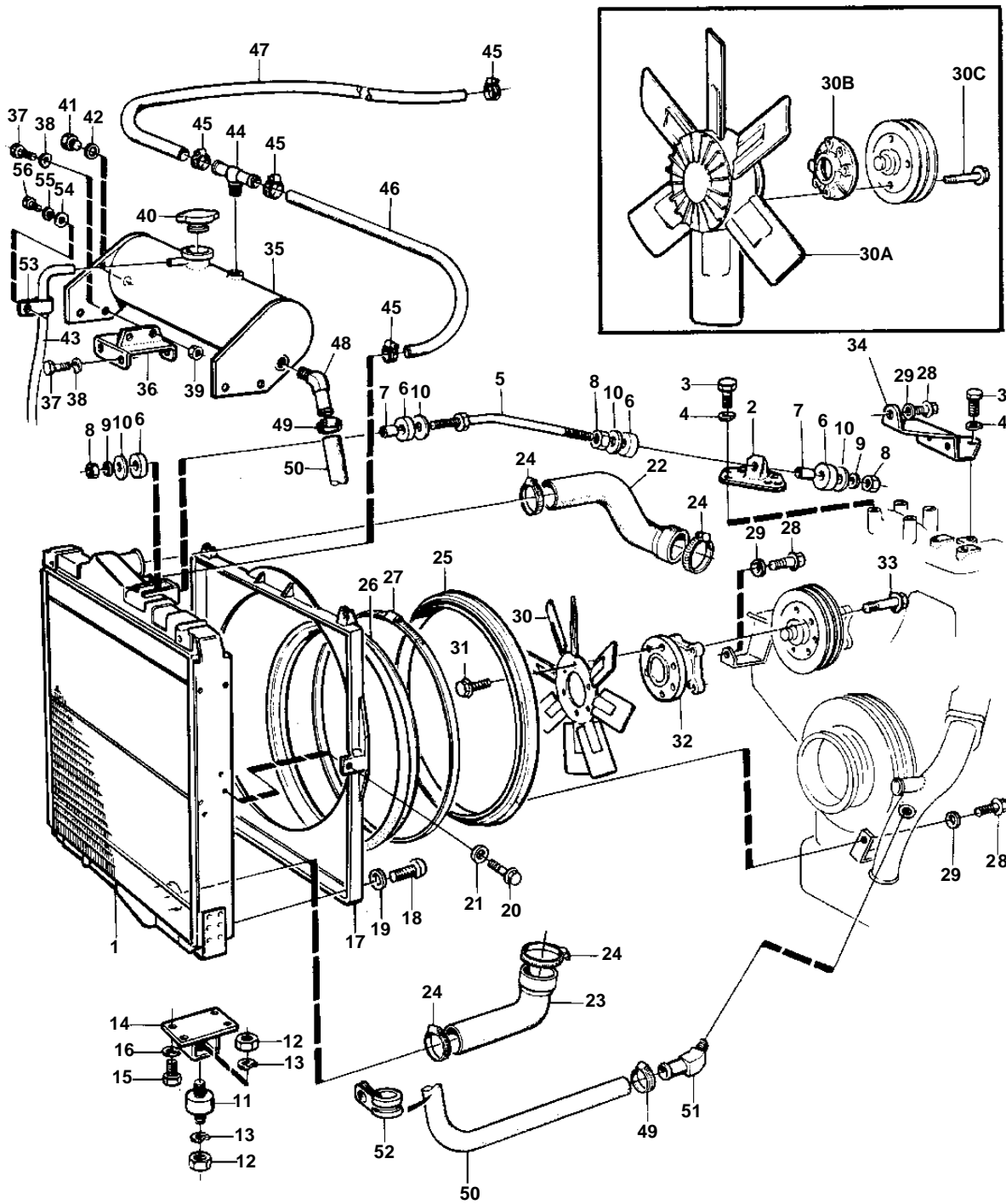


TD1030VE, TWD1031VE



TD1030VE, TWD1031VE

| REF | PART NO. | QTY | DESCRIPTION | NOTES |
|-----|----------|-----|----------------------------|---|
| 1 | 1664500 | 1 | Radiator | 0,65sqm |
| 2 | 1660904 | 1 | Anchorage | |
| 3 | 955523 | 4 | Screw, 5/16uncx16mm | |
| | 942402 | 3 | Flange screw, 5/16uncx16mm | |
| 4 | 941907 | 4 | Spring washer | |
| 5 | 1544860 | 1 | Radiator stay | |
| 6 | 866857 | 4 | Rubber bushing | |
| 7 | 252202 | 2 | Bushing | |
| 8 | 955793 | 3 | Nut | |
| 9 | 941912 | 2 | Spring washer | |
| 10 | 191940 | 4 | Washer | |
| 11 | 849170 | 2 | Rubber cushion | |
| 12 | 955850 | 4 | Nut | |
| 13 | 940280 | 4 | Spring washer | |
| 14 | 847352 | 2 | Bracket | |
| 15 | 955295 | 8 | Screw | |
| 16 | 941907 | 8 | Spring washer | |
| 17 | 475820 | 1 | Fan shroud | |
| 18 | 946173 | 4 | Flange screw | (969599) |
| 19 | 976944 | 4 | Washer | |
| 20 | 946544 | 2 | Flange screw | |
| 21 | 976943 | 2 | Washer | |
| 22 | 1544849 | 1 | Hose | |
| 23 | 1082205 | 1 | Hose | |
| 24 | 943480 | 4 | Clamp | |
| 25 | 1544942 | 1 | Fan ring | |
| 26 | 476612 | 1 | Sealing strip | |
| 27 | 1544650 | 1 | Tensioning band | |
| 28 | 946173 | 4 | Flange screw | |
| 29 | 976944 | 4 | Washer | |
| 30 | 1674069 | 1 | Fan, suction type | 1,5sq.mm, BLACK, D=680mm |
| | 3825017 | 1 | Fan, pusher type | 1,5sq.mm, RED, D=680mm |
| 30A | 1660061 | 1 | Fan, temp. controlled | 1,5sq.mm, RED |
| 30B | 1661040 | 1 | Spacer | 2,5sq.mm, BLACK |
| 30C | 948217 | 4 | Flange screw | 2,5sq.mm, RED |
| 31 | 946671 | 6 | Flange screw | 4,0sq.mm, BLACK |
| 32 | 1664828 | 1 | Hub | TD1030VE, 6,0sq.mm, BLACK |
| | 1675852 | 1 | Fan hub | 6,0sq.mm, RED, TWD1031VE |
| 33 | 947760 | 4 | Flange screw | 16,0sq.mm, RED |
| 34 | 1544859 | 1 | Bracket | 25,0sq.mm, RED |
| 35 | 3828638 | 1 | Expansion tank | 6,3x0,8x1,1-2,5sq.mm, 12L (848525) |
| 36 | 846884 | 1 | Bracket | 6,3x0,8x4,0-6,0sq.mm, L |
| | 846885 | 1 | Bracket | 6,3x4 NATURAL, RIGHT |
| 37 | 955294 | 8 | Screw | 6,3x4 NATURAL |
| 38 | 941907 | 8 | Spring washer | 6,3x0,8x0,5-1,0mm2 |
| 39 | 955782 | 4 | Nut | 6,3x0,8x0,75-2,5sq.mm |
| 40 | 866095 | 1 | Pressure cap | 6,3x0,8x4,0-6,0sq.mm |
| 41 | 947660 | 1 | Plug | 6,3x11 NATURAL |
| | | 1 | Level indicator | 6,3x11 NATURAL, SE GROUP 30 |
| 42 | 11994 | 1 | Gasket | 6,3x2 BLACK |
| 43 | 192618 | X | Hose | 2,1x0,5-1mm2, L=1400mm |
| 44 | 948092 | 1 | Nipple | 2-POLE |
| 45 | 943470 | 4 | Hose clamp | 2-POLE |
| 46 | 943366 | X | Hose, radiator | 2,1x0,5-1mm2, L=450mm (13776), Not marketed by Volvo Penta. |
| 47 | 943366 | X | Hose, intercooler | 3,5x1,1-2,5sq.mm, L=450mm (13776) |
| 48 | 942240 | 1 | Elbow nipple | 3,5x2,5-4,0sq.mm |
| 49 | 943471 | 2 | Hose clamp | 3,5x1 NATURAL |
| 50 | 952969 | X | Rubber hose | L=850mm, 3,5x1 NATURAL |
| 51 | 942240 | 1 | Elbow nipple | 25°, 3,5x0,5-1mm2 |
| | 942649 | 1 | Nipple | 3,5x1,1-2,5sq.mm, 45° |
| 52 | 949379 | 1 | Clamp | |
| 53 | 18387 | 1 | Clamp | |
| 54 | 976943 | 1 | Washer | |

7738460 - 26 - 196

15061

Upd: 2006-11-24

TAD1030V, TD100G-87, TD1030VE, TWD1031VE

VOLVO
PENTA

TD1030VE, TWD1031VE

| REF | PART NO. | QTY | DESCRIPTION | NOTES |
|-----|----------|-----|---------------|-------|
| 55 | 949607 | 1 | Spring washer | |
| 56 | 955269 | 1 | Screw | |
| | | | | |