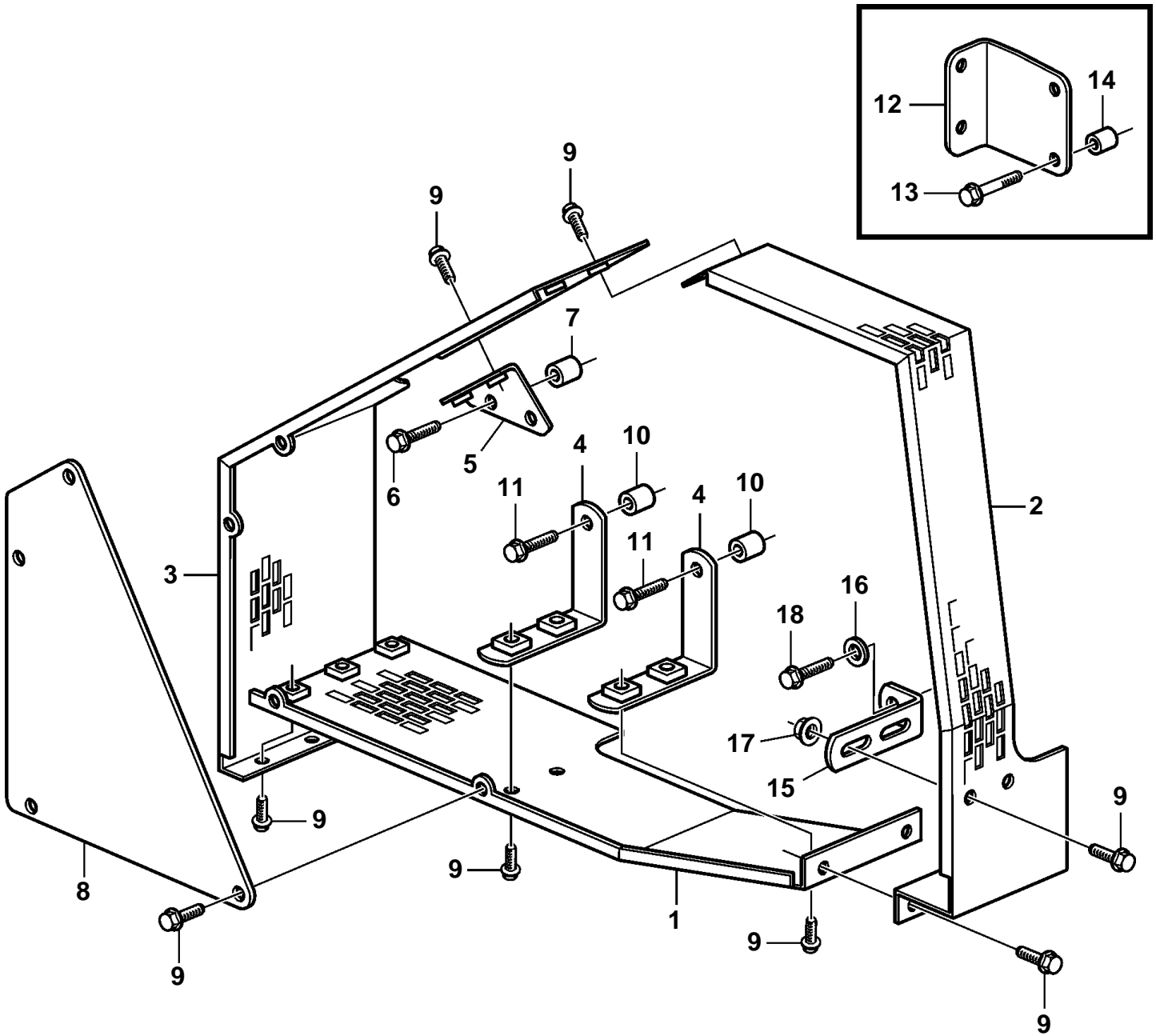


TD100G-87



21152

**TD100G-87**

REF	PART NO.	QTY	DESCRIPTION	NOTES
1	3826616	1	Belt protector	
2	3826617	1	Belt protector	
3	3826258	1	Belt protector	
4	3825677	2	Bracket	
5	3825673	1	Bracket	
6	955538	2	Screw	
7	827861	2	Spacer sleeve	
8	3825676	1	Protecting plate	
9	967949	19	Screw	(965175)
10	829653	2	Spacer sleeve	
11	942529	2	Screw	3/8UNC L=108mm
12	3825674	1	Bracket	
13	955538	2	Screw	
14	824205	2	Spacer sleeve	
15	965562	1	Bracket	
16	942336	6	Spring washer	
17	945407	2	Flange nut	
18	955543	1	Screw	3/8UNC L=95mm