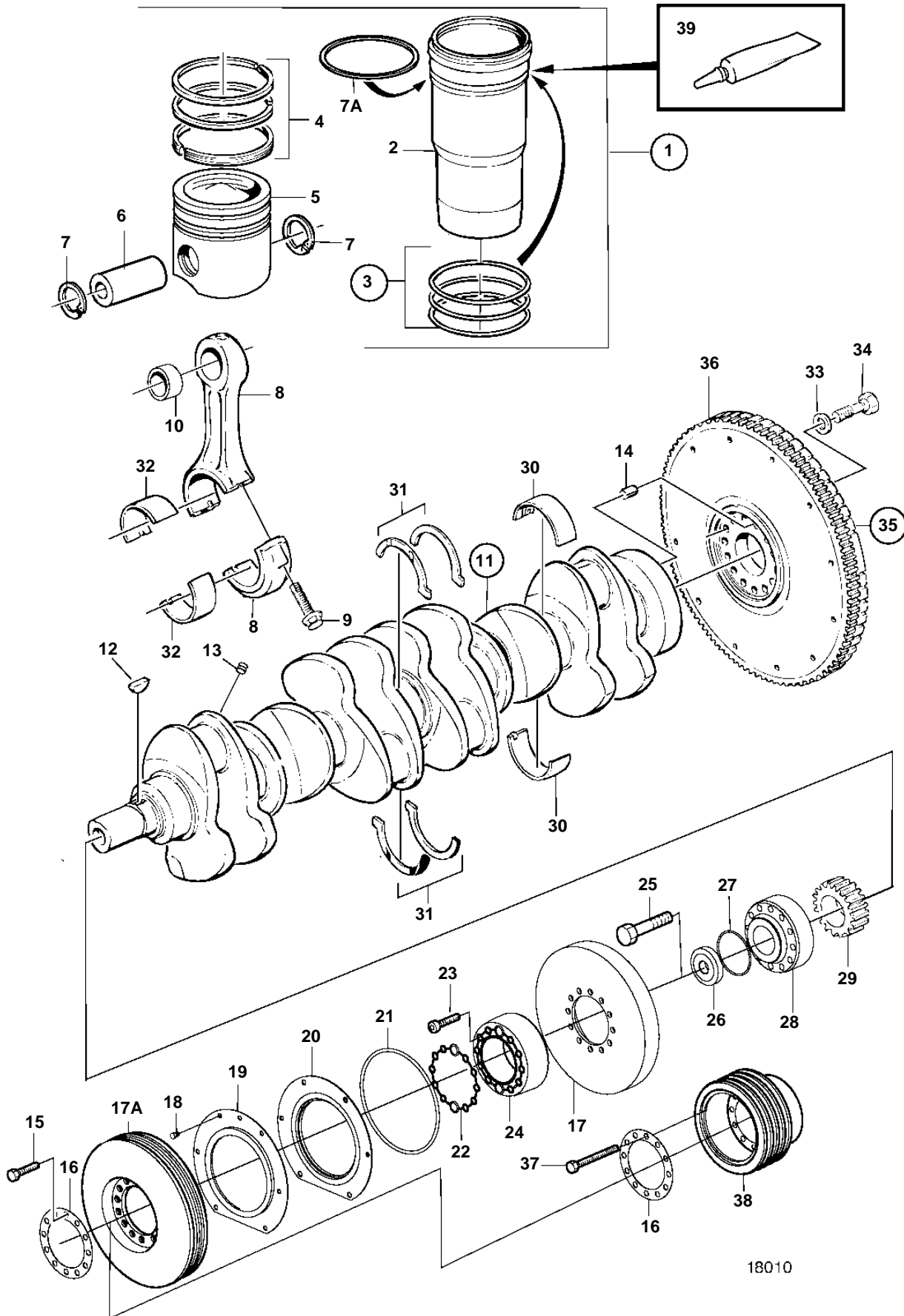


TAD1240GE



TAD1240GE

REF	PART NO.	QTY	DESCRIPTION	SEE SEC.	NOTES
1	3586771	6	Cylinder liner kit		
2		6	· Cylinder liner		
3	270950	6	· Sealing ring kit		
4	877572	6	· Piston ring kit		
5		6	· Piston		
6	3155115	6	· Piston pin		
7	914530	12	· Lock ring		
7A	1677591	6	Shim		TH=0,20mm
7	1677592	6	Shim		TH = 0,30mm
	1677593	6	Shim		TH = 0,50mm
8	3835339	6	Connecting rod		(3184823)
9	1543035	12	· Screw		
10	20381185	6	· Bushing		
11	3832928	1	Crankshaft		(1547468)
12	422253	1	· Woodruff key		
13	978130	6	· Plug		
14	950645	1	· Pin		
15	963254	10	Screw		
16	8193962	1	Washer		
17	8193930	1	Vibration damper		
17A	1549570	1	Vibration damper		
18	946440	6	Flange screw		
19	3827504	1	Dust cover		
20	3832863	1	Sealing ring		
21	3832906	1	O-ring		
22	3827530	1	Sealing ring		
23	974111	2	Allen head screw		
24	3826656	1	Companion flange		
25	1543316	1	Screw		
26	422124	1	Washer		
27	945512	1	O-ring		
28	1549407	1	Hub		
29	8170192	1	Gear		
30	276615	7	Main bearing kit		STD
			· Bulletin 46-19	46-19-EN	New Main Bearing Kits for 12L Engines
30		7	· Bearing shell, upper		MARKED 1547741
		7	· Bearing shell, lower		MARKED 1547739
	276616	7	Main bearing kit		U.S=0.25mm
			· Bulletin 46-19	46-19-EN	New Main Bearing Kits for 12L Engines
30		7	· Bearing shell, upper		MARKED 1677244
		7	· Bearing shell, lower		MARKED 1677264
	276617	7	Main bearing kit		U.S=0.50mm
			· Bulletin 46-19	46-19-EN	New Main Bearing Kits for 12L Engines
30		7	· Bearing shell, upper		MARKED 1677245
		7	· Bearing shell, lower		MARKED 1677265
	276618	7	Main bearing kit		U.S=0.75mm
			· Bulletin 46-19	46-19-EN	New Main Bearing Kits for 12L Engines
30		7	· Bearing shell, upper		MARKED 1677246
		7	· Bearing shell, lower		MARKED 1677266
	276619	7	Main bearing kit		U.S=1.00mm
			· Bulletin 46-19	46-19-EN	New Main Bearing Kits for 12L Engines
30		7	· Bearing shell, upper		MARKED 1677247
		7	· Bearing shell, lower		MARKED 1677267
		7	Main bearing kit		U.S=1.25mm
			· Bulletin 46-19	46-19-EN	New Main Bearing Kits for 12L Engines
30		7	· Bearing shell, upper		MARKED 1677248
		7	· Bearing shell, lower		MARKED 1677268
31	3093651	1	Thrust washer kit		STD
	3093652	1	Thrust washer kit		O.S=00,1mm
	3093653	1	Thrust washer kit		O.S=0,2mm
32	276134	6	Big end bearing kit		STD
	276135	6	Big end bearing kit		U.S=0.25mm
	276136	6	Big end bearing kit		U.S=0.50mm

TAD1240GE

REF	PART NO.	QTY	DESCRIPTION	SEE SEC.	NOTES
32	276137	6	Big end bearing kit		U.S=0.75mm
	276334	6	Big end bearing kit		U.S=1.00mm
	276349	6	Big end bearing kit		U.S=1.25mm
33	1543563	14	Washer		
34	1677893	14	Screw		
35	866380	1	Flywheel		
36	8193939	1	• Gear ring		
37	970893	10	Hexagon screw		
38	3826640	1	Pulley		
39	1161231	X	Sealant		304ml
	1161277	X	Sealant		20g