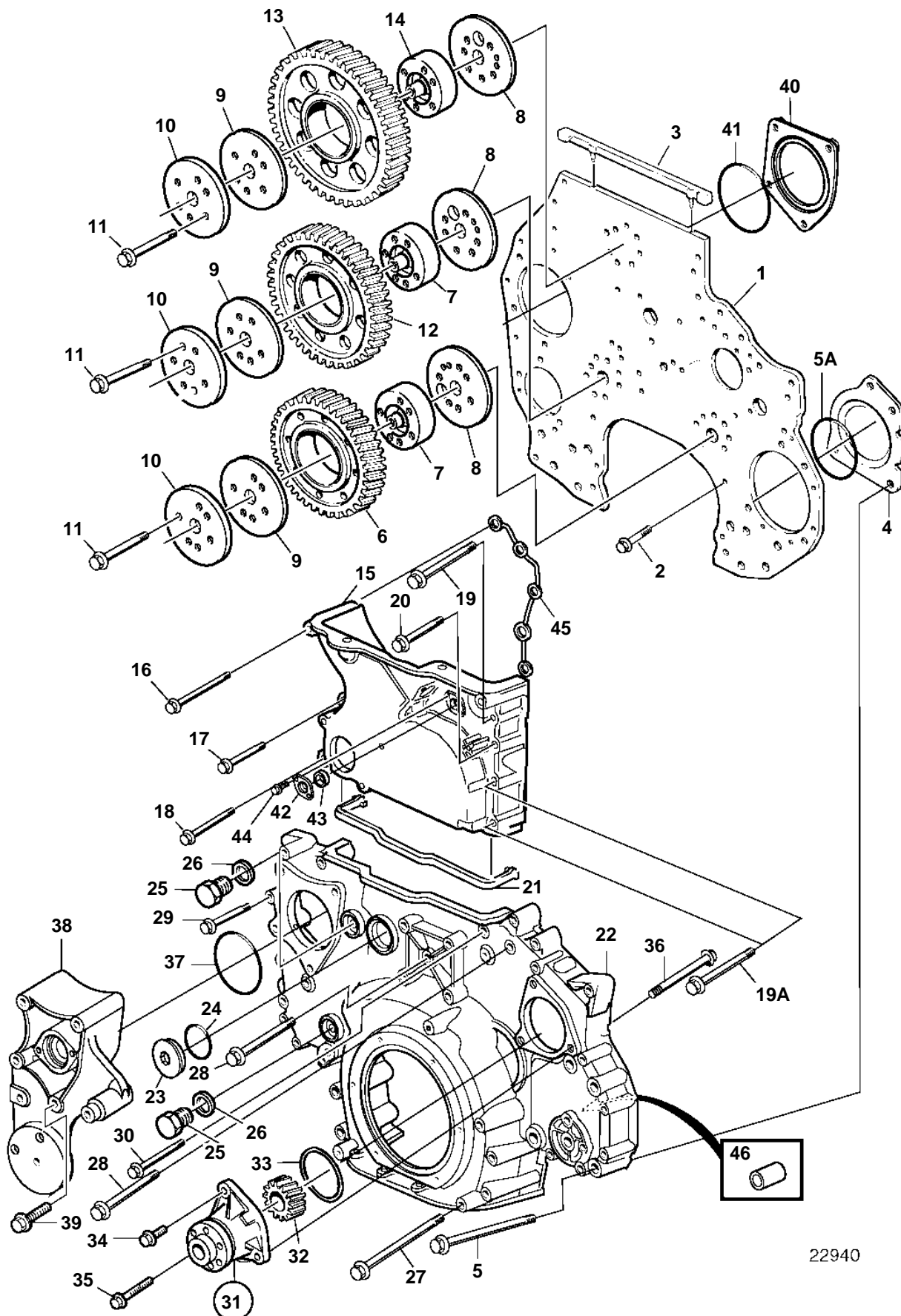


TAD1240GE, TAD1241GE, TAD1242GE



22940

TAD1240GE, TAD1241GE, TAD1242GE

REF	PART NO.	QTY	DESCRIPTION	SEE SEC.	NOTES
1	8170561	1	Plate		
2	946470	17	Flange screw		L=35mm
3	20489341	1	Sealing strip		(8170473)
4	3828662	1	Cover		(8170237)
5	965197	4	Flange screw		For cover 8170237., L=100mm
5A	949736	1	O-ring		
6	8170193	1	Idler gear		
7	8170219	2	Hub		
8	8170220	3	Thrust washer		
9	3184865	3	Thrust washer		
10	3184868	3	Bearing shield		
11	1547886	18	Screw		
12	8170195	1	Idler gear		
13	8170197	1	Idler gear		
14	8170199	1	Hub		
15	20512768	1	Timing gear casing		
16	968553	1	Screw		L=115mm
17	965182	3	Flange screw		L=80mm
18	965183	1	Flange screw		L=90mm
19	965190	1	Screw		L=100mm
19A	947790	2	Flange screw		L=80mm
20	965223	1	Flange screw		L=75mm
21	20714247	1	Sealing strip		(20526706)
22	3835799	1	Timing gear cover		
23	467367	1	• Plug		
24	469328	1	• Gasket		
25	960632	2	• Plug		
26	948884	2	• Washer		
27	973096	4	Flange screw		L=130mm
28	947790	2	Flange screw		L=80mm
29	965217	11	Flange screw		L=65mm
	965181	1	Screw		L=70mm, Used when extra water pump is low mounted.
30	965183	1	Flange screw		L=90mm
31	8193986	1	Drive outlet		
				4338	
32		1	• Gear		
33	967344	1	O-ring		
34	946752	1	Flange screw		
35	965190	1	Screw		
36	3184837	1	Flange screw		For driving device. Mounted from the opposite side through the fuel pump.
37	948981	1	O-ring		
38	3826898	1	Bracket	4633	
39	973967	4	Flange screw		
40	1556208	1	Cover		
41	948888	1	O-ring		
42	3964803	1	Plug		
43	20555696	1	Sealing ring		(421629)
44	946440	2	Flange screw		
45	3830184	1	Seal		
46	1547940	1	Guide sleeve		