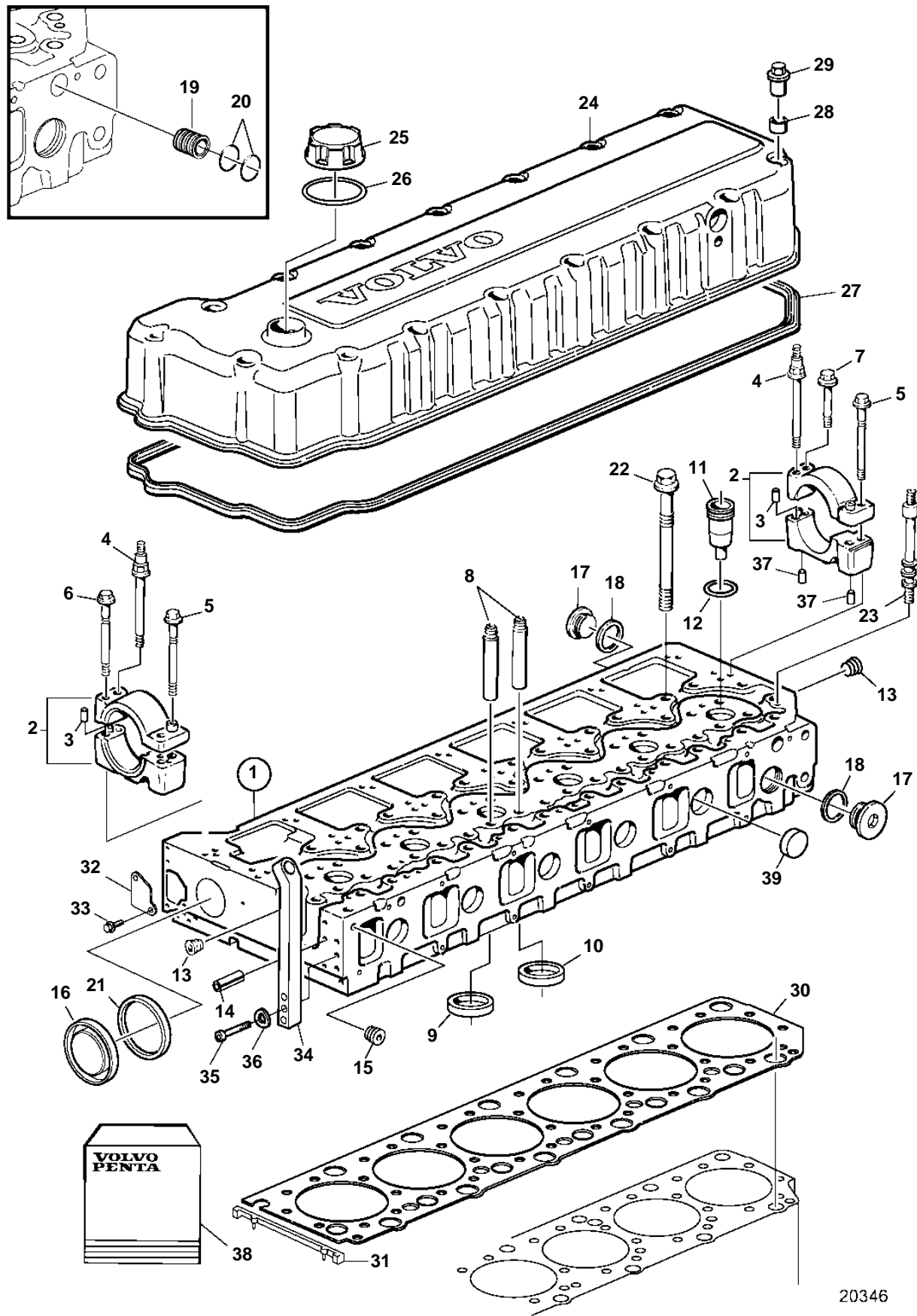


TAD1240GE, TAD1241GE, TAD1242GE



20346

TAD1240GE, TAD1241GE, TAD1242GE

REF	PART NO.	QTY	DESCRIPTION	NOTES
1	3830742	1	Cylinder head	REPL BY 20487480
	20487480	1	Cylinder head	E.U=3803631
2	3165130	1	· Bearing housing, front	Included in overhaul kit 3165309.
	3165133	5	· Bearing housing, middle	Included in overhaul kit 3165309.
	3165136	1	· Bearing housing, rear	Included in overhaul kit 3165309.
3	950542	14	· · Pin	
4	8170626	7	· Stud	
5	1547889	14	· Screw	L=127mm
6	1547888	1	· Screw	L=106mm
7	1677283	6	· Screw	L=70mm
8	1546437	24	· Valve guide	SN-303403
	3165303	24	· Valve guide	SN303404-
9	3183227	12	· Valve seat, intake	STD SN-303403
	3183228	12	· Valve seat	O.S=0,20mm
	20459329	12	· Valve seat, intake	STD SN303404-
	20459332	12	· Valve seat	O.S=0,20mm
10	3165369	12	· Valve seat, exhaust	STD SN-303403
	3165397	12	· Valve seat	O.S=0,20mm
	3169366	12	· Valve seat, exhaust	STD SN303404-
	20411979	12	· Valve seat	O.S=0,20mm
11	3183368	6	· Sleeve	
12	3165747	6	· O-ring	
13	968062	2	· Plug	
14	422426	1	· Pin	
15	968060	1	· Plug	
16	8170553	1	· Plug	
17	3165025	12	· Plug	
18	949659	12	· · O-ring	
19	20463179	1	· Adapter	
20	949721	2	· · O-ring	
21	1544710	1	Sealing ring	
22	1547419	38	Screw	
23	8148863	9	Stud	
24	20545669	1	Valve cover	Without oil filler cap
	8170115	1	Valve cover	With oil filler cap
25	1675839	1	· Oil filler cap	
26	1675841	1	· · Gasket	
27	8170116	1	Sealing strip	
28	3964604	16	Bushing	
29	8148488	16	Cap nut	
30	3099100	1	Gasket kit, cylinder head	
31	20489341	1	Sealing strip	
32	3828003	1	Cover	
33	946440	2	Flange screw	
34		1	Lifting eye	
35	959265	3	Allen head screw	
36	940280	3	Spring washer	
37	950562	14	Pin	Included in overhaul kit 3165309.
38	3830718	1	De-carbonizing kit	SEE GROUP 99
	3165309	1	Overhaul kit	SEE GROUP 99
39	8131707	11	Cap plug	