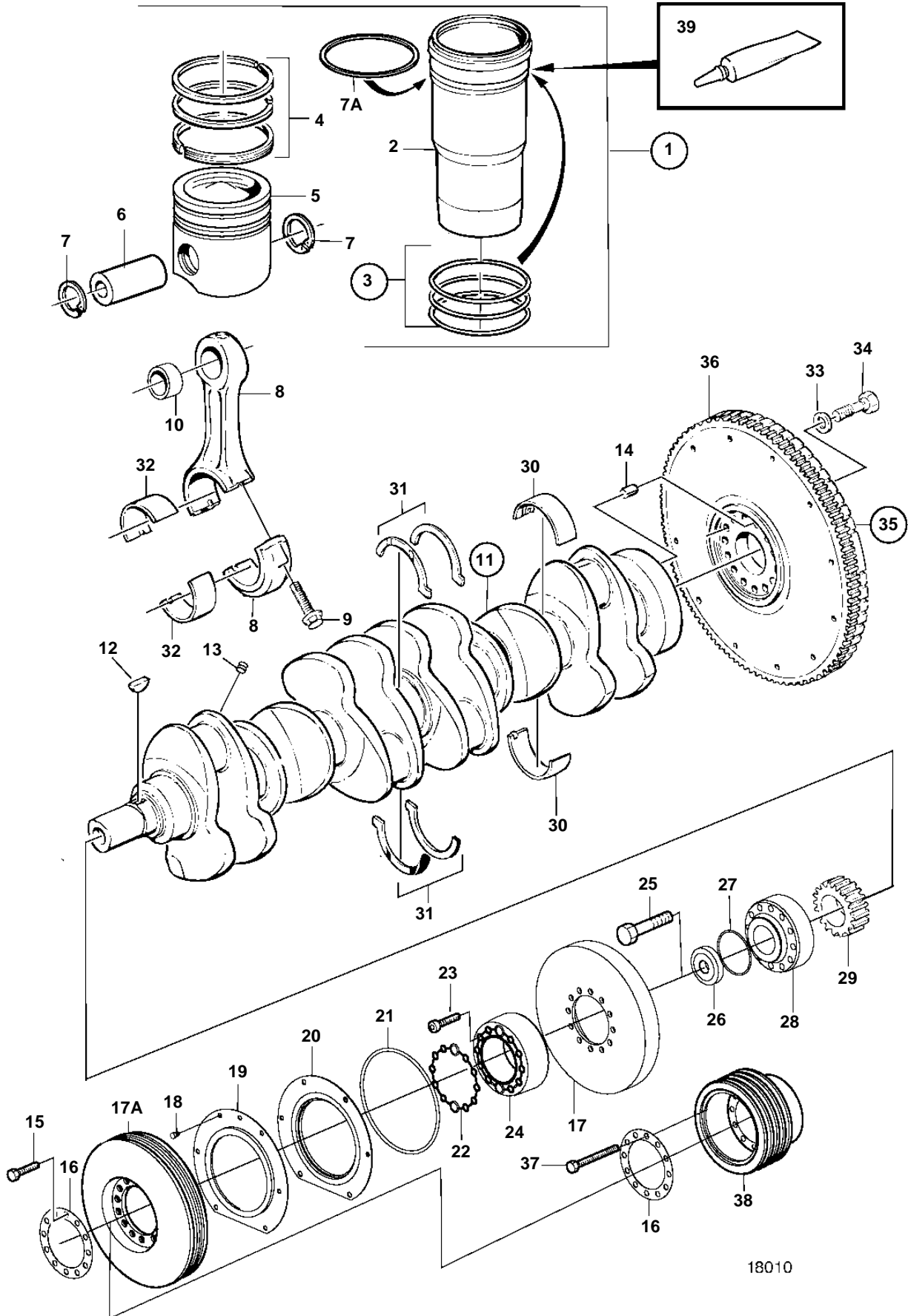


TAD1240GE



TAD1240GE

| REF | PART NO. | QTY | DESCRIPTION | SEE SEC. | NOTES |
|-----|----------|-----|------------------------|----------|---------------------------------------|
| 1 | 3586771 | 6 | Cylinder liner kit | | |
| 2 | | 6 | · Cylinder liner | | |
| 3 | 270950 | 6 | · Sealing ring kit | | |
| 4 | 877572 | 6 | · Piston ring kit | | |
| 5 | | 6 | · Piston | | |
| 6 | 3155115 | 6 | · Piston pin | | |
| 7 | 914530 | 12 | · Lock ring | | |
| 7A | 1677591 | 6 | Shim | | TH=0,20mm |
| 7 | 1677592 | 6 | Shim | | TH = 0,30mm |
| | 1677593 | 6 | Shim | | TH = 0,50mm |
| 8 | 3835339 | 6 | Connecting rod | | (3184823) |
| 9 | 1543035 | 12 | · Screw | | |
| 10 | 20381185 | 6 | · Bushing | | |
| 11 | 3832928 | 1 | Crankshaft | | (1547468) |
| 12 | 422253 | 1 | · Woodruff key | | |
| 13 | 978130 | 6 | · Plug | | |
| 14 | 950645 | 1 | · Pin | | |
| 15 | 963254 | 10 | Screw | | |
| 16 | 8193962 | 1 | Washer | | |
| 17 | 8193930 | 1 | Vibration damper | | |
| 17A | 1549570 | 1 | Vibration damper | | |
| 18 | 946440 | 6 | Flange screw | | |
| 19 | 3827504 | 1 | Dust cover | | |
| 20 | 3832863 | 1 | Sealing ring | | |
| 21 | 3832906 | 1 | O-ring | | |
| 22 | 3827530 | 1 | Sealing ring | | |
| 23 | 974111 | 2 | Allen head screw | | |
| 24 | 3826656 | 1 | Companion flange | | |
| 25 | 1543316 | 1 | Screw | | |
| 26 | 422124 | 1 | Washer | | |
| 27 | 945512 | 1 | O-ring | | |
| 28 | 1549407 | 1 | Hub | | |
| 29 | 8170192 | 1 | Gear | | |
| 30 | 276615 | 7 | Main bearing kit | | STD |
| | | | · Bulletin 46-19 | 46-19-EN | New Main Bearing Kits for 12L Engines |
| 30 | | 7 | · Bearing shell, upper | | MARKED 1547741 |
| | | 7 | · Bearing shell, lower | | MARKED 1547739 |
| | 276616 | 7 | Main bearing kit | | U.S=0.25mm |
| | | | · Bulletin 46-19 | 46-19-EN | New Main Bearing Kits for 12L Engines |
| 30 | | 7 | · Bearing shell, upper | | MARKED 1677244 |
| | | 7 | · Bearing shell, lower | | MARKED 1677264 |
| | 276617 | 7 | Main bearing kit | | U.S=0.50mm |
| | | | · Bulletin 46-19 | 46-19-EN | New Main Bearing Kits for 12L Engines |
| 30 | | 7 | · Bearing shell, upper | | MARKED 1677245 |
| | | 7 | · Bearing shell, lower | | MARKED 1677265 |
| | 276618 | 7 | Main bearing kit | | U.S=0.75mm |
| | | | · Bulletin 46-19 | 46-19-EN | New Main Bearing Kits for 12L Engines |
| 30 | | 7 | · Bearing shell, upper | | MARKED 1677246 |
| | | 7 | · Bearing shell, lower | | MARKED 1677266 |
| | 276619 | 7 | Main bearing kit | | U.S=1.00mm |
| | | | · Bulletin 46-19 | 46-19-EN | New Main Bearing Kits for 12L Engines |
| 30 | | 7 | · Bearing shell, upper | | MARKED 1677247 |
| | | 7 | · Bearing shell, lower | | MARKED 1677267 |
| | | 7 | Main bearing kit | | U.S=1.25mm |
| | | | · Bulletin 46-19 | 46-19-EN | New Main Bearing Kits for 12L Engines |
| 30 | | 7 | · Bearing shell, upper | | MARKED 1677248 |
| | | 7 | · Bearing shell, lower | | MARKED 1677268 |
| 31 | 3093651 | 1 | Thrust washer kit | | STD |
| | 3093652 | 1 | Thrust washer kit | | O.S=00,1mm |
| | 3093653 | 1 | Thrust washer kit | | O.S=0,2mm |
| 32 | 276134 | 6 | Big end bearing kit | | STD |
| | 276135 | 6 | Big end bearing kit | | U.S=0.25mm |
| | 276136 | 6 | Big end bearing kit | | U.S=0.50mm |

