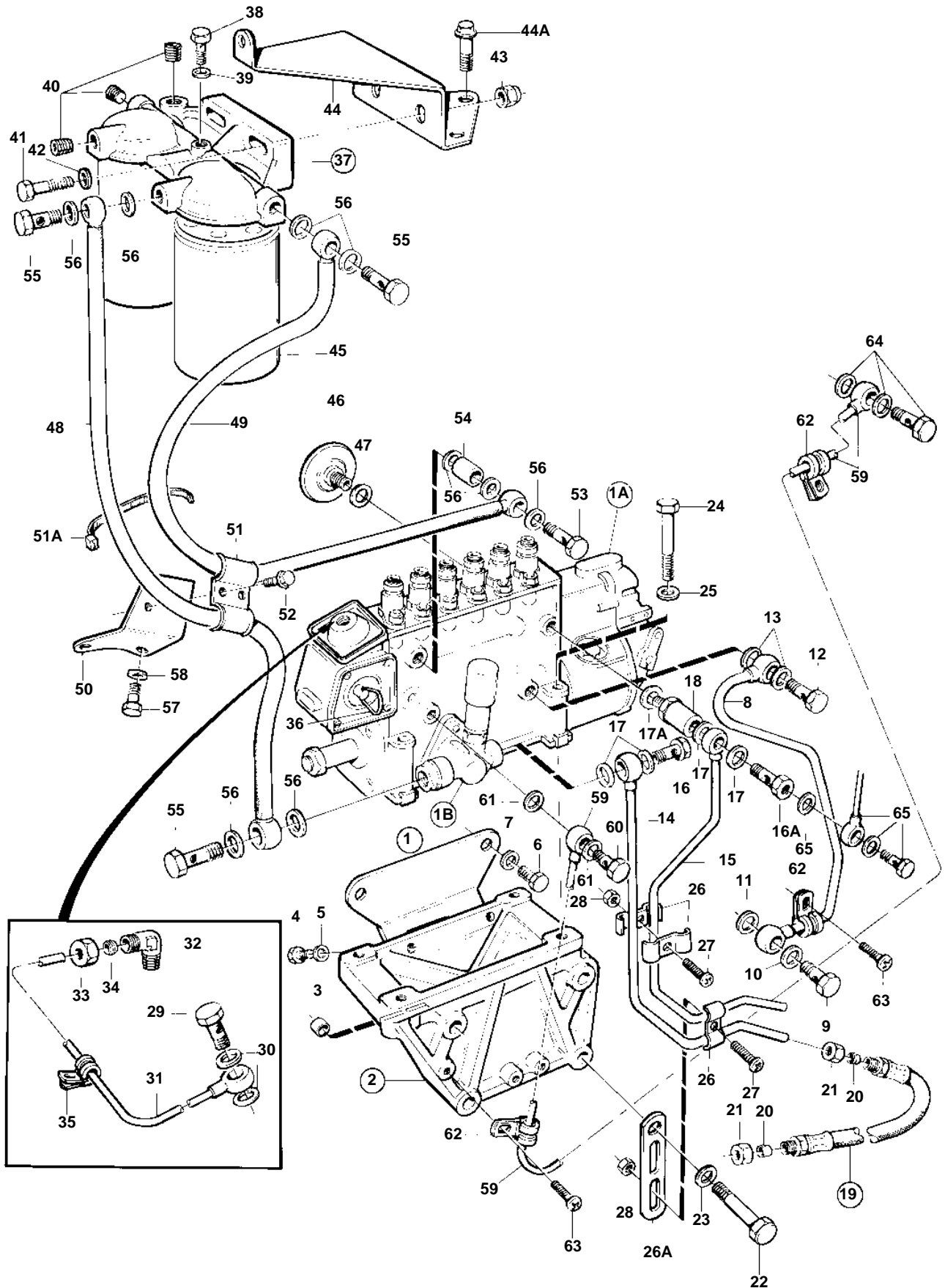


TAD1030P



TAD1030P

REF	PART NO.	QTY	DESCRIPTION	SEE SEC.	NOTES
1	866141	1	Injection pump		
	3803721	1	Injection pump, exch		Exchange unit
			Comps. not spec.		
1A	3825564	1	• Governor		
			• Comps. not spec.		
1B	863474	1	Feed pump		
				460	
2	866783	1	Bracket		
3		2	• Guide sleeve		
4	479696	2	• Screw		
5	940097	2	• Washer		
6	479696	2	Screw		
7	940097	2	Washer		
8	478964	1	Oil return pipe, oil drain		
9	942007	1	Hollow screw		
10	11998	1	Gasket		
11	942703	1	Gasket		
12	25167	1	Hollow screw		
13	969011	2	Gasket		
14	865760	1	Pipe		
15	866933	1	Pipe		
16	25167	1	Hollow screw		
16A	16496	1	Hollow screw		
17	969011	4	Gasket		
17A	15304	1	Gasket		
18	35096	1	Overflow valve		
19	865737	2	Fuel hose		
20	956969	4	• Ferrule		
21	956983	4	• Nut		
22	955566	4	Screw		
23	940280	4	Spring washer		
24	940156	4	Screw		
25	190509	4	Washer		
26	404279	3	Clamp		
26A	965545	1	Bracket		
27	950048	2	Screw		
28	955825	2	Nut		
29	969299	1	Hollow screw		
30	11994	2	Gasket		
31	479178	1	Pipe		
32	954386	1	Fitting		
33	954357	1	Cap nut		
34	954365	1	Fitting		
35	18368	1	Clamp		
36	422525	1	Attaching lug		
37	1676832	1	Filter housing		
38	471177	1	• Screw, air venting		
39	947620	1	• Gasket		
40	968062	3	Plug		
41	940162	2	Screw		
42	960142	2	Washer		
43	946420	2	Lock nut		
44	1544859	1	Bracket		
44A	942402	3	Flange screw		
45	3825133	2	Fuel filter		(466987)
46	477173	1	Pressure equalizer		
47	969011	1	Gasket		
48	479676	1	Pipe		
49	479678	1	Pipe		
50	479559	1	Bracket		
51	479561	1	Clamp	SO	
51A	948211	1	Strip clamp		
52	965175	2	Screw		

TAD1030P

REF	PART NO.	QTY	DESCRIPTION	SEE SEC.	NOTES
53	978197	1	Hollow screw		
54	1678297	1	Spacer sleeve		
55	25167	3	Hollow screw		
56	969011	9	Gasket		
57		2	Screwwater pump	1025	
58		2	Washerwater pump	1025	
59		1	Oil feed pipecylinder block	998	
60	48634	1	Hollow screw		
61	947281	2	Gasket		
62	952623	3	Clamp		
63	950045	2	Screw		
64		1	Connectorcylinder block	998	
65		1	Connectorleak off line	921	