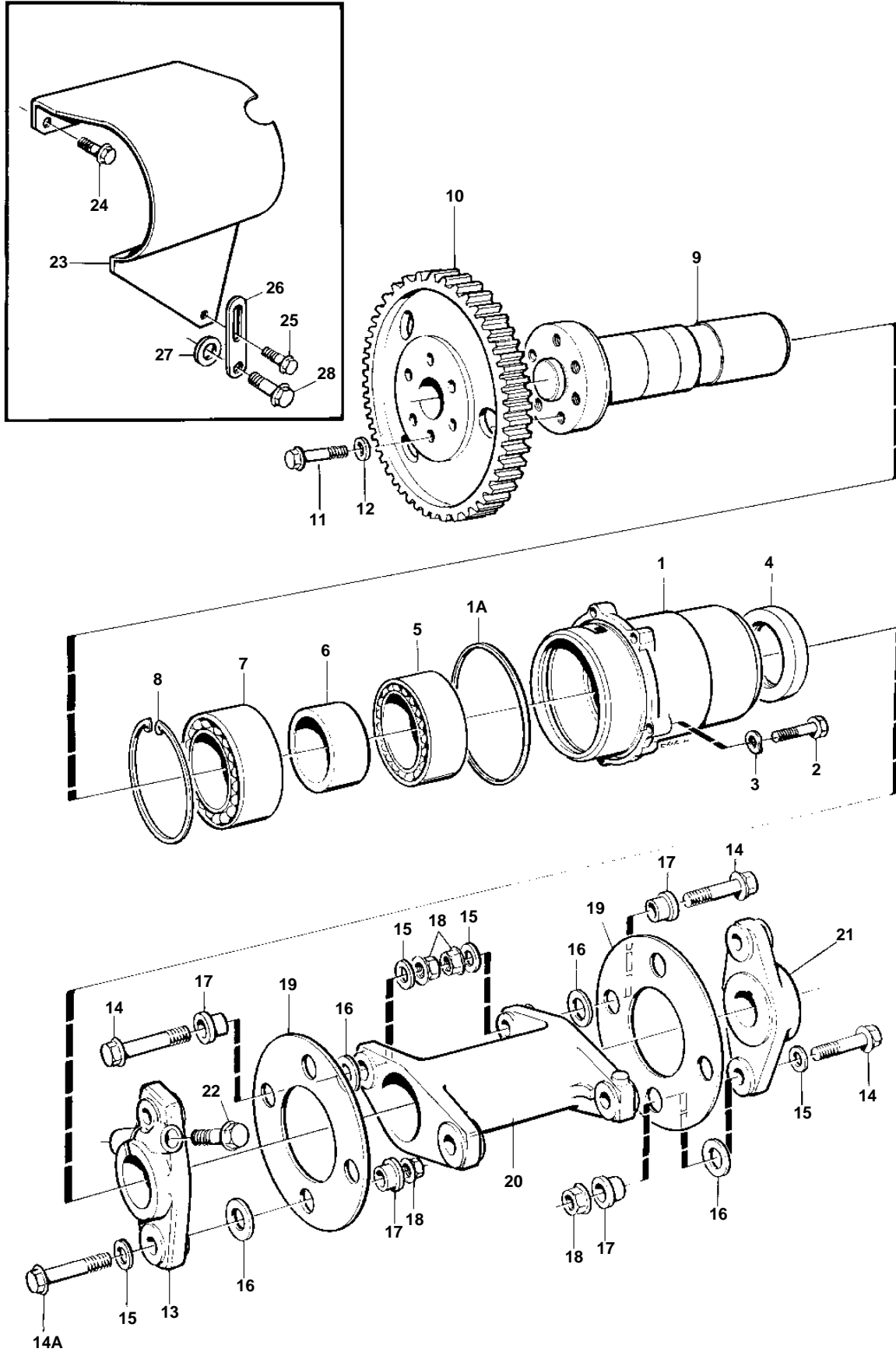


TAD1030G, TAD1030P



TAD1030G, TAD1030P

| REF | PART NO. | QTY | DESCRIPTION | SEE SEC. | NOTES |
|-----|----------|-----|-----------------------|----------|---------------------|
| 1 | 478799 | 1 | Bearing housing | | |
| 1A | 423123 | 1 | Sealing ring | | |
| 2 | 940159 | 5 | Screw | | |
| 3 | 941907 | 5 | Spring washer | | |
| 4 | 1546221 | 1 | Sealing ring | | |
| 5 | 11014 | 1 | Ball bearing | | |
| 6 | 1546132 | 1 | Stop ring | | |
| 7 | 184788 | 1 | Ball bearing | | |
| 8 | 914540 | 1 | Lock ring | | |
| 9 | 478411 | 1 | Axle shaft | | |
| 10 | 478429 | 1 | Gear, nitrocarburized | | |
| 11 | 471534 | 6 | Screw | | |
| 12 | 942385 | 6 | Disc spring | | |
| 13 | 1556186 | 1 | Companion flange | | |
| 14 | 965185 | 6 | Flange screw | | |
| 14A | 965220 | 2 | Flange screw | | |
| 15 | 976945 | 8 | Washer | | |
| 16 | 479399 | 8 | Washer | | |
| 17 | 478897 | 8 | Sleeve | | |
| 18 | 971095 | 8 | Nut | | |
| 19 | 479458 | 8 | Disc | | |
| 20 | 1543804 | 1 | Intermediate section | | |
| 21 | 1547351 | 1 | Companion flange | | |
| 22 | 1556285 | 1 | Screw | | |
| 23 | 866075 | 1 | Pump coupling guard | OP | |
| 24 | 965175 | 1 | Screw | | |
| 25 | 946544 | 1 | Flange screw | | |
| 26 | 849138 | 1 | Bracket | | |
| 27 | 847237 | 1 | Sleeve | | TH = 5,0mm, NOT STD |
| 28 | | 1 | Screwengine mounts | 746 | |