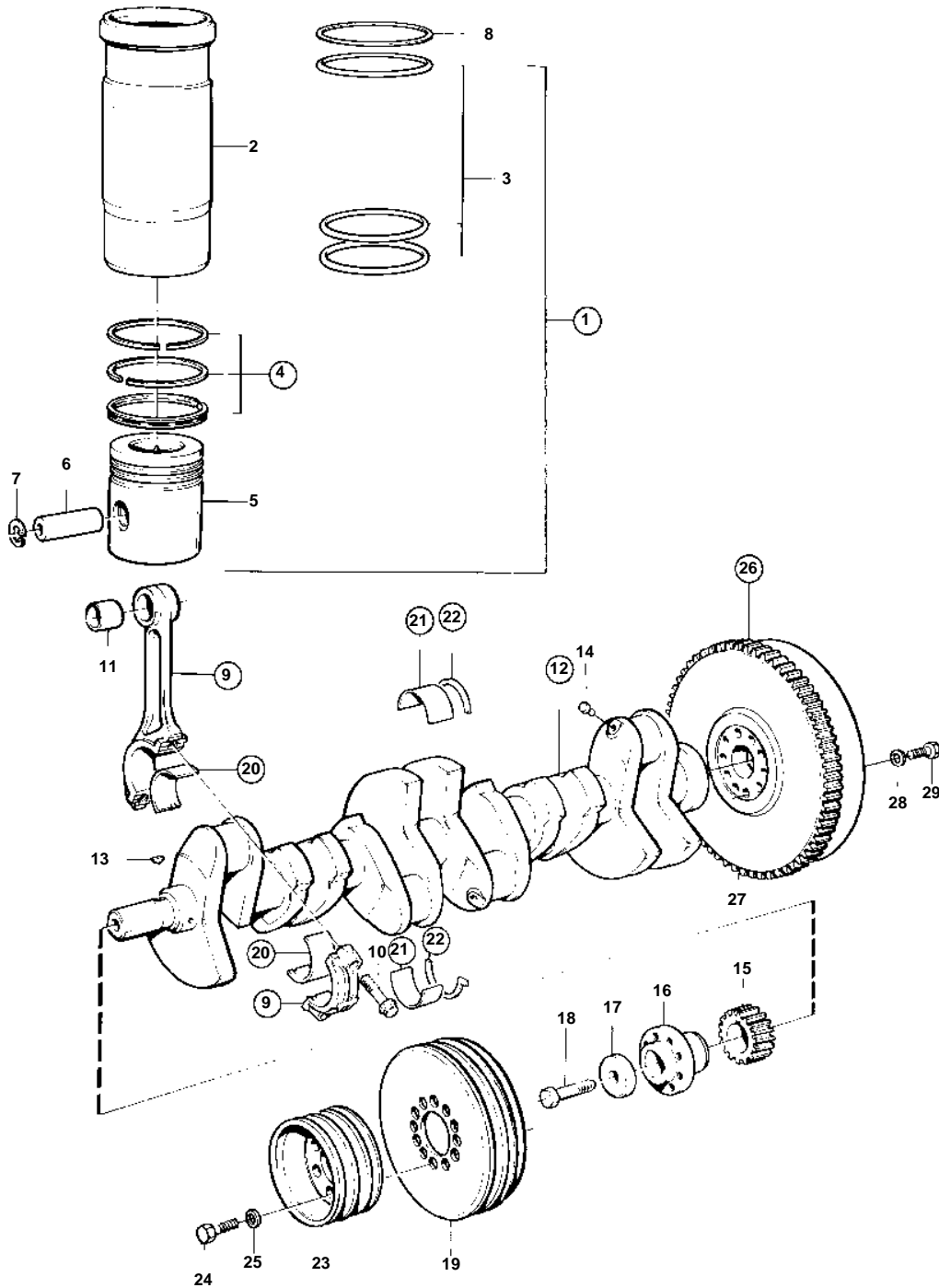


TAD1030P



15200

TAD1030P

| REF | PART NO. | QTY | DESCRIPTION | SEE SEC. | NOTES |
|-----|----------|-----|------------------------------|----------|----------------------------|
| 1 | 876620 | 6 | Cylinder liner kit | | |
| 2 | 479380 | 6 | · Cylinder liner | | |
| 3 | 271157 | 6 | · Sealing ring kit | | |
| 4 | 876296 | 6 | · Piston ring kit | | |
| 5 | | 6 | · Piston | | |
| 6 | 479873 | 6 | · Piston pin | | |
| 7 | 417466 | 12 | · Lock ring | | |
| 8 | 422619 | X | Shim | | TH=0,20mm |
| | 422620 | X | Shim | | TH = 0,30mm |
| | 422621 | X | Shim | | TH = 0,50mm |
| 9 | 846731 | 6 | Connecting rod | | CLASSIFIED |
| 10 | 1545479 | 12 | · Screw | | |
| 11 | 1545302 | 6 | · Bushing | | |
| 12 | 848767 | 1 | Crankshaft | | CLASSIFIED |
| | | | 10 hole for flywheel | | |
| | 3826009 | 1 | Crankshaft | | (3825697) CLASSIFIED |
| | | | 14 hole for flywheel | | |
| 13 | 422253 | 1 | · Woodruff key | | |
| 14 | 978130 | 6 | · Plug | | |
| 15 | 423080 | 1 | Crankshaft gear | | |
| | | | Bulletin 45-01 | 45-01-EN | Timing Gears, 71, 100, 121 |
| 16 | 424958 | 1 | Hub | | |
| 17 | 422124 | 1 | Washer | | |
| 18 | 941494 | 1 | Screw | | |
| 19 | 866135 | 1 | Vibration damper | | |
| 20 | 270124 | 6 | Big end bearing kit | | STD D |
| | 270125 | 6 | Big end bearing kit | | 0,25mmU.S |
| | 270126 | 6 | Big end bearing kit | | 0,50mm UNDER SIZE |
| | 270127 | 6 | Big end bearing kit | | U.S=0,75mm |
| | 270128 | 6 | Big end bearing kit | | U.S=1,00mm |
| | 270129 | 6 | Big end bearing kit | | U.S=1,25mm |
| 21 | 270438 | 7 | Main bearing kit | | STD D |
| | 270439 | 7 | Main bearing kit | | 0,25mmU.S |
| | 270440 | 7 | Main bearing kit | | 0,50mm UNDER SIZE |
| | 270441 | 7 | Main bearing kit | | U.S=0,75mm |
| | 270442 | 7 | Main bearing kit | | U.S=1,00mm |
| | 270443 | 7 | Main bearing kit | | U.S=1,25mm |
| 22 | 276758 | 1 | Thrust washer kit | | STD D |
| | 276759 | 1 | Thrust washer kit | | O.S=0,10mm |
| | 276760 | 1 | Thrust washer kit | | O.S=0,20mm |
| | 276761 | 1 | Thrust washer kit | | O.S=0,30mm |
| 23 | 468187 | 1 | Pulley | | HC50x3 GROOVES |
| | 847367 | 1 | Pulley | | HC50x6 GROOVES |
| 24 | 955549 | 6 | Screw, 7/16UNCx45mm | | FOR 468187 |
| | 955551 | 12 | Screw, 7/16UNCx57mm | | FOR 847367 |
| 25 | 941909 | 6 | Spring washer | | FOR 468187 |
| | 941909 | 12 | Spring washer | | FOR 847367 |
| 26 | 864402 | 1 | Flywheel, 10 hole | | |
| | | | Bulletin 46-07 | 46-07-EN | Crankshaft/Flywheel |
| 26 | 864997 | 1 | Flywheel, 14 hole | | |
| 27 | 420794 | 1 | · Gear ring | | |
| 28 | 467773 | 10 | Washer, 10 hole for flywheel | | |
| | 467773 | 14 | Washer, 14 hole for flywheel | | |
| 29 | 478717 | 10 | Screw, 10 hole for flywheel | | |
| | 478717 | 14 | Screw, 14 hole for flywheel | | |