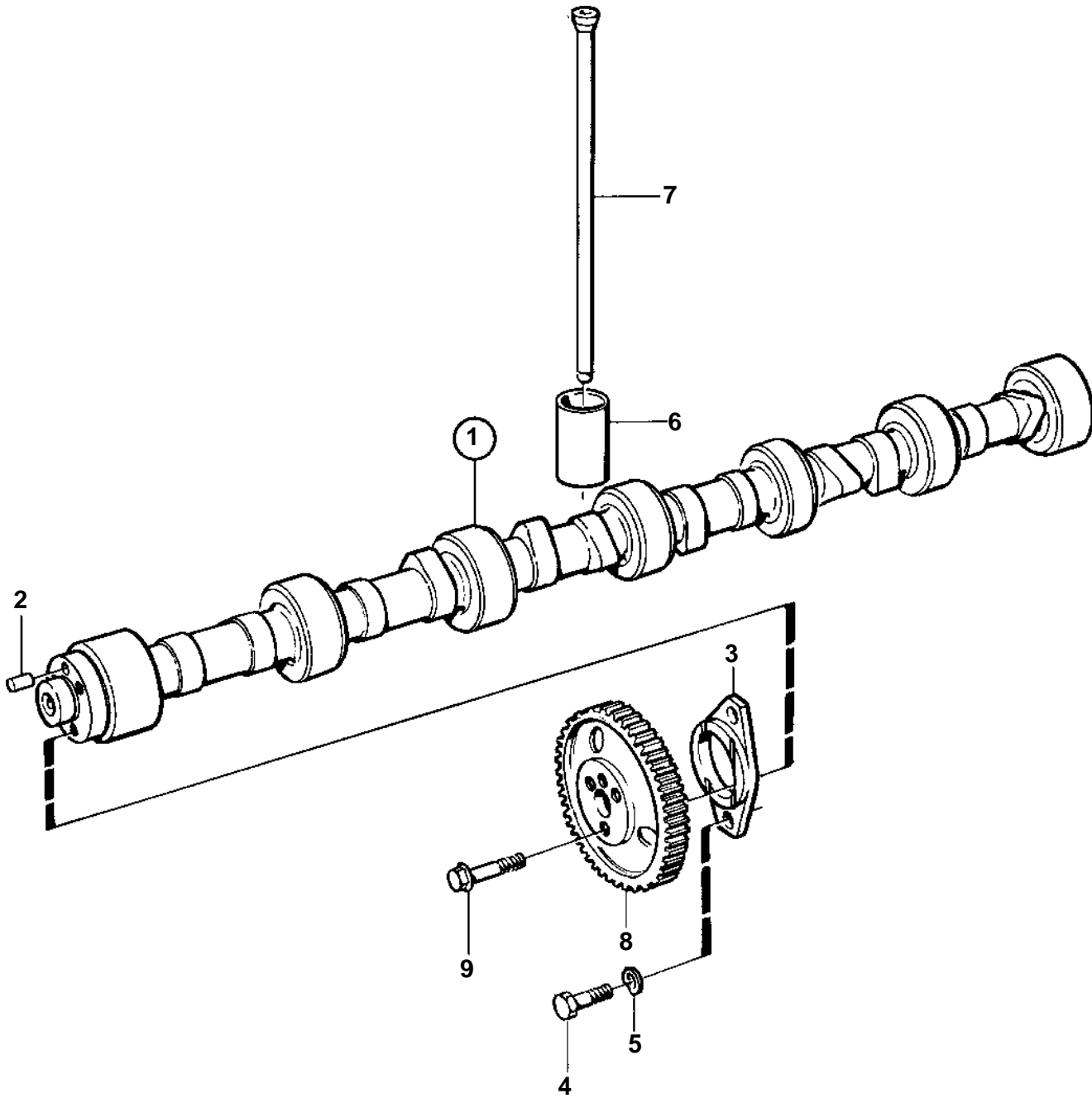


TAD1030P



15012

TAD1030P

REF	PART NO.	QTY	DESCRIPTION	SEE SEC.	NOTES
1	479450	1	Camshaft		
2	950588	1	• Pin		
3	469324	1	Flange		
4	940115	2	Screw		
5	942336	2	Spring washer		
6	479031	12	Lifter		
7	467820	12	Push rod		
8	478297	1	Gear, nitrocarburized		
			Bulletin 45-01	45-01-EN	Timing Gears, 71, 100, 121
9	471555	3	Screw		