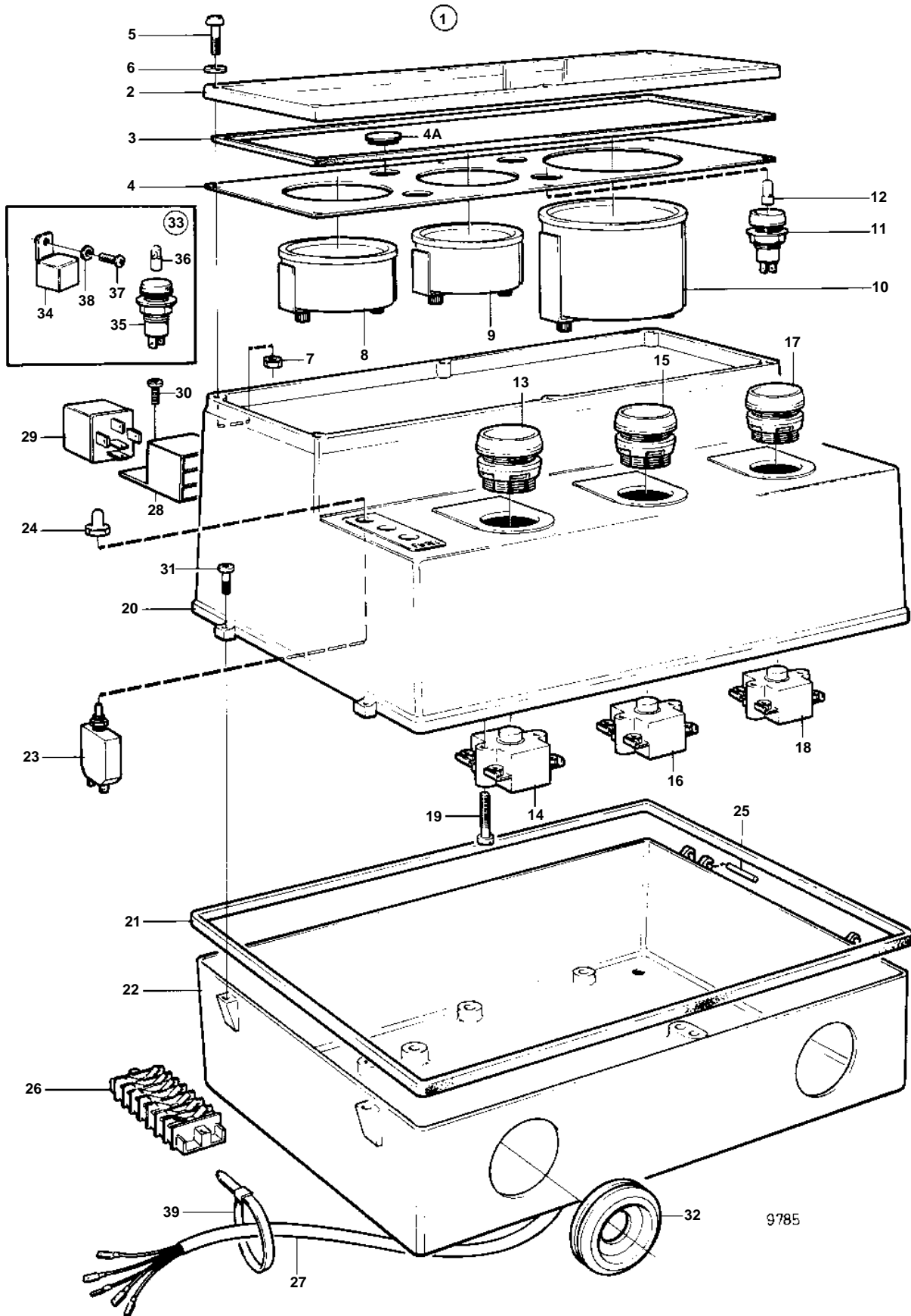


COMMON



## COMMON

| REF | PART NO. | QTY | DESCRIPTION                        |        | NOTES                                   |
|-----|----------|-----|------------------------------------|--------|---|
| 1   |          | 1   | Instrument panel                   | NS     |   |
| 2   | 849842   | 1   | · Cover glass                      |        |   |
| 3   | 849885   | 1   | · Sealing strip                    |        |   |
| 4   | 863800   | 1   | · Instrument panel                 |        |   |
| 4A  |          | 3   | · Protecting plug                  |        |   |
| 5   | 849963   | 6   | · Screw                            |        |   |
| 6   | 862501   | 6   | · Gasket                           |        |   |
| 7   | 965483   | 6   | · Nut                              |        |   |
| 8   | 849849   | 1   | · Oil pressure gauge, oil-pressure | 24V    |   |
| 9   | 849848   | 1   | · Thermometer, temperature         | 24V    |   |
| 10  | 854908   | 1   | · Tachometer, hour/tachometer      | 24V    |   |
| 11  | 849966   | 1   | · Bulb socket                      |        | Warning lamp, charging.                 |
| 12  | 182034   | 1   | · Bulb                             |        |   |
| 13  | 863102   | 1   | · Push button                      |        | RED                                     |
| 14  | 863115   | 1   | · Switch                           |        | GREEN-RED                               |
| 15  | 863104   | 1   | · Push button                      |        | BLACK                                   |
| 16  | 863115   | 1   | · Switch                           |        | GREEN-RED                               |
| 17  | 863103   | 1   | · Push button                      |        | GREEN                                   |
| 18  | 863116   | 1   | · Switch                           |        | GREEN                                   |
| 19  | 956063   | 6   | · Screw                            |        |   |
| 20  | 849838   | 1   | · Cover                            |        |   |
| 21  | 849840   | 1   | · Sealing strip                    |        |   |
| 22  | 849839   | 1   | · Box                              |        |   |
| 23  | 968821   | 1   | · Fuse                             | 16A    |   |
|     | 966689   | 2   | · Fuse                             | 8A     |   |
| 24  | 862006   | 3   | · Protective cap                   |        |   |
| 25  | 951967   | 2   | · Spring pin                       |        |   |
| 26  | 849992   | 1   | · Terminal block                   | 5-POLE |   |
|     | 849993   | 2   | · Terminal block                   | 7-POLE |   |
| 27  | 862137   | 1   | · Cable trunk                      |        |   |
| 28  | 946556   | 3   | · Housing                          |        |   |
| 29  | 1504951  | 2   | · Relay                            | 24V    |   |
| 30  | 956074   | 3   | · Screw                            |        |   |
| 31  | 862281   | 2   | · Screw                            |        |   |
| 32  | 943920   | 1   | · Protecting plug                  |        |   |
| 33  |          |     | · Alarm separator                  |        |   |
| 34  | 863724   | 1   | · Alarm separator                  |        |   |
| 35  | 863721   | 1   | · Bulb socket                      |        | Warning lamp, low coolant level.        |
|     | 863722   | 1   | · Bulb socket                      |        | Warning lamp, low oil pressure.         |
|     | 863723   | 1   | · Bulb socket                      |        | Warning lamp, high coolant temperature. |
| 36  | 182034   | 3   | · Bulb                             |        |   |
| 37  |          | 1   | · Cross recessed screw             |        |   |
| 38  | 955892   | 1   | · Washer                           |        |   |
| 39  | 948211   | X   | Strip clamp                        |        |   |