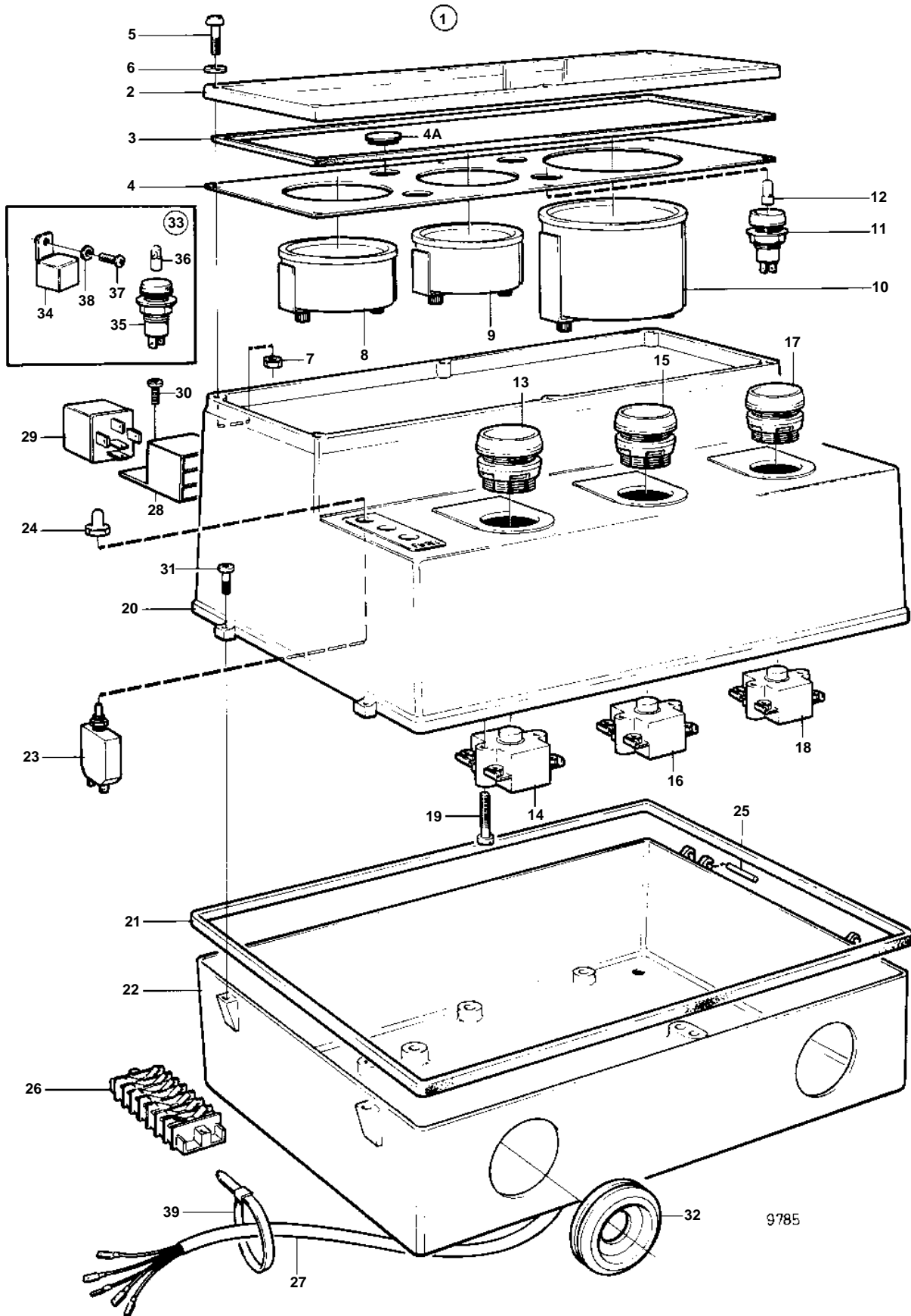


COMMON



COMMON

REF	PART NO.	QTY	DESCRIPTION		NOTES
1		1	Instrument panel	NS	
2	849842	1	· Cover glass		
3	849885	1	· Sealing strip		
4	863800	1	· Instrument panel		
4A		3	· Protecting plug		
5	849963	6	· Screw		
6	862501	6	· Gasket		
7	965483	6	· Nut		
8	849849	1	· Oil pressure gauge, oil-pressure	24V	
9	849848	1	· Thermometer, temperature	24V	
10	854908	1	· Tachometer, hour/tachometer	24V	
11	849966	1	· Bulb socket		Warning lamp, charging.
12	182034	1	· Bulb		
13	863102	1	· Push button		RED
14	863115	1	· Switch		GREEN-RED
15	863104	1	· Push button		BLACK
16	863115	1	· Switch		GREEN-RED
17	863103	1	· Push button		GREEN
18	863116	1	· Switch		GREEN
19	956063	6	· Screw		
20	849838	1	· Cover		
21	849840	1	· Sealing strip		
22	849839	1	· Box		
23	968821	1	· Fuse	16A	
	966689	2	· Fuse	8A	
24	862006	3	· Protective cap		
25	951967	2	· Spring pin		
26	849992	1	· Terminal block	5-POLE	
	849993	2	· Terminal block	7-POLE	
27	862137	1	· Cable trunk		
28	946556	3	· Housing		
29	1504951	2	· Relay	24V	
30	956074	3	· Screw		
31	862281	2	· Screw		
32	943920	1	· Protecting plug		
33			· Alarm separator		
34	863724	1	· Alarm separator		
35	863721	1	· Bulb socket		Warning lamp, low coolant level.
	863722	1	· Bulb socket		Warning lamp, low oil pressure.
	863723	1	· Bulb socket		Warning lamp, high coolant temperature.
36	182034	3	· Bulb		
37		1	· Cross recessed screw		
38	955892	1	· Washer		
39	948211	X	Strip clamp		