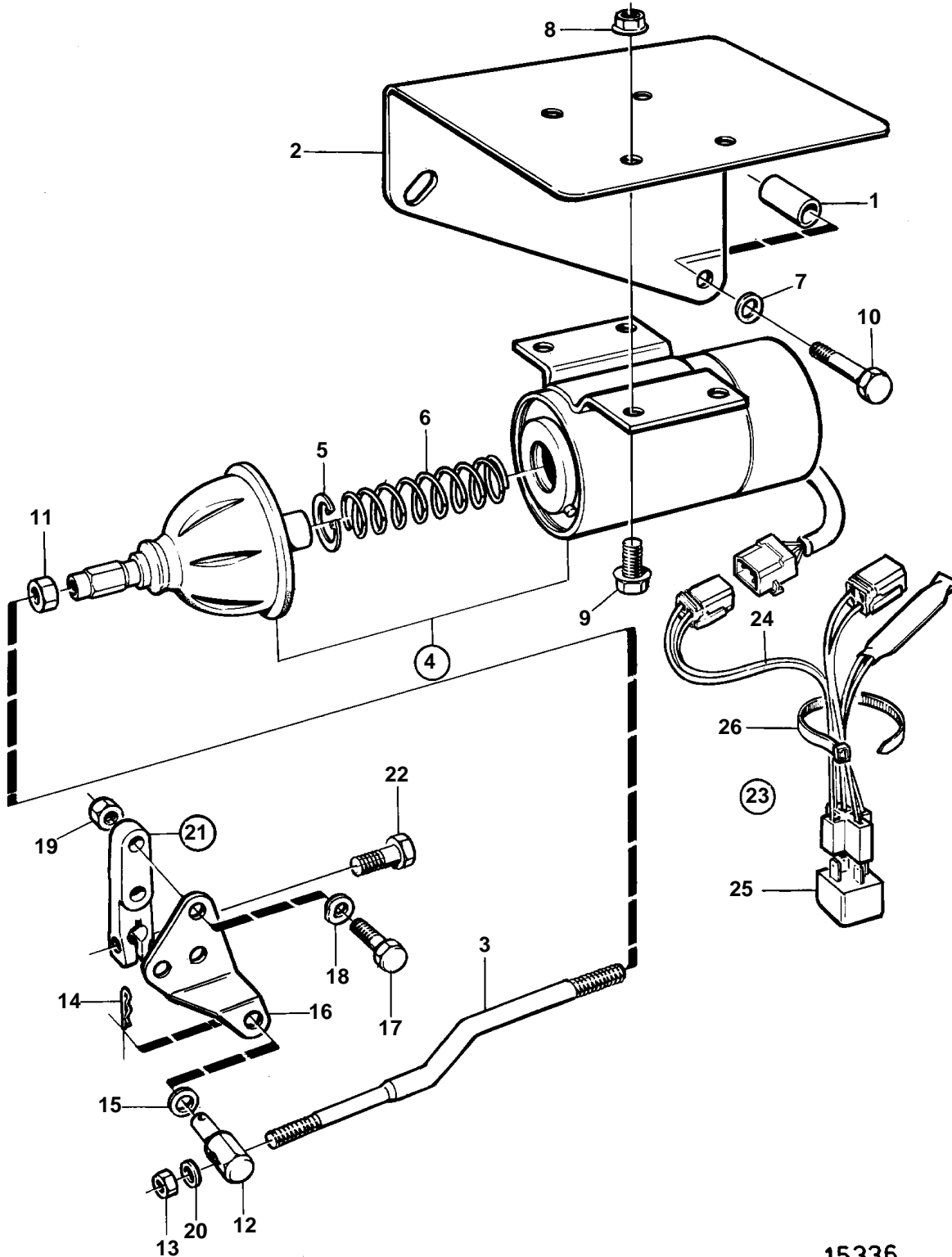


TAD1030P



15336

TAD1030P

REF	PART NO.	QTY	DESCRIPTION	SEE SEC.	NOTES
1	821540	2	Spacer sleeve		
2	849462	1	Bracket		
3	863450	1	Control rod		
4	872827	1	Stop solenoid		Replaced as a spare part by control solenoid kit 876593. 24V.
	876593	1	Control magnet kit		Replaced by control solenoid kit 876836-8 and cable harness 873638-1.
5		1	• Snap ring		
6	847333	1	• Return spring		TH=2,0mm
7	940097	2	Washer		
8	968862	4	Nut		(945408)
9	946440	4	Flange screw		
10	955536	2	Screw		
11	955782	1	Nut		
12	849653	1	Cube		
13	955781	1	Nut		
14	664822	1	Lock spring		
15	69556	1	Spring washer		
16	847189	1	Lever		
17	955271	2	Screw		
18	949607	2	Spring washer		
19	955781	2	Nut		
20	955892	1	Washer		
21		1	Leverfuel inj. pump	1109	
22		1	• Screw		
23	872933	1	Timer relay kit		
24	872932	1	• Adapter		
25	9518230	1	• Relay		(4786690)
26	948210	1	• Strip clamp		
	949666	1	• Strip clamp, with mount. hole		