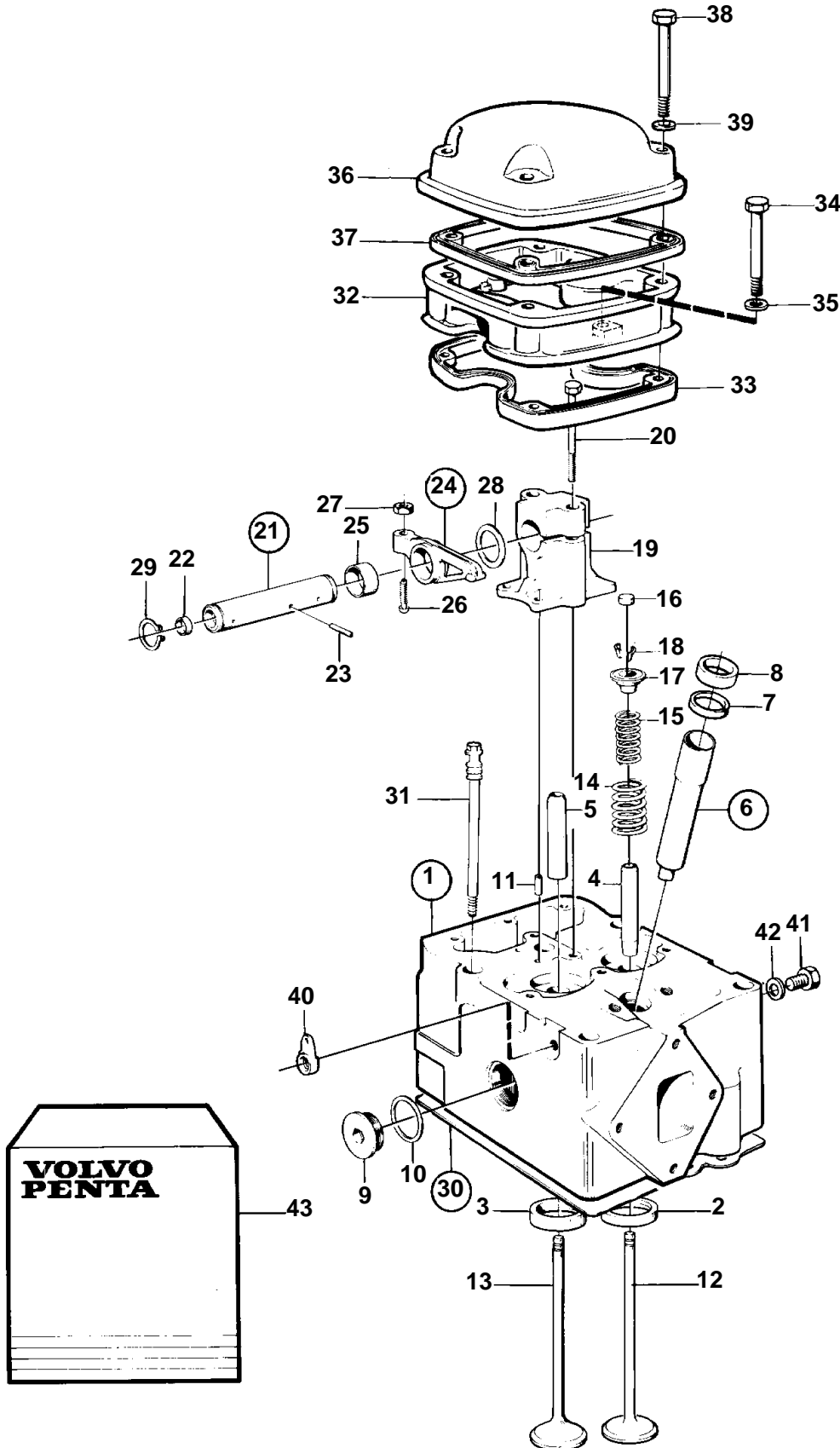


TAD1030GE



15318

TAD1030GE

REF	PART NO.	QTY	DESCRIPTION	NOTES
1	8194448	6	Cylinder head	
	3803287	6	Cylinder head, exch, exch	
2	467474	6	· Valve seat, intake	STD D
	467590	6	· Valve seat, intake	O.S=0,20mm
3	1545886	6	· Valve seat, exhaust	STD D
	1545885	6	· Valve seat, exhaust	O.S=0,20mm
4	422320	6	· Valve guide, intake	SN-2100287585
	1545135	6	· Valve guide, intake	SN2100287586-
5	1545135	6	· Valve guide, exhaust	
6	270946	6	· Copper sleeve kit	
7	466405	6	· · Rubber ring	
8	466420	6	· · Steel ring	
9	467365	12	· Plug	SN-2100287585
	8194467	12	· Plug	SN2100287586-
10	469327	12	· Gasket	SN-2100287585
	949762	12	· O-ring	SN2100287586-
11	950543	12	· Pin	
12	479204	6	Inlet valve	
13	467855	6	Exhaust valve	
14	467334	12	Valve spring	
15	467335	12	Valve spring	
16	478074	12	Valve cap	Included in gasket kit, decarbonizing 276035.
17	467506	12	Washer	
18	468305	24	Valve collet	
19	422018	6	Bearing bracket	
20	422428	12	Screw	
21	422019	6	Shaft	
22	946778	12	· Cap plug	
23	950499	6	· Pin	
24	422063	12	Rocker arm	
25	422066	12	· Bushing	
26	422993	12	· Ball stud	
27	940175	12	· Nut	
28	941488	12	Washer	
29	914459	12	Lock ring	
30	270789	6	Gasket kit	
		6	· Gasket	
	422415	12	· Sealing ring	I.D=17,5mm
	422414	12	· Sealing ring	I.D=31,5mm
	422413	6	· Sealing ring	I.D=10,5mm
31	422086	24	Flange screw	
32	469431	6	Valve cover	
33	424693	6	Gasket	Included in gasket kit, decarbonizing 276035.
34	940159	12	Screw	
35	955894	12	Washer	
36	469432	6	Valve cover	
37	424694	6	Gasket	Included in gasket kit, decarbonizing 276035.
38	955530	24	Screw	
39	941907	24	Spring washer	Included in gasket kit, decarbonizing 276035.
40	479260	6	Seal	Included in gasket kit, decarbonizing 276035.
41	941876	1	Plug	
42	18666	1	Gasket	
43	276035	1	Gasket kit, decarbonizing	