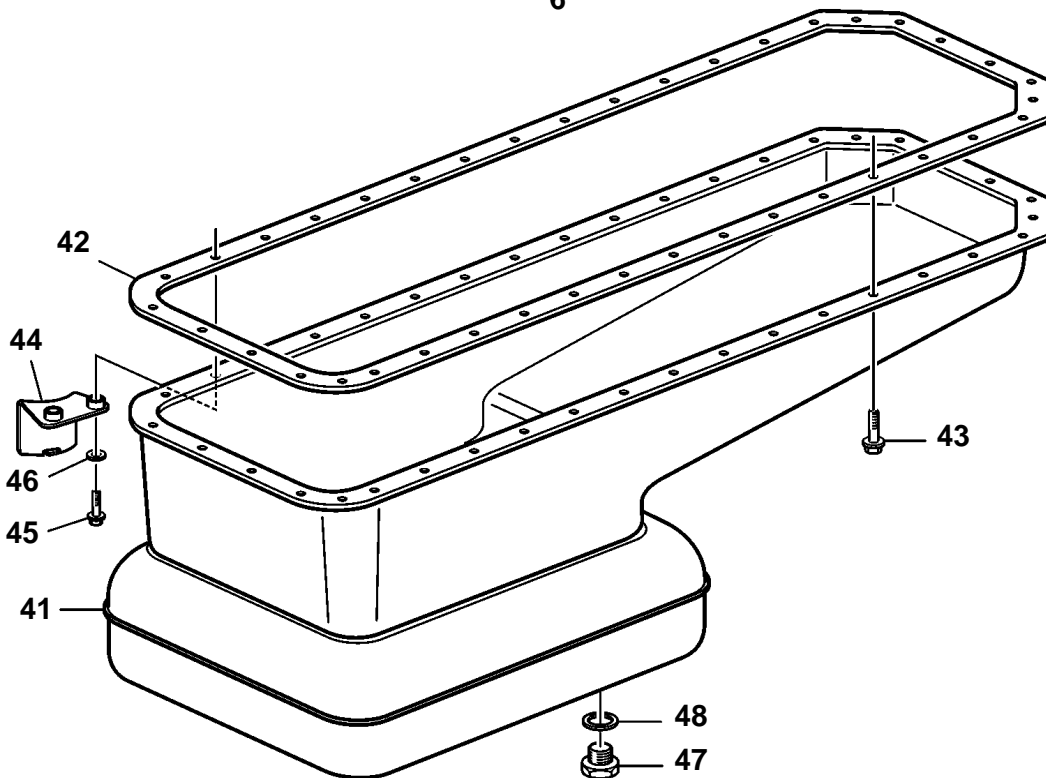
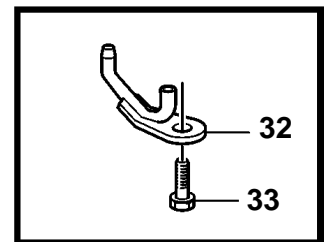
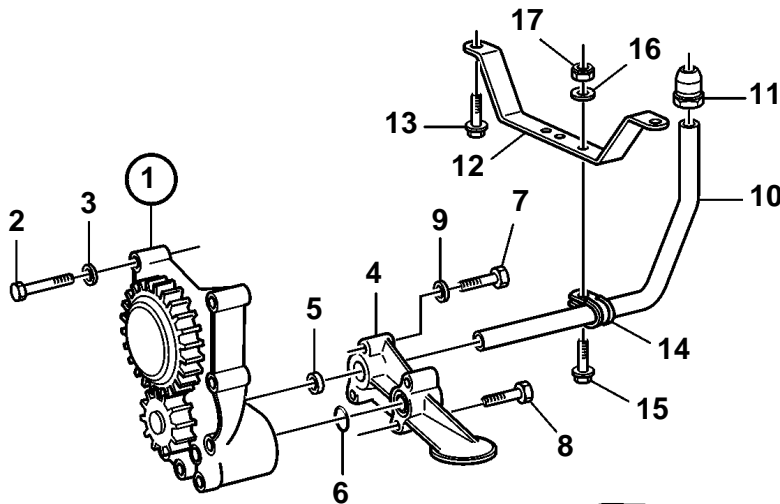
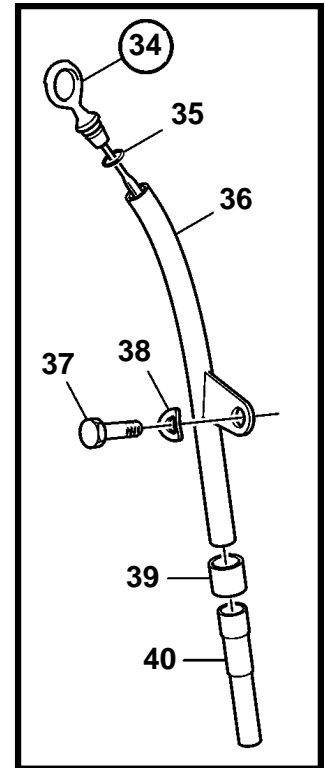
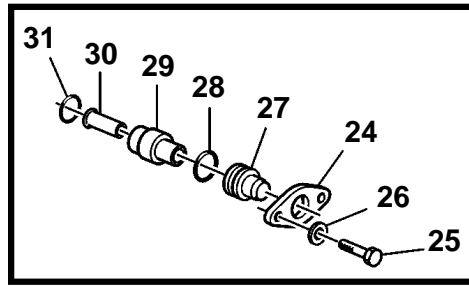
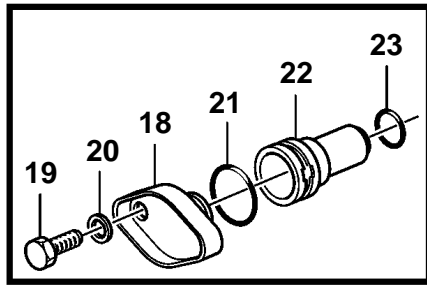


TAD1030GE, TAD1031GE, TAD1032GE



21085

TAD1030GE, TAD1031GE, TAD1032GE

REF	PART NO.	QTY	DESCRIPTION	SEE SEC.	NOTES
1	479317	1	Oil pump		
				105	
2	955538	4	Screw		
3	942336	4	Spring washer		
4	479325	1	Oil pump screen		
5	470263	1	Sealing ring		
6	949659	1	O-ring		
7	949886	2	Screw		
8	959794	2	Screw		
9	941907	2	Spring washer		
10	1545828	1	Tube		
11	466908	1	Fitting		
12	470918	1	Bracket		
13	942402	2	Flange screw		
14	1545432	1	Clamp		
15	942402	1	Flange screw		
16	941907	1	Spring washer		
17	955826	1	Nut		
18	471752	1	Cover		
19	940100	2	Screw		
20	941906	2	Spring washer		
21	949658	1	O-ring		
22	471707	1	Reducing valve		YELLOW
23	469846	1	Sealing ring		
24	424714	1	Flange		
25	955513	2	Screw		
26	941906	2	Spring washer		
27	424715	1	Plug		
28	949657	1	O-ring		
29	422836	1	Valve, piston cooling		
30	424801	1	Pipe		
31	949656	1	O-ring		
32	864374	6	Oil jet, piston cooling		
33	948587	6	Lock screw		
34	478624	1	Oil dipstick		
35	949187	1	O-ring		
36	479302	1	Tube		
37	940100	1	Screw		
38	941906	1	Spring washer		
39	191512	1	Hose		L=40mm
40	3586088	1	Tube		(467235)
41	1545840	1	Oil pan		
42	1545696	1	Gasket		
43	942402	39	Flange screw		
44	467916	1	Bracket, Oil cooler		
45	955525	2	Screw		
46	941907	2	Spring washer		
47	949175	1	Magnetic plug		
48	18813	1	Gasket		